



# ES-NFB814AWC-EE

Washing Machine

EN User Manual

HU Használati útmutató

SI Uporabniški priročnik

CZ Návod k použití






**SHARP**

Be Original.

## Thank you for choosing this product.

This User Manual contains important safety information and instructions on the operation and maintenance of your appliance.

Please take the time to read this User Manual before using your appliance and keep this book for future reference.

Icon	Type	Meaning
	<b>WARNING</b>	Serious injury or death risk
	<b>RISK OF ELECTRIC SHOCK</b>	Dangerous voltage risk
	<b>FIRE</b>	Warning; Risk of fire / flammable materials
	<b>CAUTION</b>	Injury or property damage risk
	<b>IMPORTANT / NOTE</b>	Operating the system correctly

# CONTENTS

<b>1.SAFETY INSTRUCTIONS</b> .....	<b>1</b>
1.1 General Safety Warnings .....	2
1.2 During Use .....	6
1.3 Packaging and Environment.....	7
1.4 Savings Information.....	8
<b>2.TECHNICAL SPECIFICATIONS</b> .....	<b>9</b>
2.1 Technical Specifications .....	9
<b>3.INSTALLATION</b> .....	<b>10</b>
3.1 Removing the Transit Bolts.....	10
3.2 Adjusting the Feet / Adjusting Adjustable Stays.....	10
3.3 Electrical Connection.....	10
3.4 Water Inlet Hose Connection.....	11
3.5 Water Discharge Connection.....	12
<b>4.CONTROL PANEL OVERVIEW</b> .....	<b>12</b>
4.1 Detergent Drawer .....	12
4.2 Sections .....	13
4.3 Program Dial.....	13
4.4 Electronic Display .....	13
<b>5.USING YOUR WASHING MACHINE</b> .....	<b>14</b>
5.1 Preparing Your Laundry.....	14
5.2 Putting Laundry in the Machine.....	14
5.3 Adding Detergent to the Machine .....	15
5.4 Operating Your Machine .....	15
5.5 Selecting a Programme.....	15
5.6 Half-Load Detection System.....	15
5.7 Additional Functions .....	16
5.8 Child Lock .....	18
5.9 Cancelling the Programme .....	19
5.10 Programme End .....	19
<b>6.PROGRAMME TABLE</b> .....	<b>20</b>
6.1 Important Informations.....	23
<b>7.CLEANING AND MAINTENANCE</b> .....	<b>24</b>
7.1 Warning .....	24
7.2 Water Inlet Filters .....	24
7.3 Pump Filter .....	25
7.4 Detergent Drawer .....	25
<b>8.Body / Drum</b> .....	<b>26</b>
<b>9.TROUBLESHOOTING</b> .....	<b>27</b>
<b>10.AUTOMATIC FAULT WARNINGS AND WHAT TO DO</b> .....	<b>28</b>

# 1. SAFETY INSTRUCTIONS

Operating voltage / frequency	(220-240) V~/50Hz
Total current (A)	10
Water pressure (Mpa)	Maximum 1 Mpa / Minimum 0. 1Mpa
Total power (W)	2100
Maximum washing capacity (dry laundry) (kg)	8

- Do not install your machine on a carpet or such grounds that would prevent the ventilation of its base.
- The appliance is not intended for use by people (including children) with reduced physical, sensory or mental capabilities, or lack of experience and knowledge unless they have been given supervision or instruction concerning use of the appliance by a person responsible for their safety.
- Children of less than 3 years should be kept away unless continuously supervised.
- Call the nearest authorized service centre for a replacement if the power cord malfunctions.
- Use only the new water inlet hose coming with your machine when making water inlet connections to your machine. Never use old, used or damaged water inlet hoses.
- Children should not play with the appliance. Cleaning and user maintenance should not be made by children without supervision.

**NOTE:** For a softcopy of this user manual, please contact the following address: “washingmachine@standardtest.info”. In your e-mail, please provide the model name and serial number (20 digits) which you can find on the appliance door.

**Read this user manual carefully.**

**Your machine is for domestic use only. Using it for commercial purposes will cause your warranty to be cancelled.**



**This manual has been prepared for more than one model therefore your appliance may not have some of the features described within. For this reason, it is important to pay particular attention to any figures whilst reading the operating manual.**

## **1.1 General Safety Warnings**


- The necessary ambient temperature for operation of your Washing Machine is 15-25 °C.
- Where the temperature is below 0 °C, hoses may split or the electronic card may not operate correctly.
- Please ensure that garments loaded into your Washing Machine are free from foreign objects such as nails, needles, lighters and coins.
- **It is recommended that for your first wash, you select the 90° Cotton programme without laundry and half fill compartment II of the detergent drawer with a suitable detergent.**
- Residue may build up on detergent and softeners

exposed to air for a long period of time. Only put softener or detergent in the drawer at the beginning of each wash.

- Unplug your Washing Machine and switch off the water supply if the Washing Machine is left unused for a long time. We also recommend that you leave the door open to prevent build up of humidity inside the Washing Machine.
- Some water may be left in your Washing Machine as a result of quality checks during production. This will not affect the operation of your Washing Machine.
- The packaging of the machine could be hazardous to children. Do not allow children to play with the packaging or small parts from the Washing Machine.
- Keep the packaging materials in a place where children cannot reach them, or dispose of them appropriately.
- Use pre-wash programs only for very dirty laundry.

 Never open the detergent drawer while the machine is running.

- In the event of a breakdown, unplug the machine from the mains supply and turn the water supply off. Do not attempt to carry out any repairs. Always contact an authorised service agent.
- Do not exceed the maximum load for the washing programme you have chosen.

 Never force the door open when your Washing Machine is running.

- Washing laundry containing flour may damage

your machine.

- Please follow the manufacturers' instructions regarding the use of fabric conditioner or any similar products that you intend to use in your Washing Machine.
- Make sure that the door of your Washing Machine is not restricted and can be opened fully.

Install your machine in a location that can be fully ventilated and preferably has constant air circulation.

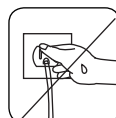
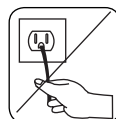
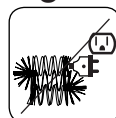
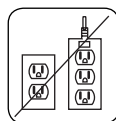
**⚠️ Read these warnings. Follow the advice given to protect yourself and others from risks and fatal injuries.**

## **RISK OF BURNS**

**⚠️** Do not touch the drain hose or any discharged water while your Washing Machine is running. The high temperatures involved pose a burn risk.

## **⚠️⚡ RISK OF DEATH FROM ELECTRICAL CURRENT**

- Do not connect your Washing Machine to the mains electricity supply using an extension lead.
- Do not insert a damaged plug into a socket.
- Never remove the plug from the socket by pulling the cord. Always hold the plug.
- Never touch the power cord/plug with wet hands as this could cause a short circuit or electric shock.
- Do not touch your Washing Machine if your hands or feet are wet.
- A damaged power cord/plug can cause fire or give you an electric shock. When damaged



it must be replaced, this should only be done by qualified personnel.

### **Risk of flooding**

- Check the speed of water flow before placing the drain hose in a sink.
- Take necessary measures to prevent the hose from slipping.
- Water flow may dislodge the hose if it is not properly secured. Make sure the plug in your sink does not block the plug hole.

### **Danger of Fire**

- Do not store inflammable liquids near your machine.
- The sulphur content of paint removers may cause corrosion. Never use paint removing materials in your machine.
- Never use products that contain solvents in your machine.
- Please ensure that garments loaded into your Washing Machine are free from foreign objects such as nails, needles, lighters and coins.

### **Risk of fire and explosion**

#### **Risk of falling and injury**

- Do not climb on your Washing Machine.
- Make sure hoses and cables do not cause a trip hazard.
- Do not turn your Washing Machine upside down or on its side.
- Do not lift your Washing Machine using the door or detergent drawer.



**⚠️ The machine must be carried by at least 2 people.**



**⚠️ Child safety**

- Do not leave children unattended near the machine. Children might lock themselves in the machine resulting in risk of death.
- Do not allow children to touch the glass door during operation. The surface becomes extremely hot and may cause damage to skin.
- Keep packaging material away from children.
- Poisoning and irritation may occur if detergent and cleaning materials are consumed or come into contact with the skin and eyes. Keep cleaning materials out of the reach of children.




## **1.2 During Use**

- Keep pets away from your machine.
- Please check the packaging of your machine before installation and the outer surface of the machine once the packaging has been removed. Do not operate the machine if it appears damaged or if the packaging has been opened.
- Your machine must only be installed by an authorised service agent. Installation by anyone other than an authorised agent may cause your warranty to be void.
- This appliance can be used by children aged 8 years and above and persons with reduced physical, sensory or mental capabilities or lack of experience and knowledge if they have been given supervision or instruction concerning use of the appliance in a safe way and understand the

hazards involved. Children shall not play with the appliance. Cleaning and user maintenance shall not be done by children without supervision.

- Only use your machine for laundry that is labelled as suitable for washing by the manufacturer.
- **Before operating the washing machine, remove the 4 transit bolts and rubber spacers from the rear of the machine. If the bolts are not removed they may cause heavy vibration, noise and malfunction of the machine and cause the guarantee to be void.**
- Your warranty does not cover damage caused by external factors such as fire, flooding and other sources of damage.
- Please do not throw away this user manual; keep it for future reference and pass it onto the next owner.

 **NOTE:** Specifications for the machine may vary depending on the product purchased.

Replacement of drive belt, only by authorized service.

Only original spare belt: 42006396 Optibelt 6 EPJ 1236

## 1.3 Packaging and Environment

### Removal of packaging materials

Packaging materials protect your machine from any damage that might occur during transportation. The packaging materials are environmentally friendly as they are recyclable. Use of recycled material reduces raw material consumption and decreases waste production.

## 1.4 Savings Information

Some important information to get the most efficient use out of your machine:

- Do not exceed the maximum load for the washing programme you have chosen. This will allow your machine to run in energy saving mode.
- Do not use the pre-wash feature for lightly soiled laundry. This will help you save on the amount of electricity and water consumed.

### CE Declaration of conformity

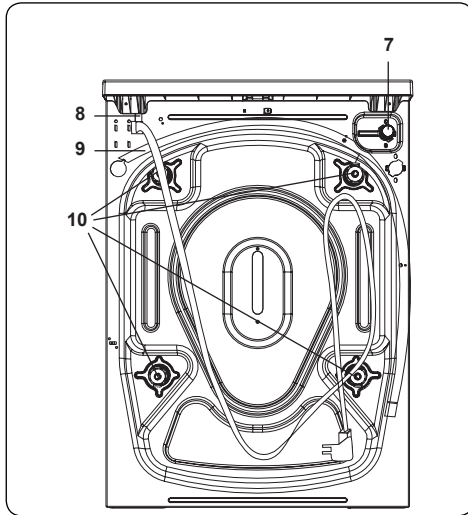
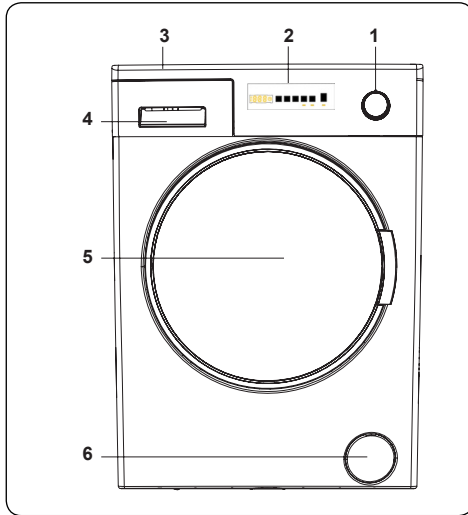
We declare that our products meet the applicable European Directives, Decisions and Regulations and the requirements listed in the standards referenced.

### Disposal of your old machine



The symbol on the product or on its packaging indicates that this product may not be treated as household waste. Instead it shall be handed over to the applicable collection point for the recycling of electrical and electronic equipment. By ensuring this product is disposed of correctly, you will help prevent potential negative consequences for the environment and human health, which could otherwise be caused by inappropriate waste handling of this product. For more detailed information about recycling of this product, please contact your local city office, your household waste disposal service or the shop where you purchased the product.

## 2. TECHNICAL SPECIFICATIONS



### General Appearance

1. Programme Dial
2. Electronic Display
3. Upper Tray
4. Detergent Drawer
5. Drum
6. Pump Filter Cover
7. Water Inlet Valve
8. Power Cable
9. Discharging Hose

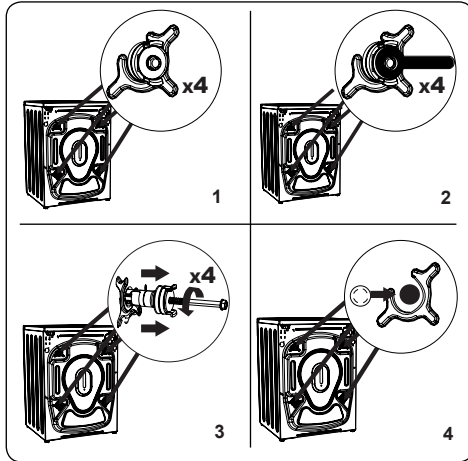
## 10. Transit Bolts

### 2.1 Technical Specifications

Operating voltage / frequency (V/Hz)	(220-240) V~/50Hz
Total current (A)	10
Water pressure (Mpa)	Maximum: 1 Mpa Minimum : 0.1 Mpa
Total power (W)	2100
Maximum dry laundry capacity (kg)	8
Spinning revolution (rev / min)	1400
Programme number	15
Dimensions (mm)	
Height	845
Width	597
Depth	527

### 3. INSTALLATION

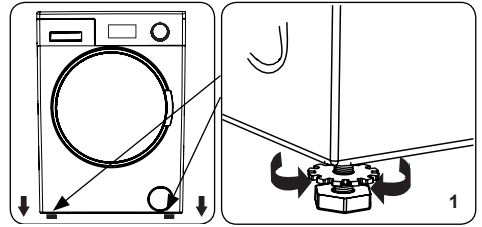
#### 3.1 Removing the Transit Bolts



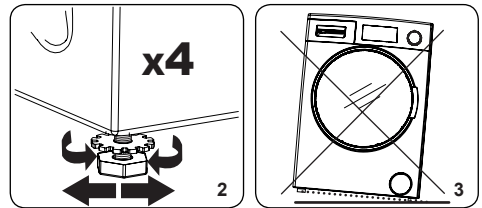
1. Before operating the washing machine, remove the 4 transit bolts and rubber spacers from the rear of the machine. If the bolts are not removed, they may cause heavy vibration, noise and malfunction of the machine and void the warranty.
2. Loosen the transit bolts by turning them anticlockwise with an appropriate spanner.
3. Remove the transit bolts with a straight pull.
4. Fit the plastic blanking caps supplied in the accessories bag into the gaps left by the removal of the transit bolts. The transit bolts should be stored for future use.

**NOTE:** Remove the transit bolts before using the machine for the first time. Faults occurring due to the machine being operated with transit bolts fitted are out of the scope of the warranty.

#### 3.2 Adjusting the Feet / Adjusting Adjustable Stays

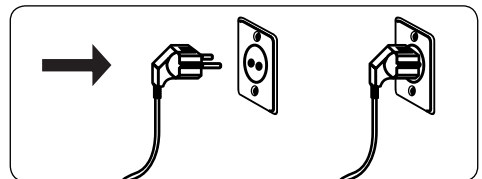


1. Do not install your machine on a surface (such as carpet) that would prevent ventilation at the base.
  - To ensure silent and vibration-free operation of your machine, install it on a firm surface.
  - You can level your machine using the adjustable feet.
  - Loosen the plastic locking nut.



2. To increase the height of the machine, turn the feet clockwise. To decrease the height of the machine, turn the feet anticlockwise.
  - Once the machine is level, tighten the locking nuts by turning them clockwise.
3. Never insert cardboard, wood or other similar materials under the machine to level it.
  - When cleaning the ground on which the machine is located, take care not to disturb the level of the machine.

#### 3.3 Electrical Connection

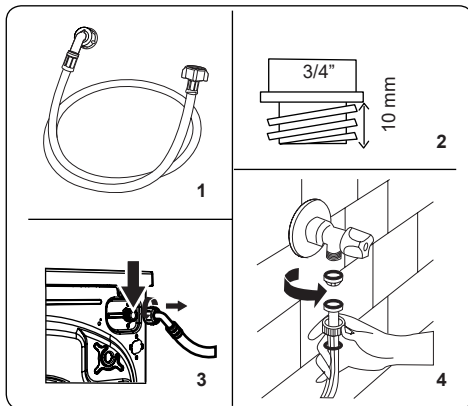


- Your Washing Machine requires a 220-240V, 50 mains supply.

- The mains cord of your washing machine is equipped with an earthed plug. This plug should always be inserted to an earthed socket of 10 amps.
- If you do not have a suitable socket and fuse conforming with this, please ensure the work is carried out by a qualified electrician.
- We do not take responsibility for damage that occurs due to the use of ungrounded equipment.

**NOTE:** Operating your machine with low voltage will cause the life cycle of your machine to be reduced and its performance to be restricted.

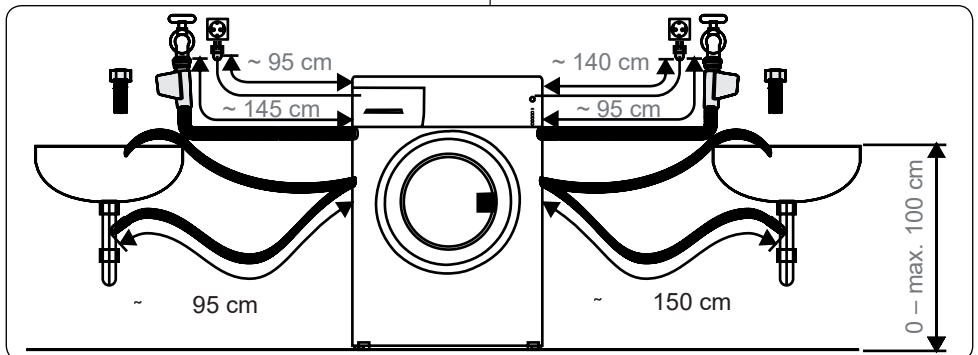
### 3.4 Water Inlet Hose Connection



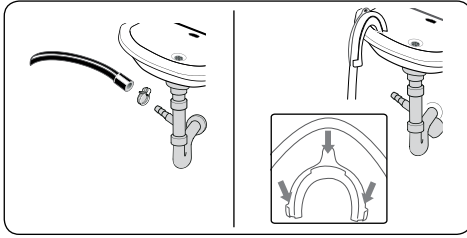
1. Your machine may have either a single water inlet connection (cold) or double water inlet connection (hot and cold) depending on the machine specifications. The white capped hose

- should be connected to cold water inlet and red capped hose to the hot water inlet (if applicable).
2. Connect new water inlet hoses to a  $\frac{3}{4}$  ", threaded tap.
    - Connect the white capped end of the water inlet hose to the white water inlet valve on the rear side of the machine and the red capped end of the hose to the red water inlet valve (if applicable).
    - Hand tighten the connections. If in any doubt, consult a qualified plumber.
    - Water flow with pressure of 0. 1-1 Mpa will allow your machine to operate at optimum efficiency (pressure of 0. 1 Mpa means that more than 8 litres of water per minute will flow through a fully opened tap).
  3. Once you have made all of the connections, carefully turn the water supply on and check for leaks.
  4. Ensure that the new water inlet hoses are not trapped, kinked, twisted, folded or crushed.
    - If your machine has a hot water inlet connection, the temperature of the hot water supply should not be higher than 70°C.

**NOTE:** Your Washing Machine must only be connected to your water supply using the supplied new fill hose. Old hoses must not be reused.

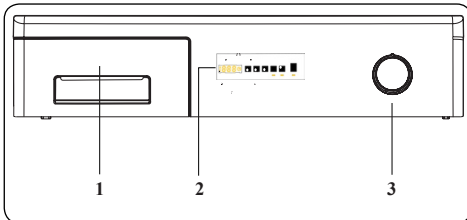


### 3.5 Water Discharge Connection



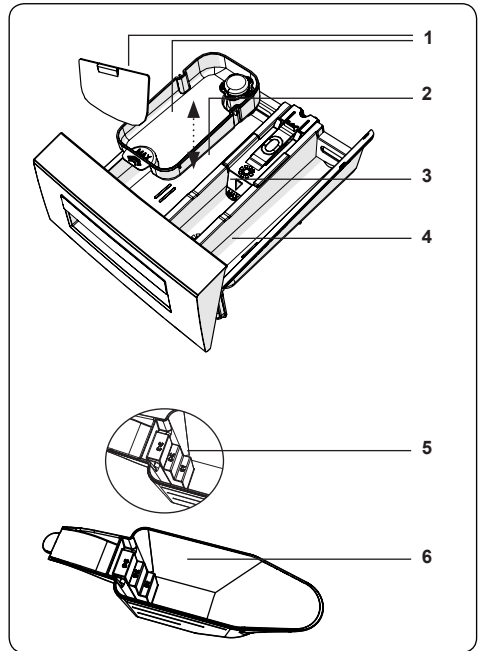
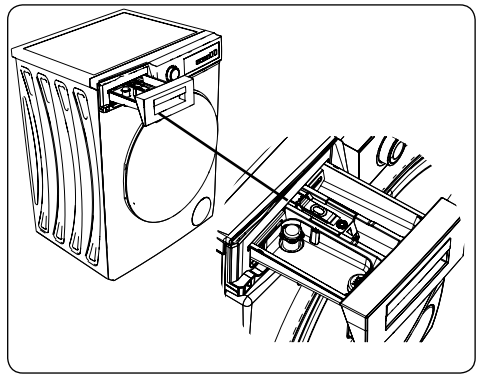
- Connect the water drain hose to a standpipe or to the outlet elbow of a household sink, using additional equipment.
- Never attempt to extend the water drain hose.
- Do not put the water drain hose from your machine into a container, bucket or bathtub.
- Make sure that the water drain hose is not bent, buckled, crushed or extended.
- The water drain hose must be installed at a maximum height of 100 cm from the ground.

## 4. CONTROL PANEL OVERVIEW



1. Detergent Drawer
2. Electronic Display
3. Programme Dial

### 4.1 Detergent Drawer

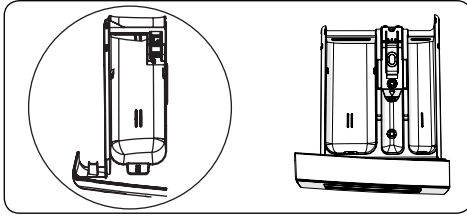


1. Liquid Detergent Attachments
2. Main Wash Detergent Compartment
3. Softener Compartment
4. Pre-Wash Detergent Compartment
5. Powder Detergent Levels
6. Powder Detergent Scoop (\*)

(\*) Specifications may vary depending on the machine purchased.

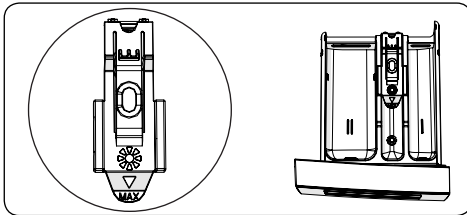
## 4.2 Sections

### Main wash detergent compartment:



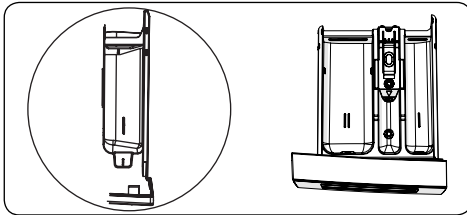
This compartment is for liquid or powder detergents or limescale remover. The fluid detergent level plate will be supplied inside your machine. (\*)

### Fabric conditioner, starch, detergent compartment:



This compartment is for softeners, conditioners or starch. Follow the instructions on the packaging. If softeners leave residue after use, try diluting them or using a liquid softener.

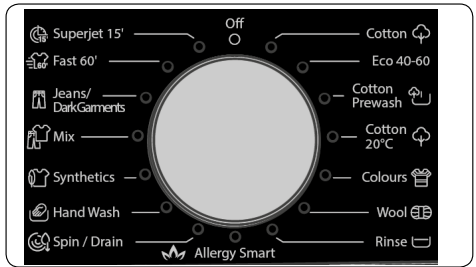
### Pre-wash detergent compartment:



This compartment should be used only when the pre-wash feature is selected. We recommend that the pre-wash feature is used only for very dirty laundry.

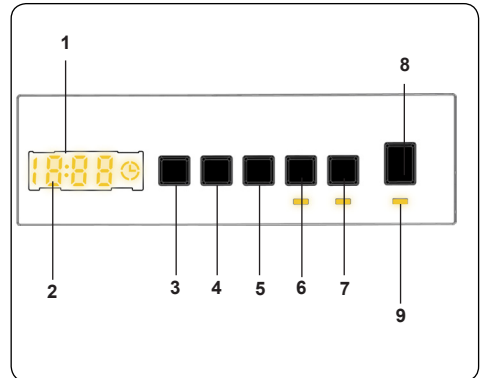
(\*) Specifications may vary depending on the machine purchased.

## 4.3 Program Dial



- To select the desired programme, turn the programme dial either clockwise or anti-clockwise until the marker on the programme dial points to the chosen programme.
- Make sure that the programme dial is set exactly to the programme you want.

## 4.4 Electronic Display



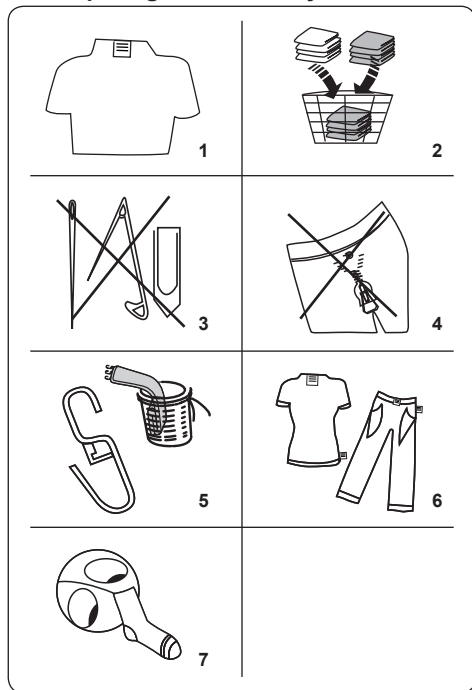
1. Electronic Display
2. Digital Display
3. Water Temperature Adjustment Button
4. RPM Speed Adjustment Button
5. Delayed Start Additional Function
6. Additional Function Button 1
7. Additional Function Button 2
8. Start/Pause Button
9. Start/Pause Button Lamp

The display panel shows the washing delay timer (if set), temperature selection, spin speed, any additional functions selected. The display panel shows "End" when the selected programme is complete. The display panel also indicates if a fault has occurred with your machine.



## 5. USING YOUR WASHING MACHINE

### 5.1 Preparing Your Laundry






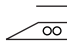
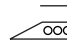










- Follow the instructions given in the care labels on the clothing.
  - Separate your laundry according to type (cotton, synthetic, sensitive, wool etc.), washing temperature (cold, 30°, 40°, 60°, 90°) and the degree of dirtiness (slightly stained, stained, highly stained).
- Never wash coloured and white laundry together.
  - Dark textiles may contain excess dye and should be washed separately several times.
- Ensure that there are no metallic materials on your laundry or in the pockets; if so, remove them.

**CAUTION:** Any malfunctions which occur due to foreign materials damaging your machine are not covered by the warranty.

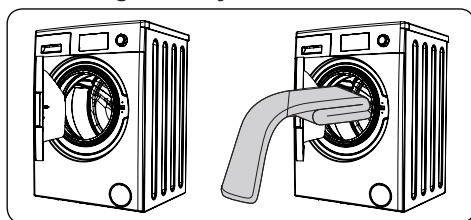
- Close zips and fasten any hooks and eyes.
- Remove the metallic or plastic hooks of

curtains or place them in a washing net or bag.

- Reverse textiles such as pants, knitwear, t-shirts and sweat shirts.
- Wash socks, handkerchiefs and other small items in a washing net.

 Can be bleached	 Do not bleach	 Normal washing
 Maximum ironing temperature 150°C	 Maximum ironing temperature 200°C	 Do not iron
 Can be dry cleaned	 No dry cleaning	 Dry flat
 Drip dry	 Hang to dry	 Do not tumble dry
 Dry cleaning in gas oil, pure alcohol and R113 is allowed	 Perchloroethylene R11, R13, Petroleum	 Perchlorinetylene R11, R113, Gas oil

### 5.2 Putting Laundry in the Machine



- Open the door of your machine.
- Spread your laundry evenly in the machine.

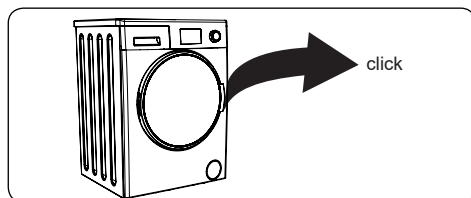
**NOTE:** Take care not to exceed the maximum load of the drum as this will give poor wash results and cause creasing. Refer to the washing programme tables for information on load capacities.

The following table shows approximate

weights of typical laundry items:

LAUNDRY TYPE	WEIGHT (gr)
Towel	200
Linen	500
Bathrobe	1200
Quilt cover	700
Pillow slip	200
Underwear	100
Tablecloth	250

- Load each item of laundry separately.
- Check that no items of laundry are trapped between the rubber seal and the door.
- Gently push the door until it clicks shut.



- Make sure the door is fully closed, otherwise the programme will not start.

### 5.3 Adding Detergent to the Machine

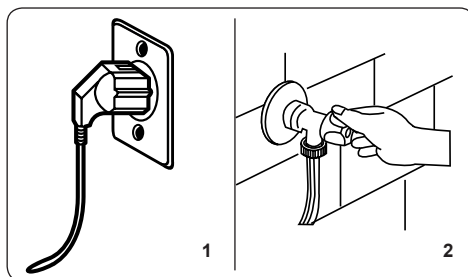
The amount of detergent you will need to put in your machine will depend on the following criteria:

- If your clothes are only slightly soiled, do not pre-wash. Put a small amount of detergent (as specified by the manufacturer) into compartment II of the detergent drawer.
- If your clothes are excessively soiled, select a programme with pre-wash and put  $\frac{1}{4}$  of the detergent to be used into compartment I of the detergent drawer and the rest in compartment II.
- Use detergents produced for automatic washing machines. Follow the manufacturer's instructions on the amount of detergent to use.
- In areas of hard water, more detergent will be required.
- The amount of the detergent required will increase with higher washing loads.

- Put softener in the middle compartment of the detergent drawer. Do not exceed the MAX level.
- Thick softeners may cause clogging of the drawer and should be diluted.
- It is possible to use fluid detergents in all programmes without a pre-wash. To do this, slide the fluid detergent level plate (\*) into the guides in compartment II of the detergent drawer. Use the lines on the plate as a guide to fill the drawer to the required level.

(\*) Specifications may vary depending on the machine purchased.

### 5.4 Operating Your Machine



1. Plug your machine in to the mains supply.
  2. Turn on the water supply.
- Open the machine door.
  - Evenly spread your laundry in the machine.
  - Gently push the door until it clicks shut.

### 5.5 Selecting a Programme

Use the programme tables to select the most appropriate programme for your laundry.

### 5.6 Half-Load Detection System

Your machine features a half-load detection system.

If you put less than half the maximum load of laundry into your machine it will automatically set the half-load function, regardless of the programme you selected. This means that the selected programme will take less time to complete and will use less water and energy.

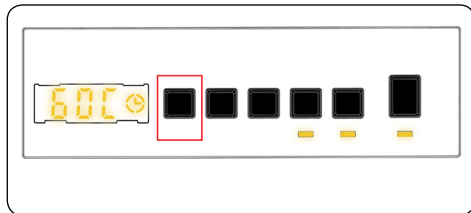
(\*)Machinery specifications may vary

depending on the product purchased.

## 5.7 Additional Functions

### 1. Temperature Selection

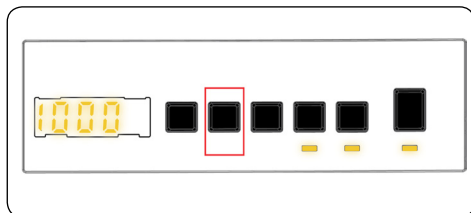
Use the washing water temperature adjustment button to alter the automatically programmed washing water temperature.



When you select a programme the maximum temperature for that programme is automatically selected. To adjust the temperature, press the water temperature adjustment button until the desired temperature is displayed on the digital display.

You can gradually decrease the washing water temperature between the maximum washing water temperature of the selected programme and cold washing (- - C) selections by pressing the temperature adjustment button.

### 2. Spin Speed Selection

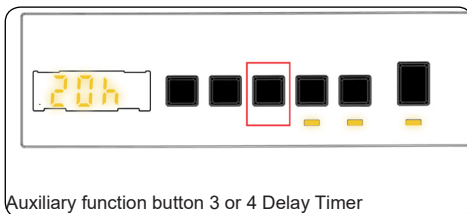


When you select a programme, the maximum spin speed is automatically selected.

To adjust the spin speed between the maximum spin speed and the cancel spinning option (- - -), press the Spin speed button until the desired speed is displayed.

If you have skipped the spin speed you want to set, keep pressing the spin speed adjustment button until the desired spin speed is displayed again.

### 3. Delay Timer(\*)



Auxiliary function button 3 or 4 Delay Timer

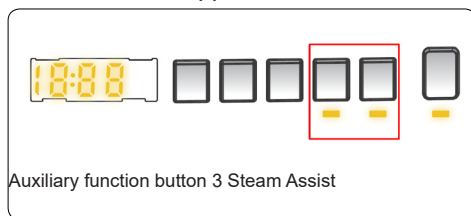
You can use this auxiliary function to delay the start time of the washing cycle for 1 to 23 hours .

To use the delay function:

- Press the delay key once.
- "01h" will be displayed. ☺ will light up on the electronic display.
- Press the delay key until you reach the time after which you want the machine to start the washing cycle.
- If you have skipped the delay time you would like to set, you can keep pressing the delay key until you reach that time again.
- To use the time delay function, you need to press the Start/Pause key to start the machine.
- If you want to cancel the delay:
  - If you have pressed the Start/Pause key to start the machine, you just need to press the delay key once. ☺ will go off on the electronic display.
  - If you have not pressed the Start/Pause key, press the delay key continuously until ☺ goes off on the electronic display. ☺ will go off on the electronic display.

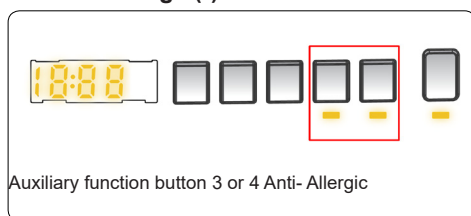
**NOTE:** In the case that you want to select the auxiliary function feature, if the auxiliary function LED is not on, this means that this feature is not being used in the washing programme you have selected.

#### 4. Steam Assist(\*)



Owing to the steam system ironing has become quick and as easy. The steam used during washing penetrates and loosens the fibres, eliminates creases and leaves our clothes soft and delicate.

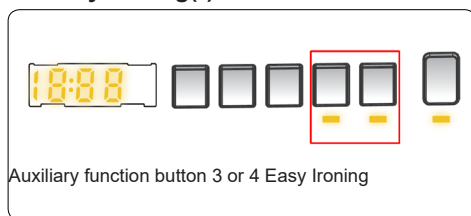
#### 5. Anti- Allergic(\*)



You can add an additional rinse operation to your laundry using this additional function. Your machine will carry out all rinsing steps with hot water. We recommend this setting for laundry worn on delicate skin, baby clothes and underwear.

To select this function, press the Antiallergic button when the ☼ symbol is displayed.

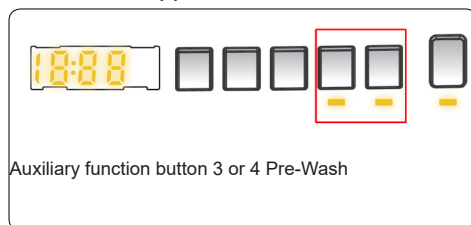
#### 6. Easy Ironing(\*)



Using this function will result in your laundry being less wrinkled at the end of the selected washing programme.

To select this function, press the Easy ironing button when the ☁ symbol is displayed.

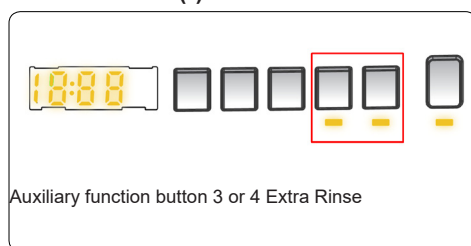
#### 7. Pre-Wash(\*)



This additional function allows you to give heavily soiled laundry a pre-wash before the main washing programme takes place. When using this function, put detergent in front washing compartment of the detergent drawer.

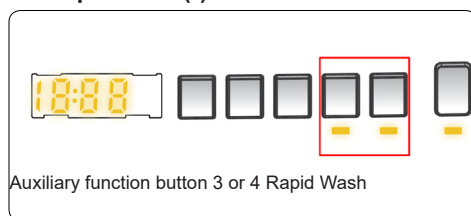
To select this function, press the Pre-wash button when the ☽ symbol is displayed.

#### 8. Extra Rinse(\*)



You can add an additional rinse operation to the end of the selected wash programme using this additional function. To select this function, press the Extra rinse button when the ☽ symbol is displayed.


#### 9. Rapid Wash(\*)



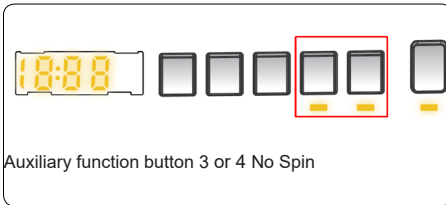
You can wash your laundry in a shorter time, using less energy and water by selecting this additional function.


We recommend that you only use this option if you are washing less than half the maximum dry load for the selected programme.

To select this function, press the Rapid wash button when the ⚡ symbol is displayed.

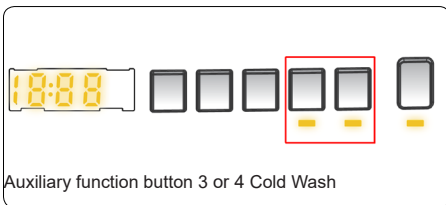
**NOTE:** If you put less than half the maximum load of laundry into your machine the half-load function will be automatically set, regardless of the programme you selected. This means that the selected programme will take less time to complete and will use less water and energy. When your machine detects half load, the  symbol is displayed automatically.


### 10. No Spin(\*)



If you don't want to perform wringing on your laundry, you can use this auxiliary function. You may make the programme active by pressing the wringing cancel button on the display panel when the led light of the  symbol turns on.

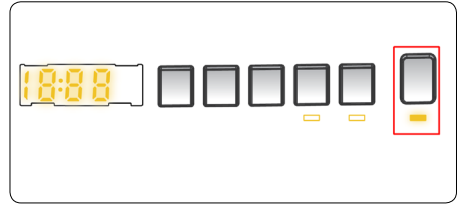
### 11. Cold Wash(\*)



You can use this auxiliary function when you want to wash your laundry with cold water (tap water). You may make the programme active by pressing the cold washing button on the display panel when the led light of the  symbol turns on.

(\*)Machinery specifications may vary depending on the product purchased.

### Start/Pause button

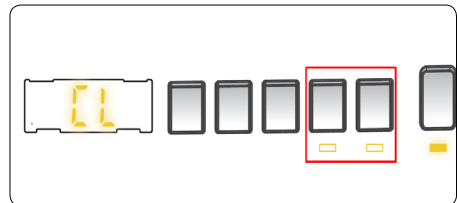


By pressing on the Start/Pause button, you may start the programme you have selected or suspend a running programme. If you switch your machine to the standby mode, the Start/Pause led on the electronic display will blink.

### 5.8 Child Lock

The Child Lock function allows you to lock the buttons so that the wash cycle you have chosen cannot be changed unintentionally.

To activate child lock, press and hold button 2 and 3 simultaneously for at least 3 seconds. "CL" will flash on the electronic display for 2 seconds when the child lock is activated.



If any button is pressed or selected programme is changed by the programme dial while the child lock is active, the "CL" symbol will flash on the electronic display for 2 seconds.

If the child lock function is active and a programme is running, when the programme dial is turned to the CANCEL position and another programme is selected the previously selected programme continues from where it was left.

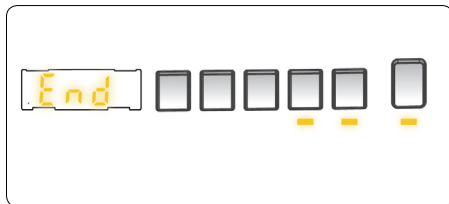
To deactivate the child lock, press and hold button 2 and 3 simultaneously for at least 3 seconds until the "CL" symbol on the electronic display disappears.

## 5.9 Cancelling the Programme

To cancel a running programme at any time:

1. Turn the programme dial to the "STOP" position.
2. Your machine will stop the washing operation and the programme will be cancelled.
3. Turn the programme dial to any other programme to drain the machine.
4. Your machine will perform the necessary draining operation and cancel the programme.
5. You can now select and run a new programme.

## 5.10 Programme End



Your machine will stop by itself as soon as the programme you have selected finishes.

- "" will flash on the electronic display.
- You can open the machine's door and remove the laundry.
- Leave the door of your machine open to allow the inner part of your machine to dry.
- Switch the programme dial to STOP position.
- Unplug your machine.
- Turn the water tap off.

## 6. PROGRAMME TABLE

Programme	Washing temperature (°C)	Maximum dry laundry amount (kg)	Detergent compartment	Programme duration (Min.)	Laundry type / Descriptions
COTTON	*60-90-80-70-40	8	2	215	Very dirty, cotton and flax textiles. (Underwear, linen, tablecloth, towel (maximum 4 kg), bedclothes, etc.)
ECO 40-60	*40 - 60	8	2	215	Dirty cotton and flax textiles. (Underwear, linen, tablecloth, towel (maximum 4 kg), bedclothes, etc.)
COTTON Pre-Wash	*60 - 50 - 40 - 30 - "- -C"	8	1&2	171	Dirty cotton and flax textiles. (Underwear, linen, tablecloth, towel (maximum 4 kg), bedclothes, etc.)
COTTON 20	*20- "- -C"	4	2	96	Less dirty, cotton and linen textiles. (Underwear, bedsheet, tablecloth, towel (max. 2,0 kg) bedcloth, etc.)
COLOURS	*40 - 30 - "- -C"	3,5	2	210	Less dirty, cotton and linen textiles. (Underwear, bedsheet, tablecloth, towel (max. 2,0 kg) bedcloth, etc.)
WOOL	*30 - "- -C"	2,5	2	44	Woollen laundries with machine wash labels.
RINSE	** - -C"	8	-	30	Provides an additional rinse to any type of laundry after the washing cycle.
ALLERGY SAFE	*60 - 50 - 40 - 30 - "- -C"	4	2	212	Baby laundry
Spin/Drain	** - -C"	8	-	17	You can use this program for any type of laundry if you want an additional spin step after the washing cycle./ You can use the drain program to drain the water accumulated inside the machine (adding or removing laundry). To enable the drain program, turn the program knob to the spin/ drain program. After you select "spin cancelled" using the auxiliary function key, the program will start to run.
HAND WASH	*30 - "- -C"	2,5	2	90	Laundry recommended for hand wash or sensitive laundry.
Easy Care / Outdoor	*40 - 30 - "- -C"	3,5	2	110	Very dirty or synthetic-mixed textiles. (Nylon socks, shirts, blouses, synthetic-including trousers etc. )
Mixed	*40 - 30 - "- -C"	3,5	2	105	Dirty cotton, synthetics, colour and flax textiles can be washed together.
Jeans / Dark Garments	*30 - "- -C"	4	2	96	Black and dark items made of cotton, mixed fibre or jeans. Wash inside out., Jeans often contains excess dye and may run during the first few washes. Wash light and dark coloured items separately
(**)FAST 60' 60°C	*60 - 50 - 40 - 30 - "- -C"	4	2	60	Dirty, cotton, coloured and linen textiles washed at 60°C in 60 minutes.
(***) Rapid 15 min.	*30 - "- -C"	2	2	15	In a short time of 15 minutes, Lightly soiled, cotton, colored and linen textiles your can wash.



**NOTE: PROGRAMME DURATION MAY CHANGE ACCORDING TO THE AMOUNT OF LAUNDRY, TAP WATER, AMBIENT TEMPERATURE AND SELECTED ADDITIONAL FUNCTIONS.**

**(\*) Washing water temperature of the programme is the factory default.**

**(\*\*) If your machine has the rapid wash auxiliary function, you can enable the quick wash option on the display panel and load the machine with 2 kg or less laundry to wash it in 30 minutes.**

**(\*\*\*) Due to the short washing time of this programme, we recommend that less detergent is used. The programme may last longer than 15 minutes if your machine detects an uneven load. You can open the door of your machine 2 minutes after the completion of a washing operation. (The 2 minute period is not included in the programme duration).**

**According to regulation 1015/2010 and 1061/2010, the programme 1 and the programme 2 are respectively the 'Standard 60°C cotton programme' and the 'Standard 40°C cotton programme'.**

**The Eco 40-60 programme is able to clean normally soiled cotton laundry declared to be washable at 40°C or 60°C, together in the same cycle, and that this programme is used to assess the compliance with the EU ecodesign legislation.**



- The most efficient programmes in terms of energy consumption are generally those that perform at lower temperatures and longer duration.
- Loading the household washing machine up to the capacity indicated by the manufacturer for the respective programmes will contribute to energy and water savings.
- Program duration, energy consumption and water consumption values may vary according to wash load weight and type, selected extra functions, tap water and ambient temperature.
- It's recommended to use liquid detergent for the washing programmes at low temperature. The amount of detergent to be used may vary depending on the amount of laundry and the level of dirtiness of the laundry. Please follow the detergent manufacturers' recommendations for the amount of the detergent to be used.
- The noise and remaining moisture content are influenced by the spinning speed. The higher spinning speed in the spinning phase, the higher noise and the lower remaining moisture content.
- You can access the product database where the model information is stored by reading the QR code on the energy label.

Programme Name	Rated Capacity kg	Energy Consumption kWh/cycle			Programme Duration Hours:Minutes			Water Consumption Litres/Cycle			max. Temperature °C			Remaining Moisture Content % 1400 Rpm		
		Rated Capacity	1/2 Load	1/4 Load	Rated Capacity	1/2 Load	1/4 Load	Rated Capacity	1/2 Load	1/4 Load	Rated Capacity	1/2 Load	1/4 Load	Rated Capacity	1/2 Load	1/4 Load
Cotton 90	8	2,38			03:13			82			81			53%		
Cotton 60	8	1,13			03:35			52			57			53%		
Eco 40-60	8	1,05	0,49	0,27	03:35	02:48	02:30	52	44	37	46	31	25	53%	53%	53%
Easy Care / Outdoor	3,5	0,56			01:50			50			42			53%		
Fast 60	4	1,02			01:00			34			58			53%		
Cotton 20	4	0,2			01:36			43			20			53%		

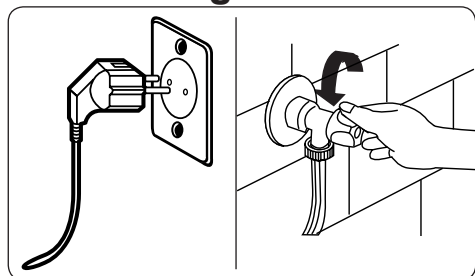
## 6.1 Important Informations

- Use detergents, softeners and other additives suitable for automatic washing machines only. Excessive foam has occurred and automatic foam absorption system has been activated due to too much detergent usage.
- We recommend that periodic cleaning for washing machine every 2 months. For periodic cleaning please use Drum Clean programme. If your machine do not have Drum Clean programme, use Cottons-90 programme. When required, use limescale removers manufactured specifically for washing machines only.
- Never force the door open when your Washing Machine is running. You can open the door of your machine 2 minutes after the completion of a washing operation. \*
- Never force the door open when your Washing Machine is running. The door will open immediately after the washing cycle has ended. \*
- The installation and repairing procedures should always carried out by the Authorised Service Agent in order to avoid possible risks. The manufacturer shall not be held liable for damages that may arise from procedures carried out by unauthorised persons.

(\*) Specifications may vary depending on the machine purchased.

## 7. CLEANING AND MAINTENANCE

### 7.1 Warning



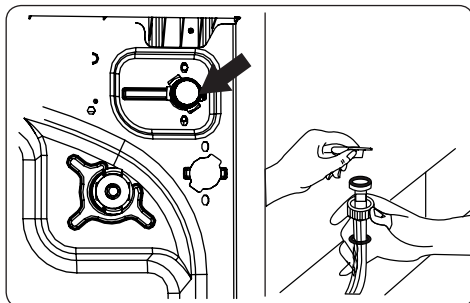
Turn your mains power supply off and remove the plug from the socket before carrying out maintenance and cleaning of your machine.

Turn off the water supply before starting maintenance and cleaning of your machine.

**⚠ CAUTION:** Do not use solvents, abrasive cleaners, glass cleaners or all-purpose cleaning agents to clean your Washing Machine. They may damage the plastic surfaces and other components with the chemicals they contain.

### 7.2 Water Inlet Filters

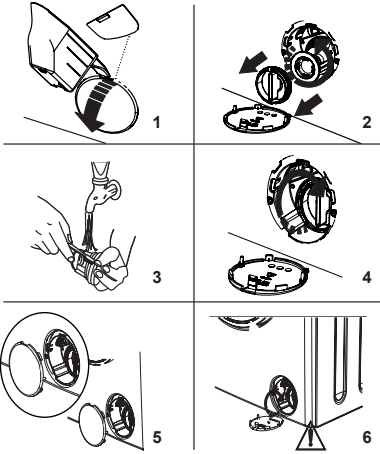
Water inlet filters prevent dirt and foreign materials from entering your machine. We recommend that these filters are cleaned when your machine is unable to receive sufficient water, although your water supply is on and the tap is open. We recommend that you clean your water inlet filters every 2 months.



- Unscrew the water inlet hose(s) from the Washing Machine.
- To remove the water inlet filter from the water inlet valve, use a pair of long-nosed pliers to gently pull on the plastic bar in the filter.
- A second water inlet filter is located in the tap end of the water inlet hose. To remove the second water inlet filter, use a pair of long-nosed pliers to gently pull on the plastic bar in the filter.
- Clean the filter thoroughly with a soft brush and wash with soapy water and rinse thoroughly. Re-insert the filter by gently pushing it back into place.

**⚠ CAUTION:** The filters at the water inlet valve may become clogged due to water quality or lack of required maintenance and may break down. This may cause a water leak. Any such breakdowns are out of the scope of the warranty.

### 7.3 Pump Filter



The pump filter system in your Washing Machine prolongs the life of the pump by preventing lint from entering your machine.

We recommend that you clean the pump filter every 2 months.

The pump filter is located behind the cover on the front-lower right corner.

To clean the pump filter:

1. You may use the washing powder spade (\*) supplied with your machine or liquid detergent level plate to open the pump cover.
  2. Lodge the end of the powder spade or liquid detergent level plate in the opening of the cover and gently press backwards. The cover will open.
- Before opening the filter cover, place a container under the filter cover to collect any water left in the machine.
  - Loosen the filter by turning anticlockwise and remove by pulling. Wait for the water to drain.

**NOTE:** Depending on the amount of water inside the machine, you may have to empty the water collection container a few times.

3. Remove any foreign materials from the filter with a soft brush.
4. After cleaning, re-fit the filter by inserting it and turning clockwise.
5. When closing the pump cover, ensure that the mountings inside the cover

meet the holes on the front panel side.

6. Close the filter cover.

**WARNING:** The water in the pump may be hot, wait until it has cooled down before carrying out any cleaning or maintenance.

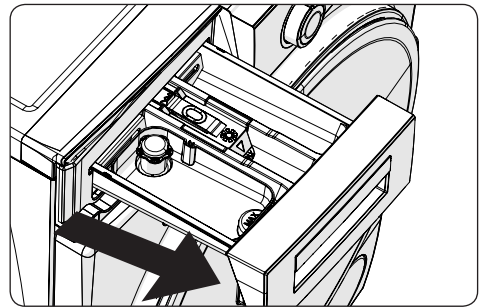
(\*) Specifications may vary depending on the machine purchased.

### 7.4 Detergent Drawer

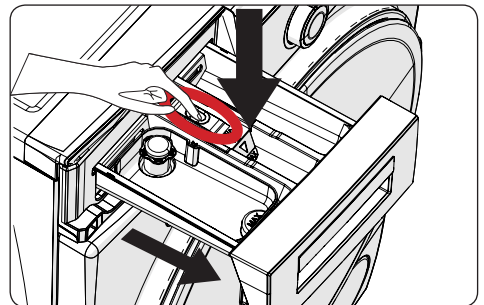
The use of detergent may cause residual build up in the detergent drawer over time. We recommend that you remove the drawer every 2 months to clean the accumulated residue.

To remove the detergent drawer:

- Pull the drawer forwards until it is fully extended.

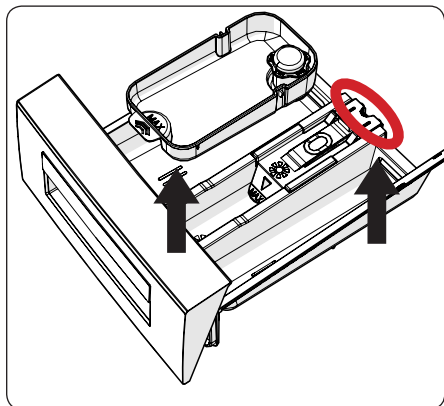


- Press the region shown below inside the detergent drawer you have pulled all the way back, and continue pulling and remove the detergent drawer from its place



- Remove the detergent drawer and disassemble the flush stopper. Clean thoroughly to completely remove

any softener residue. Refit the flush stopper after cleaning and check that it is seated properly.



- Rinse with a brush and lots of water.
- Collect the residues inside the detergent drawer slot so that they don't fall inside your machine.
- Dry the detergent drawer with a towel or dry cloth and place it back

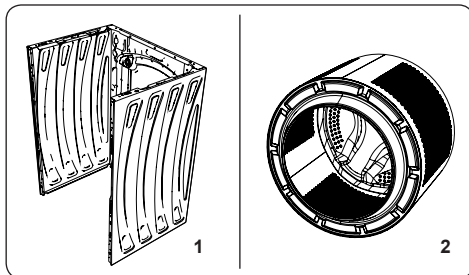
**! Do not wash your detergent drawer in a dishwasher.**

#### **Liquid detergent apparatus(\*)**

For the cleaning and maintenance of the liquid level detergent apparatus, remove the apparatus from its location as shown in the picture below, and thoroughly clean the remaining detergent residues. Replace the apparatus. Make sure that no residual material remains inside the siphon.

(\*) Specifications may vary depending on the machine purchased.

## **8. Body / Drum**



### **1. Body**

Use a mild, non-abrasive cleaning agent, or soap and water, to clean the external casing. Wipe dry with a soft cloth.

### **2. Drum**

Do not leave metallic objects such as needles, paper clips, coins etc. in your machine. These objects lead to the formation of rust stains in the drum. To clean such rust stains, use a non-chlorine cleaning agent and follow the instructions of manufacturer of the cleaning agent. Never use wire wool or similar hard objects for cleaning rust stains.

## 9. TROUBLESHOOTING

Repair of your machine should be carried out by an authorised service company. If your machine requires repair or if you cannot solve an issue with the information provided below, then you should:

- Unplug your machine from the mains power supply.
- Turn off the water supply.

FAULT	POSSIBLE CAUSE	TROUBLESHOOTING
Your machine does not start.	Machine not plugged in.	Plug machine in.
	Fuses are faulty.	Replace the fuses.
	No mains power supply.	Check mains power.
	Start/Pause button not pressed.	Press the Start/Pause button.
	Programme dial 'stop' position.	Turn the programme dial to the desired position.
Your machine does not intake water.	The machine door is not completely closed.	Close the machine door.
	Water tap is turned off.	Turn tap on.
	Water inlet hose may be twisted.	Check water inlet hose and untwist.
	Water inlet hose clogged.	Clean water inlet hose filters. (*)
	Inlet filter clogged.	Clean the inlet filters. (*)
Your machine does not discharge water.	The machine door is not completely closed.	Close the machine door.
	Drain hose clogged or twisted.	Check the drain hose, then either clean or untwist.
	Pump filter clogged.	Clean the pump filter. (*)
Your machine vibrates.	Laundry is too tightly packed together in the drum.	Spread your laundry in the machine evenly.
	The feet have not been adjusted.	Adjust the feet. (**)
	Transit bolts fitted for transportation have not been removed.	Remove the transit bolts from the machine. (**)
	Small load in the drum.	This will not prevent operation of your machine.
	Your machine is overloaded with laundry or laundry is unevenly spread.	Do not overload the drum. Spread laundry evenly in the drum.
Excessive foam is formed in the detergent drawer.	Your machine rests on a hard surface.	Do not set up your Washing Machine on a hard surface.
	Excessive amount of detergent used.	Press the Start/Pause button. To stop the foam, dilute one tablespoon of softener into 1/2 litre of water and pour into the detergent drawer. Press the Start/Pause button after 5-10 mins.
Unsatisfactory washing result.	Wrong detergent used.	Only use detergents produced for automatic Washing Machines.
	Your washing is too dirty for the programme selected.	Use the information in the programme tables to select the most appropriate programme.
	Amount of detergent used insufficient.	Use the amount of detergent as instructed on the packaging.
	There is too much laundry in your machine.	Check that the maximum capacity for the selected programme has not been exceeded.

FAULT	POSSIBLE CAUSE	TROUBLESHOOTING
Unsatisfactory washing result.	Hard water.	Increase the amount of detergent following the manufacturer's instructions.
	Your laundry is too tightly packed together in the drum.	Check that your laundry is spread out.
As soon as the machine is loaded with water, water discharges.	The end of water drain hose is too low for the machine.	Check that the drain hose is at a suitable height (**).
No water appears in the drum during washing.	No fault. Water is in the unseen part of the drum.	.....
Laundry has detergent residue.	Non-dissolving particles of some detergents may appear on your laundry as white spots.	Perform an extra rinse, or clean your laundry with a brush after it dries.
Grey spots appear on the laundry.	There is untreated oil, cream or ointment on your laundry.	Use the amount of detergent as instructed on the packaging in the next wash.
The spin cycle does not take place or takes place later than expected.	No fault. The Unbalanced load control system has been activated.	The Unbalanced load control system will try to spread your laundry. The spinning cycle will begin once your laundry is spread. Load the drum evenly for the next wash.

(\* See the chapter regarding maintenance and cleaning of your machine.

(\*\*) See the chapter regarding installation of your machine.

## 10. AUTOMATIC FAULT WARNINGS AND WHAT TO DO

Your Washing Machine is equipped with a built-in fault detection system, indicated by a combination of flashing wash operation lights. The most common failure codes are shown below.

TROUBLE CODE	POSSIBLE FAULT	WHAT TO DO
E01	The door of your machine is not shut properly.	Shut the door properly until you hear a click. If your machine persists to indicate fault, turn off your machine, unplug it and contact the nearest authorised service agent immediately.
E02	The water pressure or the water level inside the machine may be low.	Check the tap is fully turned on. Mains water may be cut-off. If the problem still continues, your machine will stop after a while automatically. Unplug the machine, turn off your tap and contact the nearest authorised service agent.
E03	The pump is faulty or pump filter is clogged or electrical connection of the pump is faulty.	Clean the pump filter. If the problem persists, contact the nearest authorised service agent. (*)
E04	Your machine has excessive amount of water.	Your machine will discharge water by itself. Once the water has drained, turn off your machine and unplug it. Turn off the tap and contact the nearest authorised service agent.

(\* See the chapter regarding maintenance and cleaning of your machine.










## Köszönjük, hogy ezt a terméket választotta.

A felhasználói kézikönyv fontos biztonsági, használati, és karbantartási információkat tartalmaz.

Kérjük, hogy a készülék használata előtt szánjon időt a felhasználói kézikönyv elolvasására, és őrizze meg a könyvet a jövőbeli tájékozódás céljából.

Ikron	Típus	Jelentés
	<b>FIGYELMEZTETÉS</b>	Súlyos sérülés vagy életvesztély
	<b>ÁRAMÜTÉS VESZÉLYE</b>	Magasfeszültség veszélye
	<b>TŰZ</b>	Figyelmeztetés; Tűzvesztély / gyúlékony anyagok
	<b>FIGYELEM</b>	Sérülés- vagy anyagi kár veszélye
	<b>FONTOS / MEGJEGYZÉS</b>	A rendszer helyes működtetése

# TARTALOM

<b>1.BIZTONSÁGI UTASÍTÁSOK .....</b>	<b>1</b>
1.1 Általános biztonsági figyelmeztetések .....	2
1.2 Használat közben .....	6
1.3 Csomagolás és környezetvédelem .....	7
1.4 Takarékosági információk .....	8
<b>2.MŰSZAKI ADATOK .....</b>	<b>9</b>
2.1 Általános megjelenés .....	9
2.2 Műszaki adatok.....	9
<b>3.BESZERELÉS.....</b>	<b>10</b>
3.1 Szállítócsavarok eltávolítása .....	10
3.2 Lábak beállítása / Állítható tartók beállítása .....	10
3.3 Elektromos csatlakozás.....	10
3.4 Vízbemeneti csatlakoztatás.....	11
3.5 Vízelvezető csatlakozás .....	12
<b>4.A KEZELŐFELÜLET ÁTTEKINTÉSE .....</b>	<b>12</b>
4.1 Mosószer-adagoló fiók .....	12
4.2 Részek .....	12
4.3 Programválasztó gomb.....	13
4.4 Digitális kijelző .....	13
<b>5.A MOSÓGÉP HASZNÁLATA.....</b>	<b>14</b>
5.1 A ruhák előkészítése.....	14
5.2 Ruhák behelyezése a mosógépbe .....	14
5.3 Mosószer adagolása .....	15
5.4 Mosógép működtetése .....	15
5.5 Program választása.....	15
5.6 Féltöltet-érzékelő rendszer .....	16
5.7 Kiegészítő funkciók .....	16
5.8 Gyermekezár.....	18
5.9 Program törlése .....	19
5.10 Program vége.....	19
<b>6.PROGRAMTÁBLÁZAT .....</b>	<b>20</b>
6.1 Fontos információk .....	23
<b>7.TISZTÍTÁS ÉS KARBANTARTÁS.....</b>	<b>24</b>
7.1 Figyelmeztetés .....	24
7.2 Vízbemeneti szűrők.....	24
7.3 Szivattyúszűrő .....	25
7.4 Mosószer-adagoló fiók .....	25
<b>8.Ház / Dob .....</b>	<b>26</b>
<b>9.HIBAELHÁRÍTÁS .....</b>	<b>27</b>
<b>10.AUTOMATIKUS HIBAJELZÉS ÉS TEENDŐK .....</b>	<b>28</b>

# 1. BIZTONSÁGI UTASÍTÁSOK

Üzemi feszültség / frekvencia	(220-240) V~/50Hz
Összes áramfelvétel (A)	10
Víznyomás (Mpa)	Maximum 1 Mpa / Minimum 0,1Mpa
Összteljesítmény (W)	2100
Maximális mosási kapacitás (száraz ruha) (kg)	8

- Ne helyezze a gépet szőnyegre vagy olyan felületre, amely nem engedi, hogy a készülék alulról szellőzzön.
- A készüléket nem használhatják korlátozott fizikai, érzékszervi vagy mentális képességű személyek (beleértve a gyermekeket is), illetve olyan személyek, akik nem rendelkeznek a szükséges tapasztalattal, illetve ismeretekkel, kivéve, ha egy, a biztonságukért felelős személy felügyelete alatt állnak, illetve ilyen személy útmutatást ad részükre a készülék használatával kapcsolatban.
- 3 év alatti gyermekek csak folyamatos felügyelet mellett tartózkodhatnak a készülék közelében.
- A tápkábel meghibásodása esetén forduljon a legközelebbi szakszervizhez cserealkatrészért.
- A vízbemeneti csatlakozások kialakításakor kizárólag a géppel szállított új vízbeömlő tömlőt használja. Soha ne használjon régi, használt vagy sérült vízbeömlő tömlőket.

- A gyermekek nem játszhatnak a készülékkel. Tisztítást és karbantartást nem végezhetnek gyermekek felügyelet nélkül.

**MEGJEGYZÉS:** Ha a jelen használati útmutatóból elektronikus példányt szeretne kapni, írjon a következő címre: “washingmachine@standardtest.info”. Levelében tüntesse fel a modell nevét és (20 számjegyű) sorozatszámát, amelyet a berendezés ajtaján talál.

**Olvassa el figyelmesen a jelen használati útmutatót.**



**A berendezés csak személyes használatra alkalmas. A kereskedelmi célú felhasználás a garancia elvesztését vonja maga után.**


**Az útmutató több modell működésére is kiterjed, így elképzelhető, hogy berendezése nem rendelkezik az itt leírt összes funkcióval. Emiatt fontos, hogy a használati útmutató olvasásakor külön figyeljen az ábrákra is.**

## **1.1 Általános biztonsági figyelmeztetések**

- A gép ideális működéséhez szükséges hőmérséklet 15-25 °C.
- Olyan helyeken, ahol a hőmérséklet fagypont alatt van, a berendezés csövei elrepedhetnek, és az áramkör meghibásodhat.
- Győződjön meg róla, hogy a mosógépbe helyezett ruhák közé nem kerültek idegen tárgyak, például körmök, tűk, öngyújtók, pénzérmék.
- **Javasoljuk, hogy az első mosás alkalmával**

**használja a 90° pamut programot ruha nélkül, a mosószer-adagoló fiók második rekeszét félig töltve megfelelő mosószerrel.**

- A mosószer- és öblítőmaradékok lerakódhatnak, ha hosszú ideig érintkeznek levegővel. Csak a mosás elején tegyen öblítőt vagy mosószert a mosószer-adagoló fiókba.
- Áramtalanítsa mosógépét és zárja el a vízellátást, ha hosszú ideig nem használja a berendezést. Javasoljuk, hogy a páráképződés megelőzése érdekében hagyja nyitva a mosógép ajtaját is.
- Elképzelhető, hogy mosógépében marad némi víz a gyártás során végzett minőségellenőrzések miatt. Ez nem befolyásolja mosógépe működését.
- A berendezés csomagolása veszélyt jelenthet a gyermekek számára. Ne engedje meg, hogy gyermekek a mosógép csomagolásával vagy apró alkatrészeivel játszanak.
- Tartsa a csomagolóanyagot olyan helyen, ahol gyermekek nem férhetnek hozzá, vagy szállítsa a hulladékot a megfelelő gyűjtőhelyre.
- Az előmosás programokat csak erősen szennyezett ruháknál használja.

 Soha ne nyissa ki a mosószer-adagoló fiókot, ha a gép üzemel.

- Hiba esetén áramtalanítsa a készüléket és zárja el a vízellátást. Ne próbálja a készüléket megjavítani. Minden esetben forduljon szakszervizhez.
- Ne tegyen az adott programra vonatkozó maximális töltetnél nagyobb mennyiségű ruhát a mosógépbe.

 A gép működése közben ne erőltesse az ajtó

kinyitását.

- A liszttel szennyezett anyagok károsíthatják a berendezést.
- A textilöblítőszer és egyéb készítmények alkalmazásával kapcsolatban kövesse a gyártó utasításait.
- Győződjön meg róla, hogy a mosógép ajtaja akadálytalanul és teljes mértékben nyitható.

Olyan helyen üzemeltesse a berendezést, ahol a szellőzés teljes mértékben biztosított, és folytonos levegőellátás áll rendelkezésre.

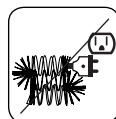
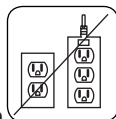
**⚠️ Olvassa el az alábbi figyelmeztetéseket. Kövesse az itt található tanácsokat, hogy elkerülhesse saját maga és a más emberek épségének veszélyeztetését és a halálos baleseteket.**

## **ÉGÉSI SÉRÜLÉS VESZÉLYE**

**⚠️** Ne nyúljon a tömlőhöz és a leeresztett vízhez, amíg a mosógép használatban van. A forró víz égési sérülést okozhat.

## **⚠️⚡ ELEKTROMOS ÁRAM MIATTI ÉLETVESZÉLY**

- Ne használjon hosszabbítót mosógépe hálózati áramforráshoz való csatlakoztatásához.
- Ne csatlakoztasson sérült villásdugót a konnektorba.
- Soha ne húzza ki villásdugót a konnektorból a vezeték megrántásával. A villásdugót mindig kézzel megfogva távolítsa el.
- Soha ne érintse meg a tápkábelt/villásdugót



nedves kézzel, mert ez rövidzárlathoz vagy áramütéshez vezethet.

- Ne érintse meg mosógépét nedves kézzel vagy lábbal.
- A sérült tápkábel/villásdugó tüzet vagy áramütést okozhat. Ilyen esetben az alkatrész cseréjére van szükség, melyet csak szakképzett személy végezhet.



### **⚠️Vízömlés veszélye**

- Ellenőrizze, hogy milyen gyorsan folyik a víz, mielőtt a leeresztő tömlőt a lefolyóba helyezné.
- Ügyeljen rá, hogy a tömlő mozduljon el.
- Megfelelő rögzítés nélkül a kifolyó víz miatt elmozdulhat a tömlő. Ellenőrizze, hogy a lefolyó dugója ne akadályozza a víz leengedését.

### **⚠️Tűzveszély**

- Ne tároljon gyúlékony folyadékokat a berendezés közelében.
- A festékfolt-tisztítók kéntartalma korróziót okozhat. Soha ne használjon a gépben festékfolt-tisztító anyagokat.
- Soha ne használjon a gépben oldószert tartalmazó termékeket.
- Győződjön meg róla, hogy a mosógépbe helyezett ruhák közé nem kerültek idegen tárgyak, például körmök, tűk, öngyújtók, pénzürmék.

### **Tűz- és robbanásveszély**

#### **⚠️Esés- és sérülésveszély**

- Ne másszon fel a mosógépre.
- Ellenőrizze, hogy a tömlőkben és a vezetékekben ne lehessen elbotlani.

- A gépet ne fordítsa fejjel lefelé és ne döntse az oldalára.
- Ne emelje a mosógépet az ajtajánál vagy a mosószer-adagoló fióknál fogva.

**!A berendezés mozgatását legalább 2 ember végezze.**



**!Gyermekek biztonsága**

- Ne hagyja felügyelet nélkül a gyermekeket a gép közelében. A gyermekek bezárhatják magukat a gépbe, ami életveszélyhez vezethet.
- Ne engedje meg a gyermekeknek, hogy működés közben megérintsék az üvegajtót. Az ajtó felülete erősen felforrósodik, és megsértheti a bőrt.
- A csomagolóanyagot tartsa távol a gyermekektől.
- Mérgezés és irritáció léphet fel, ha a gyermekek lenyelik a mosószert vagy a tisztítószert, illetve ha az bőrrel vagy szemmel érintkezik. A tisztítószereket tartsa távol a gyermekektől.




## 1.2 Használat közben

- Ne engedjen kisállatokat a gép közelébe.
- Az üzembe helyezés előtt ellenőrizze a csomagolást, és annak eltávolítása után a gép felületét. Ne használja a gépet, ha az sérültnek tűnik, vagy ha a csomagolása ki lett bontva.
- A gép üzembe helyezését kizárólag szakszerviz végezheti. Amennyiben nem szakszerviz végzi az üzembe helyezést, úgy a garancia érvényét veszti.
- A készüléket 8 év alatti gyermekek, korlátozott



fizikai, érzékszervi vagy mentális képességgel rendelkező személyek, valamint szükséges tapasztalattal és ismeretekkel nem rendelkező személyek csak felügyelet mellett használhatják, és tisztában kell lenniük a gép biztonságos használatát, továbbá ismerniük kell annak veszélyeit. A gyermekek nem játszhatnak a készülékkel. Tisztítást és karbantartást nem végezhetnek gyermekek felügyelet nélkül.

- Csak olyan ruhanemű mosására használja a gépet, amelyet a ruhanemű gyártója mosható minősítéssel látott el.
- **A mosógép üzembe helyezése előtt távolítsa el a gép hátoldalán lévő 4 szállítócsavart és a gumi távtartókat. Amennyiben a csavarokat nem távolítják el, az erős rázkódást, zajt, és meghibásodást okozhat, továbbá a garancia elvesztését vonja maga után.**
- A garancia nem terjed ki olyan külső tényezőkre, mint a tűzesetek, a vízömlés és egyéb veszélyforrások.
- A használati útmutatót ne dobja ki; tartsa meg a jövőbeli tájékozódás céljából és adja tovább a berendezés esetleges következő tulajdonosának.

 **MEGJEGYZÉS:** A gép műszaki adatai a vásárolt modelltől függően eltérőek lehetnek.

Az ékszíj cseréjét csak szakszerviz végezheti el.

Kizárólagos eredeti pótszíj: 42006396 Optibelt 6 EPJ 1236

## 1.3 Csomagolás és környezetvédelem

### Csomagolóanyagok eltávolítása

A csomagolóanyagok a szállítás során bekövetkező esetleges sérülésektől védik a gépet. A csomagolás újrahasznosítható, környezetbarát anyagokból készül. Az újrahasznosított anyagok alkalmazása csökkenti a gyártás során felhasználandó nyersanyagok mennyiségét és csökkenti a hulladéktermelést.

### 1.4 Takarékosági információk

Az alábbi fontos információk segítenek, hogy hatékonyabban tudja használni gépét:

- Ne tegyen az adott programra vonatkozó maximális töltetnél nagyobb mennyiségű ruhát a mosógépbe. Így gépét energiatakarékos módban használhatja.
- Ne használja az előmosás funkciót enyhén szennyezett ruhákhoz. Így csökkentheti a felhasznált energia és víz mennyiségét.

#### CE megfelelési nyilatkozat

Kijelentjük, hogy termékeink megfelelnek a vonatkozó európai irányelveknek, határozatoknak és rendeleteknek, valamint a hivatkozott szabványokban felsorolt követelményeknek.

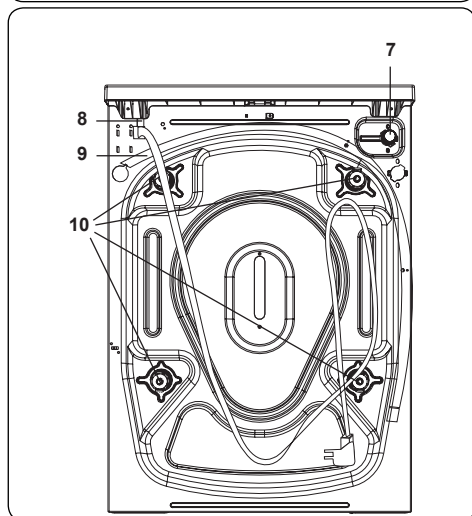
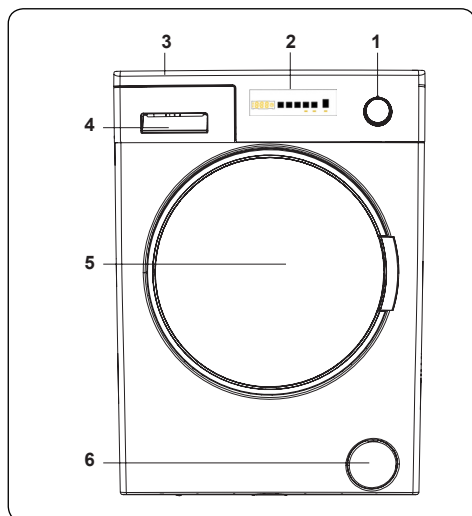
#### Régi mosógép leselejtezése



A terméken vagy annak csomagolásán található szimbólum jelzi, hogy a termék nem kezelhető háztartási hulladékként. A berendezést a megfelelő gyűjtőhelyre kell szállítani a villamossági és elektronikai alkatrészek újrahasznosítása céljából. Az elhasznált termék helyes kezelésével elkerülhetők az esetleges negatív környezeti- és egészségügyi hatások, melyek a hulladék helytelen kezelésekor felmerülnének. A termék újrahasznosításával kapcsolatos további részletes információért lépjen

kapcsolatba a helyi hivatalokkal, háztartási hulladékgyűjtő szolgáltatójával vagy a terméket forgalmazó bolttal.

## 2. MŰSZAKI ADATOK



### 2.1 Általános megjelenés

1. Programválasztó
2. Digitális kijelző
3. Felső tálca
4. Mosószer-adagoló fiók
5. Dob
6. Szivattyúsűrő-fedél
7. Vízbeeresztő szelep
8. Hálózati kábel
9. Vízleeresztő tömlő

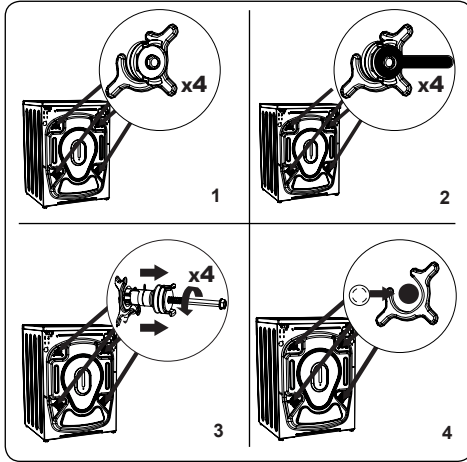
### 10. Szállítócsavarok

#### 2.2 Műszaki adatok

Üzemi feszültség / frekvencia (V/ Hz)	(220-240) V~/50Hz
Összes áramfelvétel (A)	10
Víznyomás (Mpa)	Maximum: 1 Mpa Minimum : 0,1 Mpa
Összteljesítmény (W)	2100
Maximális száraz ruha kapacitás (kg)	8
Centrifuga sebessége (fordulat / perc)	1400
Programok száma	15
Méretetek (mm)	
Magasság	845
Szélesség	597
Mélység	527

### 3. BESZERELÉS

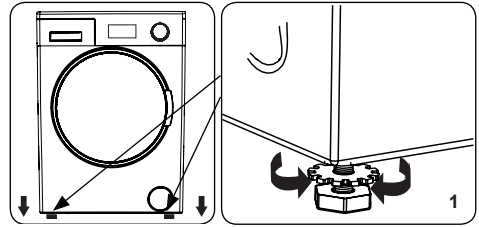
#### 3.1 Szállítócsavarok eltávolítása



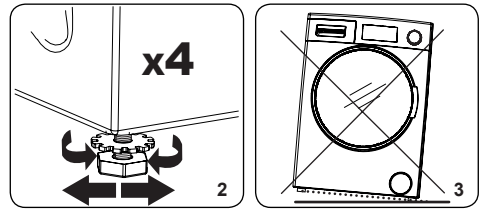
1. A mosógép üzembe helyezése előtt távolítsa el a gép hátoldalán lévő 4 szállítócsavart és a gumi távtartókat. Amennyiben a csavarokat nem távolítják el, az erős rázkódást, zajt, és meghibásodást okozhat, továbbá a garancia elvesztését vonja maga után.
2. A megfelelő kulcsot használva lazítsa meg a szállítócsavarokat az óramutató járásával ellentétes irányba fordítva őket.
3. Húzza ki egyenesen a szállítócsavarokat.
4. A szállítócsavarok eltávolítása után illessze a tartozékokat tartalmazó zacskóban található műanyag záródugókat a csavarok helyére. Őrizze meg a szállítócsavarokat az esetleges későbbi használat céljából.

**MEGJEGYZÉS:** Távolítsa el a szállítócsavarokat, mielőtt először használná a gépet. A szállítócsavarok eltávolítása nélküli üzemeltetésből adódó meghibásodásra nem terjed ki a garancia.

#### 3.2 Lábak beállítása / Állítható tartók beállítása

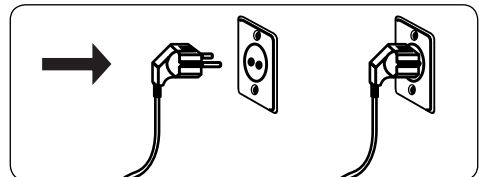


1. Ne helyezze a gépet olyan felületre (pl. szőnyegre), amely nem engedi, hogy a készülék alulról szellőzzön.
- A halk és rázkódásmentes működés érdekében helyezze a gépet szilárd felületre.
- A gépet az állítható lábak segítségével tudja vízszintbe helyezni.
- Lazítsa meg a műanyag rögzítőanyagát.



2. Amennyiben növelni szeretné a gép magasságát, fordítsa a lábakat az óramutató járásával megegyező irányba. Amennyiben csökkenteni szeretné a gép magasságát, fordítsa a lábakat az óramutató járásával ellentétes irányba.
- Amikor a gép vízszintes helyzetben van, szorítsa meg a rögzítőanyagát az óramutató járásával megegyező irányban forgatva őket.
3. Ne helyezzen kartonpapírt, fát vagy hasonló anyagokat a gép alá támasztékként.
- Ügyeljen arra, hogy a gép alatti felület tisztításakor a berendezés vízszintes helyzetben maradjon.

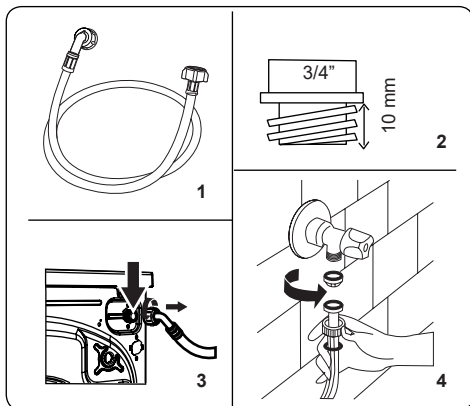
#### 3.3 Elektromos csatlakozás



- Mosógépét 220-240V feszültségű, /50 Hz típusú áramforráshoz kell csatlakoztatni.
- A mosógép hálózati tápkábele földelt dugóval van ellátva. A villásdugót minden esetben földelt, 10 amperes konnektorba kell csatlakoztatni.
- Amennyiben nem áll rendelkezésre olyan konnektor és biztosíték, amely megfelel a fenti követelményeknek, bízza villamossági szakemberre a szükséges munkálatok elvégzését.
- A berendezés földelés nélküli üzemeltetéséből adódó károkért nem vállalunk felelősséget.

**MEGJEGYZÉS:** Az alacsony feszültségen történő üzemeltetés lerövidíti a gép élettartamát és korlátozza teljesítményét.

### 3.4 Vízbemeneti csatlakoztatás

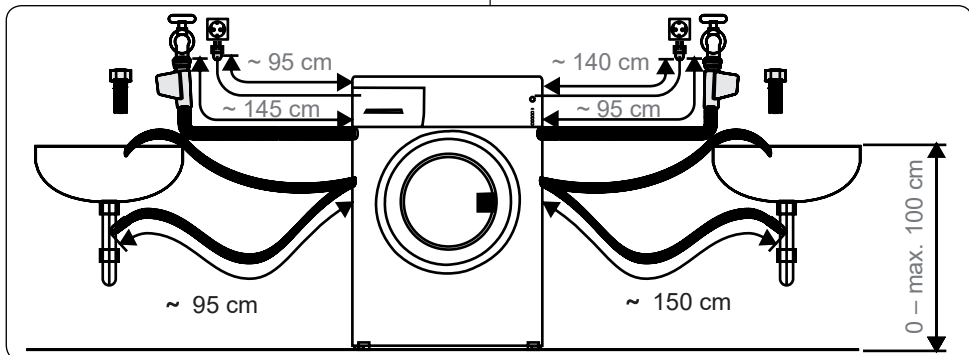


1. Mosógépén annak műszaki tulajdonságaitól függően vagy egyetlen (csak hideg) vízbemenet található, vagy

kettő (hideg- és melegvíz). A fehér végű tömlőt a hidegvíz-bemenethez, a piros végűt pedig a melegvíz-bemenethez kell csatlakoztatni (ha van ilyen).

- A csatlakozásoknál fellépő vízvívárgás megelőzése érdekében a tömlőhöz – mosógépe műszaki tulajdonságaitól függően – 1 vagy 2 szorítógyűrűt talál a csomagban. A szorítógyűrűk segítségével csatlakoztassa a vízbeömlő tömlő(ke)t.
2. Az új vízbeömlő tömlőket  $\frac{3}{4}$  hüvelykes menetes csaphoz kell csatlakoztatni.
  - Csatlakoztassa a vízbeömlő tömlő fehér végét a mosógép hátsó oldalán található fehér vízbeeresztő szelephez, a piros végét pedig a piros vízbeeresztő szelephez (ha van ilyen).
  - Szorítsa meg kézzel a csatlakozásokat. Kérdés esetén forduljon vízvezeték-szerelőhöz.

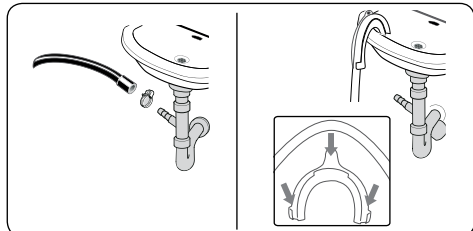
- A 0,1-1 Mpa nyomású vízáramlás biztosítja, hogy a gép optimális hatékonysággal működjön (a 0,1 Mpa nyomás azt jelenti, hogy a teljesen kinyitott csapon keresztül percenként több, mint 8 liter víz halad át).
3. Ha megfelelően csatlakoztatott mindent, nyissa meg óvatosan a vizet, és ellenőrizze, hogy nem tapasztal-e szivárgást.
  4. Győződjön meg róla, hogy az új vízbeömlő tömlők nincsenek beakadva, összegabalyodva, megtekeredve megtörve vagy összenyomva.
  - Ha gépe melegvíz bemenettel is rendelkezik, ne használjon 70°C-nál magasabb hőmérsékletű vizet.



## MEGJEGYZÉS:

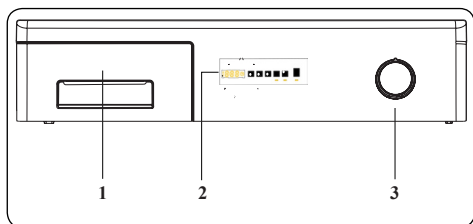
Mosógépét csak a tartozékként biztosított új vízbeömlő tömlővel csatlakoztassa a vízellátást biztosító csaphoz. Ne használjon régi tömlőt.

### 3.5 Vízelvezető csatlakozás



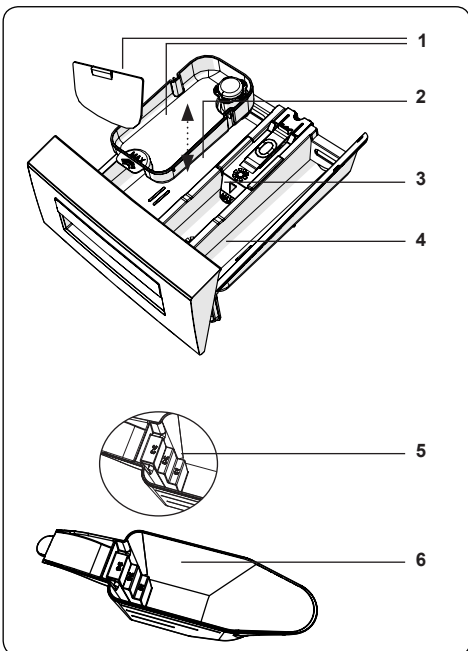
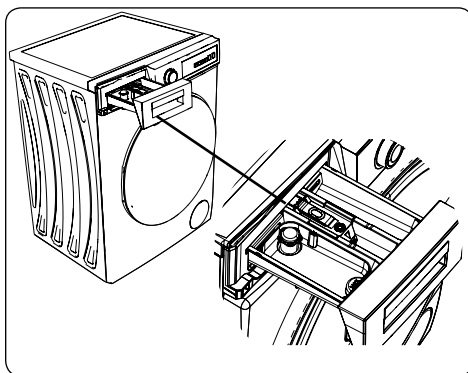
- További szerszámok segítségével csatlakoztassa a vízelvezető tömlőt a nyomásszabályozó csőhöz vagy a mosdókagyló könyökcsővéhez.
- Soha ne próbálja kifeszíteni a vízelvezető tömlőt.
- Ne helyezze gépe vízelvezető tömlőjét tartályba, vödörbe vagy a kádba.
- Győződjön meg róla, hogy a vízelvezető tömlő nincs meggörbülve, elhajolva, összenyomva vagy kifeszítve.
- A vízelvezető tömlőnek a padlótól számított legfeljebb 100 cm-es magasságban kell lennie.

## 4. A KEZELŐFELÜLET ÁTTEKINTÉSE



1. Mosószer-adagoló fiók
2. Digitális kijelző
3. Programválasztó

### 4.1 Mosószer-adagoló fiók

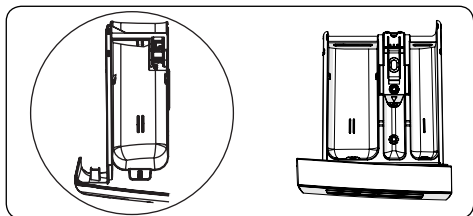


1. Tartozékok folyékony mosószerhez
2. Főmosás mosószer-adagoló rekesz
3. Öblítő rekesz
4. Előmosás mosószer-adagoló rekesz
5. Mosópor szint
6. Mosópor-adagoló mérőkanál (\*)

(\*) A különböző modellek műszaki tulajdonságai eltérhetnek.

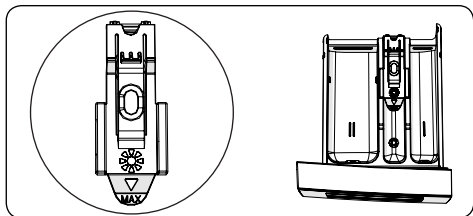
### 4.2 Részek

**Főmosás mosószer-adagoló rekesz:**



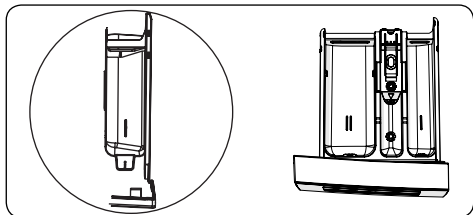
Ez a rekesz folyékony mosószer, mosópor vagy vízkötelenítő szer adagolására használható. A folyékony mosószer szintmérőjét első használat előtt a gép belsejében találja. (\*)

#### Textilöblítő-, keményítő-, és mosószer-adagoló rekesz:



A rekesz öblítő és keményítő adagolására használható. Kövesse a csomagoláson feltüntetett utasításokat. Amennyiben az öblítő használata után lerakódást észlel, próbálkozzon az öblítő hígításával, vagy folyékony öblítő használatával.

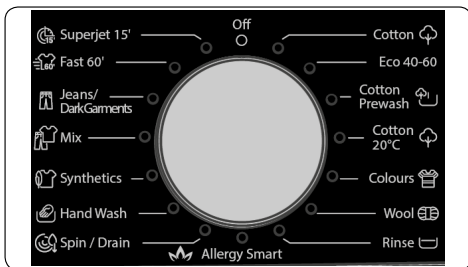
#### Előmosás mosószer-adagoló rekesz:



Ez a rekesz kizárólag előmosás funkció kiválasztásakor használható. Javasoljuk, hogy az előmosást csak erősen szennyezett ruhák esetében alkalmazza.

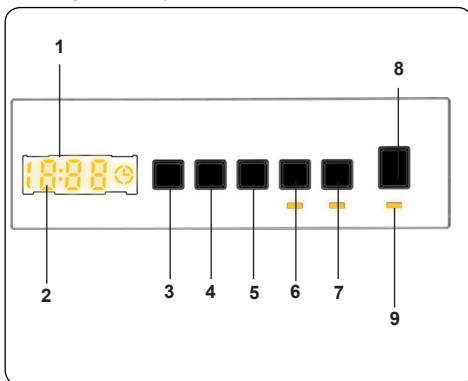
(\*) A különböző modellek műszaki tulajdonságai eltérhetnek.

### 4.3 Programválasztó gomb



- A kívánt program kiválasztásához fordítsa a programválasztó gombot az óramutató járásával megegyező vagy ellentétes irányba, úgy, hogy a gombon található jelzés a kívánt programra mutasson.
- Ügyeljen arra, hogy a programválasztó gomb pontosan a kiválasztandó programon álljon.

### 4.4 Digitális kijelző



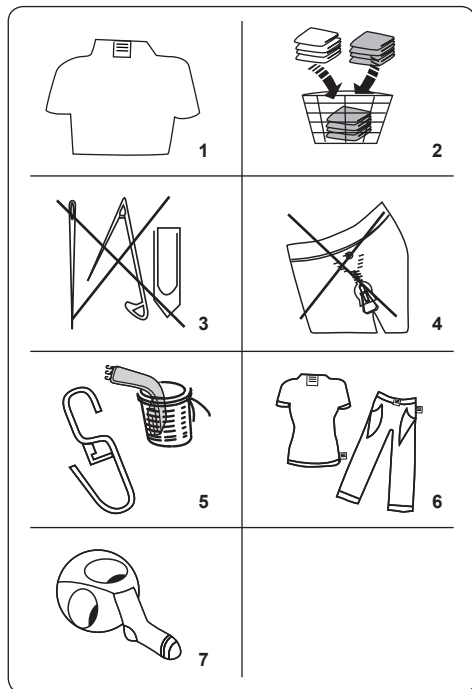
1. Digitális kijelző
2. Elektronikus kijelző
3. Vízhőmérséklet-szabályozó gomb
4. Centrifugálási sebesség beállító gomb
5. Késleltetett indítás kiegészítő funkció
6. 1. Kiegészítő funkció gomb
7. 2. Kiegészítő funkció gomb
8. Indítás/Szünet gomb
9. Indítás/Szünet visszajelző

A kijelzőpanelen látható a késleltetési idő (ha be lett állítva), a választott hőmérséklet, a centrifugálási sebesség valamint az esetleges kiegészítő funkciók. A kijelzőpanelen az „End” jelzés jelenik meg, amikor a kiválasztott program véget ér. A

kijelzőpanelen a gép esetleges hibajelzései is láthatók.

## 5. A MOSÓGÉP HASZNÁLATA

### 5.1 A ruhák előkészítése



- Kövesse a ruhán található kezelési címke utasításait.
- Válogassa szét a szennyes ruhákat típus (pamut, szintetikus, kényes, gyapjú, stb.), mosási hőmérséklet (hideg 30°, 40°, 60°, 90°) és a szennyezettségük mértéke szerint (enyhén szennyezett, szennyezett, erősen szennyezett).
- A fehér és színes ruhákat soha ne mossa együtt.
- A sötét textíliák több festékanyagot tartalmazhatnak, ezért ezeket külön, több soron kell mosni.
- Ügyeljen rá, hogy a ruhákon vagy a zsebekben ne legyenek fémből készült tárgyak. Ha ilyet talál, távolítsa el.

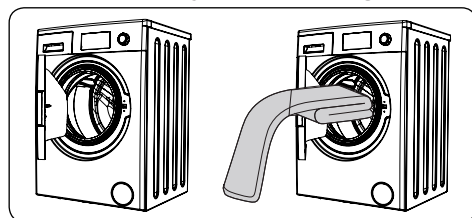
**FIGYELEM:** A gépbe került

idegen tárgyak okozta károokra a garancia nem terjed ki.

- Húzza be a cipzárokat és rögzítse a kapcsokat.
- Távolítsa el a függönyökről a fém vagy műanyag akasztókat vagy tegye őket mosóhálóbá, illetve mosózsákba.
- A nadrágokat, kötött ruhákat, pólókat és pulóvereket fordítsa ki.
- A zoknikat, zsebkendőket és egyéb kisméretű szennyeseket mosóhálóban mossa.

 Fehéritő használata lehetséges	 Ne használjon fehéritőt	 Normál mosás
 Vasalás maximum 150°C hőmérsékleten	 Vasalás maximum 200°C hőmérsékleten	 Ne vasalja
 Vegytisztítás lehetséges	 Vegytisztítás nem lehetséges	 Ne akassza fel szárításhoz
 Levegőn szárítható	 Felakasztva szárítandó	 Ne szárítsa gépben
 Gázolajjal, tiszta alkohollal és R113-mal tisztítható	 Perklóretilén, R11, R13, petróleum	 Perklóretilén, R11, R13, gázolaj

### 5.2 Ruhák behelyezése a mosógépbe



- Nyissa ki a gép ajtaját.



- Oszlassa el egyenletesen a ruhákat a gépben.

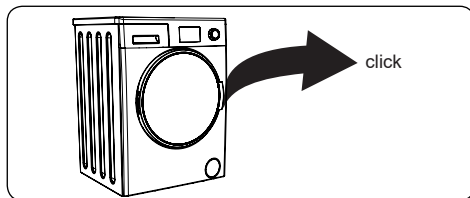
## MEGJEGYZÉS:

Figyeljen, hogy ne tegyen a maximális töltetnél nagyobb mennyiségű ruhát a dobba, mert ez rossz teljesítményt és gyűrődést okoz. Ellenőrizze a mosási programtáblázatban a maximális töltet értékét.

Az alábbi táblázatban megtalálja a főbb szövetanyagok körülbelüli súlyát.

SZÖVETANYAG TÍPUSA	SÚLY (gr)
Törölköző	200
Ágynemű	500
Fürdőköpeny	1200
Tűzött paplan	700
Párnahuzat	200
Alsónemű	100
Terítő	250

- A szennyeseket egyenként helyezze be.
- Ellenőrizze, hogy nem szorult-e be szennyes az ajtó és a gumitömítés közé.
- Finoman nyomja befelé az ajtót, amíg kattantást hall.



- Győződjön meg róla, hogy az ajtó teljesen bezáródott, különben a program nem indul el.

### 5.3 Mosószer adagolása

A gépbe helyezendő mosószer mennyisége az alábbiaktól függ:

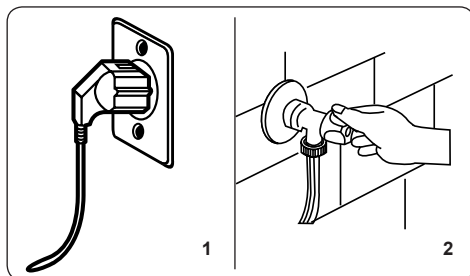
- Kis mértékben szennyezett ruhákhoz ne használjon előmosást. Helyezzen egy kevés (a gyártó által meghatározott mennyiségű) mosószert a mosószertadagoló fiók 2. rekeszébe.
- Amennyiben ruhái erősen szennyezettek, válasszon előmosást tartalmazó programot, és tegye a mosószert negyedrészt a mosószert-

adagoló fiók 1. rekeszébe, a többit pedig a 2. rekeszébe.

- Használjon automata mosógéphez gyártott mosószert. A mosószert mennyiségére vonatkozóan kövesse a gyártó utasításait.
- Ha a térségben kemény a víz, több mosószertre van szükség.
- A szükséges mosószert mennyisége betöltött szennyes mennyiségével arányosan nő.
- Töltésnél öblítőt a mosószertadagoló fiók középső rekeszébe. Ne töltsen túl a MAX szinten!
- A sűrű öblítők eltávolíthatók a rekeszt, ezeket hígítani kell.
- Az előmosás nélküli programok esetében mindig használható folyékony öblítő. Ehhez helyezze a folyékony mosószert szintmérőjét (\*) a mosószertadagoló fiók 2. rekeszébe kialakított tartóba. Használja a szintmérő beosztását a rekesz kívánt szintre történő felöltéséhez.

(\*) A különböző modellek műszaki tulajdonságai eltérhetnek.

### 5.4 Mosógép működtetése



1. Csatlakoztassa mosógépét hálózati áramforráshoz.
2. Biztosítsa a vízellátást.
  - Nyissa ki a mosógép ajtaját.
- Egyenletesen helyezze el a ruhákat a gépben.
- Finoman nyomja befelé az ajtót, amíg kattantást hall.

### 5.5 Program választása

Használja a programtáblázatot a szennyeshez leginkább megfelelő program kiválasztásához.

## 5.6 Féltöltet-érzékelő rendszer

A mosógép féltöltet-érzékelő rendszerrel van ellátva.

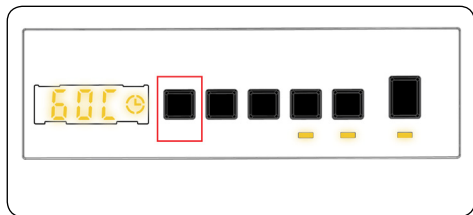
Ha a maximális töltetnek kevesebb mint felét helyezi a mosógépbe, az a választott programtól függetlenül automatikusan bekapcsolja a féltöltet funkciót. Ez azt jelenti, hogy a választott program rövidebb idő alatt ér véget, valamint kevesebb vizet és energiát használ.

(\*) Modelltől függően

## 5.7 Kiegészítő funkciók

### 1. Hőmérséklet kiválasztása

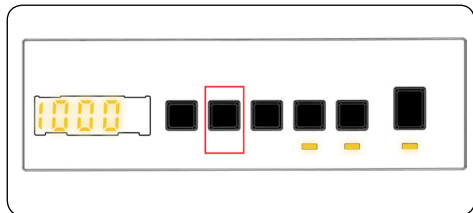
Használja a vízhőmérséklet-szabályozó gombot az automatikusan beállított mosási hőmérséklet megváltoztatásához.



Egy adott program választásakor a gép automatikusan beállítja a maximális hőmérséklet értékét. A hőmérséklet átállításához tartsa nyomva a vízhőmérséklet-szabályozó gombot, míg a kívánt érték meg nem jelenik a kijelzőn.

A mosóvíz hőmérséklete a mosóvíz hőmérséklet-kiválasztó gombjával fokozatonként állítható a maximum hőmérséklet és a hideg mosás (- - C) között a hőmérséklet-szabályozó gomb használatával.

### 2. Centrifugálási sebesség választása

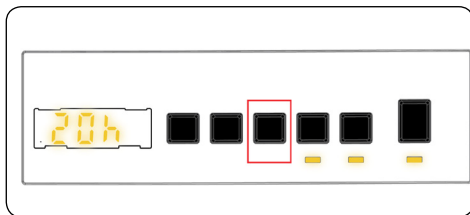


Egy adott program választásakor a gép automatikusan beállítja a centrifugálási sebesség értékét.

A centrifugálási sebességet átállíthatja a minimum és maximum sebesség közötti tartományban, vagy törölheti a funkciót (-- -) a centrifugálási sebesség gombot nyomva tartva, míg a kívánt érték megjelenik.

Ha a túlhaladt a kívánt centrifugálási sebesség értékén, tartsa nyomva a gombot, amíg az újra megjelenik.

### 3. Késleltetés időzítése



Használja ezt a funkciót, ha a mosási ciklus indítását 1-23 órával késleltetni kívánja.

A késleltető funkció használata:

- Nyomja meg a késleltetés gombot egyszer.
- A kijelzőn a "01h" felirat jelenik meg, és a digitális kijelzőn felgyullad a(z) "⊖" visszajelző.
- Tartsa nyomva a késleltetés gombot, míg el nem éri a mosási ciklus indításáig beállítani kívánt késleltetési értéket.
- Ha a túlhaladt a kívánt késleltetési értékén, tartsa nyomva a gombot, amíg az újra megjelenik.
- A késleltető funkció használatakor az indításhoz nyomja meg a gép Indítás/ Szünet gombját.
- Amennyiben törölni szeretné a késleltetést:
  - Ha már megnyomta a gép Indítás/ Szünet gombját, nyomja meg a késleltetés gombot egyszer. A(z) „⊖” visszajelző kialszik a digitális kijelzőn.
  - Amennyiben még nem nyomta meg az Indítás/Szünet gombot, tartsa nyomva a késleltető gombot, míg a(z) „⊖” visszajelző ki nem alszik a digitális kijelzőn. A „⊖” visszajelző kialszik a digitális kijelzőn.

## MEGJEGYZÉS:

Amennyiben kiegészítő funkciót kíván igénybe venni, de a kiegészítő funkció visszajelző LED nem ég a kijelzőn, a kívánt funkció nem aktív a választott mosási program esetében.

#### 4. Gőzölési segéd(\*)



3. vagy 4. számú kiegészítő gomb Gőzölési segéd


A gőzölési rendszernek köszönhetően a vasalás sosem volt ilyen gyors és egyszerű. A mosás közben felhasznált gőzölés behatol a szálak közé és fellazítja azokat, ezáltal eltávolítja a gyűrődéseket és puhává, valamint lágy tapintásúvá varázsolja ruháinkat.

#### 5. Antiallergén funkció (\*)

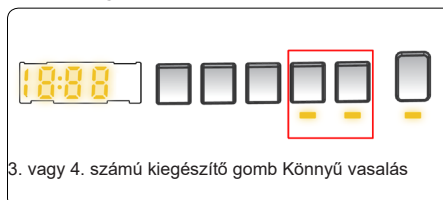


3. vagy 4. számú kiegészítő gomb Antiallergén funkció

E funkció segítségével plusz öblítési műveletet végezheti el a ruhákon. A gép az öblítés során minden lépéshez meleg vizet fog használni. E funkciót érzékeny bőrfelületen hordott ruhák, babaruhák és alsóneműk esetén ajánljuk.


A funkció kiválasztásához nyomja meg az Antiallergén funkció gombot, amikor a(z)  szimbólum megjelenik a kijelzőn.

#### 6. Könnyű vasalás(\*)



3. vagy 4. számú kiegészítő gomb Könnyű vasalás

A funkció használatával a ruhák kevésbé lesznek gyűröttek a választott mosási program végén.


A funkció kiválasztásához nyomja meg az Könnyű vasalás funkció gombot, amikor a(z)  szimbólum megjelenik a kijelzőn.

#### 7. Előmosás (\*)



3. vagy 4. számú kiegészítő gomb Előmosás


Ez a kiegészítő funkció lehetővé teszi az erősen szennyezett ruhák előmosását a fő mosási program előtt. E funkció használatakor a mosószer-t a mosószer-adagoló fiók elülső rekeszébe kell helyezni.

A funkció kiválasztásához nyomja meg a Könnyű vasalás funkció gombot, amikor a(z)  szimbólum megjelenik a kijelzőn.

#### 8. Extra öblítés (\*)



3. vagy 4. számú kiegészítő gomb Extra öblítés

E funkció segítségével plusz öblítési műveletet végezhet el a választott mosási program végén. A funkció kiválasztásához nyomja meg az Extra öblítés funkció gombot, amikor a(z)  szimbólum megjelenik a kijelzőn.


#### 9. Gyors mosás (\*)




3. vagy 4. számú kiegészítő gomb Gyors mosás

E kiegészítő funkció használatával ruháit rövidebb idő alatt, energiát és vizet megtakarítva moshatja.

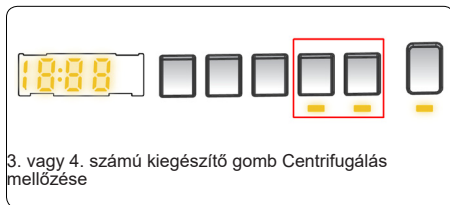
Javasoljuk, hogy csak akkor használja ezt a funkciót, ha az adott programhoz meghatározott maximális töltet felénél kisebb mennyiségű szennyeset tölt a gépbe.


A funkció kiválasztásához nyomja meg a Gyors mosás funkció gombot, amikor a(z)  szimbólum megjelenik a kijelzőn.

**MEGJEGYZÉS:** Ha a maximális töltetnek kevesebb mint felét helyezi a mosógépbe, az a választott programtól függetlenül automatikusan bekapcsolja a féltöltet funkciót. Ez azt jelenti, hogy a választott program rövidebb idő alatt ér véget, valamint kevesebb vizet és energiát használ. Féltöltet érzékelése esetén a  szimbólum automatikusan megjelenik a kijelzőn.

(\*) Modelltől függően

## 9. Centrifugálás mellőzése funkció (\*)




Használja ezt a funkciót, ha a ruhákon nem szeretne centrifugálást végezni. A programot a centrifugálás mellőzése funkció gombbal tudja aktiválni, amikor a  szimbólum led visszajelzőfénye megjelenik a kijelzőn.

## 10. Hideg mosás(\*)

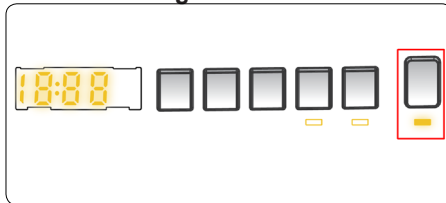


Használja ezt a kiegészítő funkciót, ha a ruhákat hideg vízben

szeretné mosni. A programot a hideg mosás funkció gombbal tudja aktiválni, amikor a  szimbólum led visszajelzőfénye megjelenik a kijelzőn.

(\*) A különböző modellek műszaki adatai eltérőek lehetnek.

## Indítás/Szünet gomb

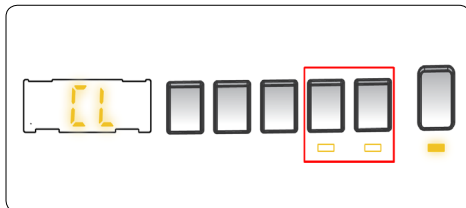


A kiválasztott programot az Indítás/Szünet gomb segítségével elindíthatja, vagy felfüggesztheti a program futását. Ha a gépet készenléti üzemmódba állítja, az Indítás/Szünet visszajelző led villogni fog a digitális kijelzőn.

## 5.8 Gyermezkár

A gyermezkár funkció segítségével zárolhatók a mosógép gombjai, hogy elkerülhető legyen a választott mosási ciklus véletlen módosítása.

A gyermezkár aktiválásához nyomja be és legalább 3 másodpercig tartsa nyomva a 2. és 3. számú gombot egyszerre. A gyermezkár aktiválásakor a „CL“ felirat megjelenik a kijelzőn és 2 másodpercig villog.



Ha aktív gyermezkár esetén a gép gombnyomást, vagy a programválasztó gomb elforgatását érzékeli, a „CL“ felirat megjelenik és 2 másodpercig villog a kijelzőn.

Ha bármely program futása közben a gyermezkár be van kapcsolva és a programválasztó gombot CANCEL állásba kapcsolja, majd egy másik programot választ, akkor a korábban kiválasztott program fog folytatódni, onnan, ahol abbamaradt.

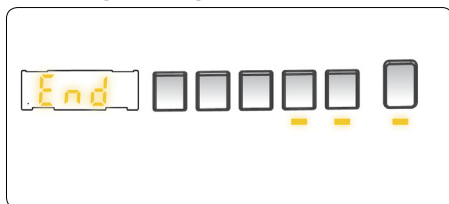
A gyermezkár kikapcsolásához nyomja be és legalább 3 másodpercig tartsa nyomva a 2. és 3. számú gombot egyszerre, míg a „CL“ felirat eltűnik a kijelzőről.

## 5.9 Program törlése

**A futó programot bármikor törölheti az alábbi módon:**

1. Állítsa a programválasztó gombot „STOP” állásba.
2. A gép leállítja a mosási műveletet és a program törlésre kerül.
3. A víz leeresztéséhez forgassa a programválasztó gombot bármilyen más állásba.
4. A gép elvégzi a szükséges vízleeresztést és törli a programot.
5. Ekkor kiválaszthatja és elindíthatja az új programot.

## 5.10 Program vége



A gép magától leáll, ha az Ön által kiválasztott program a végéhez ér.

- A digitális kijelzőn az “” felirat villog.
- Kinyithatja a gép ajtaját és kiveheti a ruhákat.
- A ruhák eltávolítása után hagyja nyitva a gép ajtaját, hogy a gép belseje megszáradjon.
- Állítsa a programválasztó gombot STOP állásba.
- Húzza ki a gépet a konnektorból.
- Zárja el a vízcsapot.

## 6. PROGRAMTÁBLÁZAT

Program	Mosási hőmérséklet (°C)	Maximális szárazruha töltet (kg)	Mosószer-adagoló rekesz	Program időtartama (perc)	Ruha típusa / Leírás
PAMUT	*60-90-80-70-40	8	2	215	Erősen szennyezett, pamut és len anyagok. (Alsónemű, vászonanyagok, terítő, törölköző (maximum 4,0 kg), ágynemű, stb.)
ECO 40-60	*40 - 60	8	2	215	Szennyezett pamut és lenvaszon anyagok. (Alsónemű, vászonanyagok, terítő, törölköző (maximum 4,0 kg), ágynemű, stb.)
Pamut előmosás	*60 - 50 - 40 - 30 - " - -C" -	8	1&2	171	Szennyezett pamut és lenvaszon anyagok. (Alsónemű, vászonanyagok, terítő, törölköző (maximum 4,0 kg), ágynemű, stb.)
PAMUT 20	*20- " - -C" -	4	2	96	Kevésbé szennyezett pamut és lenvaszon anyagok. (Alsónemű, vászonanyagok, terítő, törölköző (maximum 2,0 kg) ágynemű, stb.)
SZÍNEK	*40 - 30 - " - -C" -	3,5	2	210	Kevésbé szennyezett pamut és lenvaszon anyagok. (Alsónemű, vászonanyagok, terítő, törölköző (maximum 2,0 kg) ágynemű, stb.)
GYAPJÚ	*30 - " - -C" -	2,5	2	44	Gépben mosható címkével ellátott gyapjú mosásához.
ÖBLÍTÉS	*" - -C" -	8	-	30	Extra öblítési fázist ad a mosási ciklus végéhez a szennyes típusától függetlenül.
ALLERGIABIZTOS	*60 - 50 - 40 - 30 - " - -C" -	4	2	212	Babaruhák
Centrifugálás/ Vízleeresztés	*" - -C" -	8	-	17	Használja ezt a programot olyan szennyesekhez, amelyek esetében extra centrifugálás fázist szeretne adni a mosási ciklushoz./ A vízleeresztés program használatával leeresztheti a gép belsejében összegyűlt vizet (szennyes behelyezésekor vagy eltávolításakor). A vízleeresztés bekapcsolásához fordítsa a programválasztó gombot a centrifugálás/vízleeresztés programra. Ha a kiegészítő funkció gomb használatával kiválasztotta a „centrifugálás mellőzése” funkciót, a program elindul.
ÉRZÉKENY/KÉZI MOSÁS	*30 - " - -C" -	2,5	2	90	Kézzel mosható címkével ellátott és kényes anyagok mosásához.
EASY CARE / Szabdtéri	*40 - 30 - " - -C" -	3,5	2	110	Erősen szennyezett vagy vegyes műszálás anyagok. (Műszálás zokni, póló, blúz, kevert műszálás nadrág, stb.)
Vegyes	*40 - 30 - " - -C" -	3,5	2	105	A szennyezett pamut, szintetikus, színes és lenvaszon anyagokat együtt is moshatja.
Farmer / Sötét ruhák	*30 - " - -C" -	4	2	96	Fekete és sötét pamut, vegyes szálás vagy farmeranyagok. Kífordítva mossa. A farmeranyagok gyakran tartalmaznak nagy mennyiségű festéket, amely az első mosások alkalmával részben kioldódhat. A világos és sötét ruhákat külön mossa.
(**)Gyors 60' 60°C	*60 - 50 - 40 - 30 - " - -C" -	4	2	60	Szennyezett, pamut, színes és lenvaszon textíliák 60°C-os mosása 60 perc alatt.
(***) Gyors 15 perc.	*30 - " - -C" -	2	2	15	Enyhén szennyezett, gyapjú, színezett és vászontextíliák rövid, 15 perces mosására.



**MEGJEGYZÉS:** A PROGRAM IDŐTARTAMA A RUHA MENNYISÉGÉTŐL, A CSAPVÍZTŐL, A KÜLSŐ HŐMÉRSÉKLETTŐL, VALAMINT A KIVÁLASZTOTT KIEGÉSZÍTŐ FUNKCIÓKTÓL FÜGGŐEN VÁLTOZHAT.

(\*) A programhoz tartozó mosási vízhőmérséklet az alapértelmezett gyári érték.

**(\*\*) Amennyiben mosógépe rendelkezik gyorsmosás kiegészítő funkcióval, azt a kijelzőpanelen kapcsolhatja be. Így 2 kg-nál kevesebb betöltött ruhát 30 perc alatt kimoshat.**

(\*\*\*) A program rövid mosási ideje miatt kevesebb mosószer használata javasolt. A program tovább tarthat 15 percnél, amennyiben a gép egyetlen töltetet érzékel. A mosógép ajtaját 2 perccel a mosási program befejezése után lehet kinyitni. (Ezt a 2 percet nem tartalmazza a program hossza).

A 1015/2010 és 1061/2010-es rendeletek alapján, 1-es program a „Standard 60 °C pamut program” és a 2-es program a „Standard 40 °C pamut program”.

Az Eco 40-60 program 40 °C és 60 °C között mosható, átlagosan szennyezett pamutruhák tisztítására alkalmas, együtt ugyanabban a ciklusban. Ezzel programmal méri fel az EU környezettudatos tervezésre vonatkozó szabályozással való megfelelést.

- Általában azok a programok az energiafogyasztás szempontjából leghatékonyabba, amelyek alacsony hőmérsékleten hosszabb ideig mosnak.
- Nagyban hozzájárulhat az energia- és vízmegtakarításokhoz, ha a mosógépet a gyártó által megjelölt kapacitásig tölti.
- A programok időtartama, energiafogyasztási és vízfogyasztási értékek a mosási töltet súlyától és típusától, a kiválasztott extra funkcióktól, a csapvíztől és környezeti hőmérséklettől függően változhat.
- Folyékony mosószer használata ajánlat az alacsony hőmérsékletű mosási programokhoz. A felhasznált mosószer mennyiség a szennyes mennyiségétől és szennyezettségi fokától függően változhat. Kövesse a mosószer gyártójának javaslatait a felhasznált mosószer mennyiségét illetően.
- A zajt, valamint a ruhák mosás utáni nedvességét a centrifugálási sebesség befolyásolja. Minél nagyobb a centrifugálási sebesség centrifugálás közben, annál hangosabb lesz a gép és annál szárazabb lesznek a ruhák mosás után.
- A energiahatékonysági címkén lévő QR-kód beolvasásával hozzáférhet termékadatbázisunkhoz, ahol bővebb információt talál modelljéről.

Program neve	Névleges kapacitás kg	Energiafogyasztás kWh/ciklus			Program időtartama Óra: Perc			Vízfogyasztás Liter/ciklus			Maximális hőmérséklet °C			Fennmaradó nedvességtartalom % 1400 Rpm		
		Névleges kapacitás	1/2 töltet	1/4 töltet	Névleges kapacitás	1/2 töltet	1/4 töltet	Névleges kapacitás	1/2 töltet	1/4 töltet	Névleges kapacitás	1/2 töltet	1/4 töltet	Névleges kapacitás	1/2 töltet	1/4 töltet
Pamut 90	8	2,38			03:13			82			81			53%		
Pamut 60	8	1,13			03:35			52			57			53%		
Eco 40-60	8	1,05	0,49	0,27	03:35	02:48	02:30	52	44	37	46	31	25	53%	53%	53%
Műszálas/ Sportruházat	3,5	0,56			01:50			50			42			53%		
Gyors 60	4	1,02			01:00			34			58			53%		
PAMUT 20	4	0,2			01:36			43			20			53%		



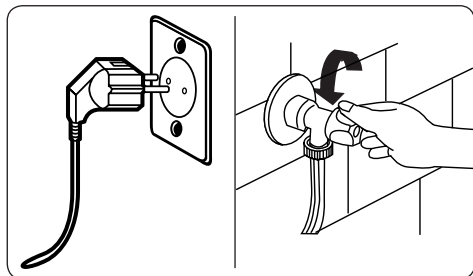
## 6.1 Fontos információk

- Olyan mosószert, öblítőszert és adalékanyagokat használjon, amelyek kizárólag automata mosógépekhez ajánlott. Túl sok hab képződött, ezért az automatikus habelszívórendszer aktiválódott a túlzott mosószert-használat miatt.
- Kéthavonta javasoljuk a mosógép tisztítását. Időszakos tisztításhoz indítsa el a Dobtisztítás programot. Amennyiben mosógépe nem rendelkezik Dobtisztító programmal, használja a Pamut 90 programot. Szükség esetén használjon mosógép vízkötelenítésre alkalmas vízkő-eltávolítót.
- A gép működése közben ne erőltesse az ajtó kinyitását. A mosógép ajtaját 2 perccel a mosási program befejezése után lehet kinyitni. . \*
- A gép működése közben ne erőltesse az ajtó kinyitását. A mosási ciklus végével az ajtó azonnal kinyílik. \*
- A telepítési és javítási folyamatokat mindig a szakszerviz végezze a lehetséges veszélyek elkerülése érdekében. A gyártó nem vonható felelősségre nem hivatalos szakszerviz által végzett munkálatokból fakadó károkért.

(\*) A különböző modellek műszaki tulajdonságai eltérhetnek.

# 7. TISZTÍTÁS ÉS KARBANTARTÁS

## 7.1 Figyelmeztetés



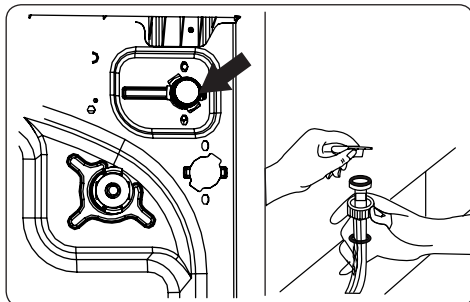
Mielőtt a gépen tisztítást vagy karbantartást végezne, húzza ki a konnektorból és áramtalanítsa.

A gép karbantartásának és tisztításának megkezdése előtt zárja el a vízellátást.

**⚠ FIGYELEM:** Ne használjon oldószert, súrolószereket, üveg tisztítót és más univerzális tisztítószereket a mosógép tisztításához. Az ezekben található vegyi anyagok károsíthatják a műanyag felületeket és más alkatrészeket.

## 7.2 Vízbemeneti szűrők

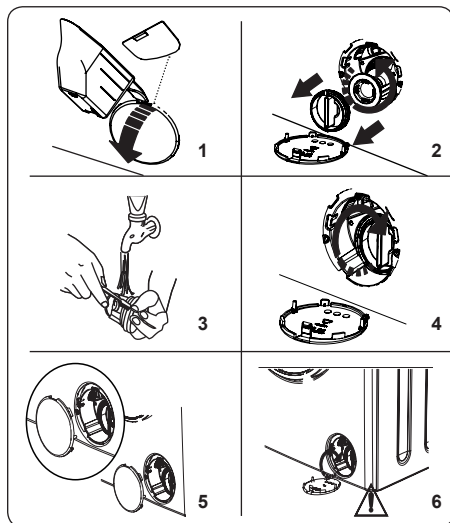
A vízbemeneti szűrők megakadályozzák a szennyeződések és idegen anyagok gépbe jutását. Ha azt tapasztalja, hogy gépe nem tud elég vizet felvenni annak ellenére, hogy a vízellátás biztosított és a vízcsap nyitva van, javasoljuk, hogy tisztítsa meg a szűrőket. A szűrőket kéthavonta célszerű tisztítani.



- Csavarozza le a vízbemeneti tömlő(ket) a mosógépről.
- A vízbemeneti szűrőt hosszúcsőrű fogó segítségével távolíthatja el a vízbeeresztő szelepről, ha finoman meghúzza a szűrőn lévő műanyag rudat.
- A vízbemeneti tömlő vízcsap felőli végén található a másik vízbemeneti szűrő. A másik vízbemeneti szűrőt hosszúcsőrű fogó segítségével távolíthatja el, ha finoman meghúzza a szűrőn lévő műanyag rudat.
- Egy puha kefével alaposan tisztítsa meg a szűrőt, mossa át szappanos vízzel, és jól öblítse le. Tegye vissza a szűrőt és nyomja enyhén a helyére.

**⚠ FIGYELEM:** A vízbeeresztő szelepnél lévő szűrők eltömődhetnek és tönkremehetnek a víz minősége vagy a karbantartás elmulasztása miatt. Ilyenkor vízszivárgás léphet fel. Az ilyen meghibásodásokra nem terjed ki a garancia.

### 7.3 Szivattyúsűrő



A mosógép szivattyú-szűrőrendszere segít meghosszabbítani a szivattyú élettartamát, azáltal, hogy megelőzi a pihék gépbe jutását.

A szivattyúsűrőt kéthavonta javasolt tisztítani.

A szivattyúsűrő a gép elülső felén lent, jobb oldalon található a fedőlap mögött.

A szivattyú szűrőjének megtisztításához:

1. A szivattyú fedelének felnyitásához használhatja a géppel szállított mosópor-adagoló mérőkanalat (\*) vagy a folyékony mosószert szintmérőjét.
  2. Helyezze a mosópor-adagoló mérőkanál végét vagy a folyékony mosószert szintmérőjét a fedőlap nyílásába és finoman húzza maga felé. A fedél kinyílik.
- A szűrőfedél nyitása előtt helyezzen egy edényt a szűrőfedél alá, amelybe kifolyhat a gépben maradt víz.
  - Az óramutató járásával ellentétes irányba forgatva lazítsa meg a szűrőt és húzza ki. Várjon, amíg a víz kifolyik.

### MEGJEGYZÉS: A

gép belsejében lévő víz mennyiségétől függően előfordulhat, hogy a víz összegyűjtésére használt edényt akár több alkalommal is üríteni kell.

3. Egy puha kefével távolítsa el a szűrőből az idegen anyagokat.
4. Tisztítás után illessze a helyére a szűrőt és csavarja be az óramutató járásával megegyező irányban.
5. A szivattyú fedelének lezárásakor ügyeljen rá, hogy a fedél belsejében található alkatrészek illeszkedjenek az elülső paneloldalon található lyukakhoz.
6. Zárja vissza a szűrőfedelet.

### FIGYELMEZTETÉS:

A szivattyúban lévő víz forró lehet. Várjon, amíg a víz lehül, mielőtt megkezdene a gép tisztítását vagy karbantartását.

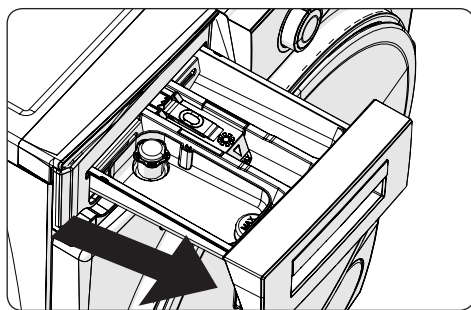
(\*) A különböző modellek műszaki tulajdonságai eltérhetnek.

### 7.4 Mosószert-adagoló fiók

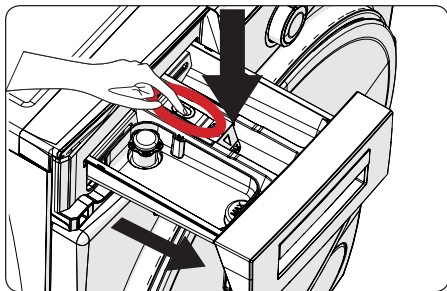
Előfordulhat, hogy idővel a mosószert-adagoló fiókban mosószert-lerakódás alakul ki. A mosószert-adagoló fiókot kéthavonta javasolt kivenni és megtisztítani az összegyűlt lerakódástól.

A mosószert-adagoló fiók eltávolításához:

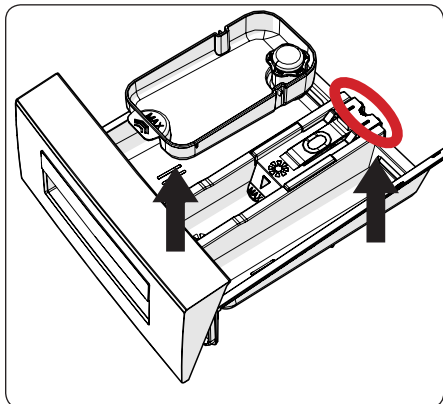
- Húzza ki teljesen a fiókot.



- Nyomja meg a teljesen kihúzott mosószert-adagoló fiók belsejében az ábrán látható részt, majd húzza tovább és vegye ki a helyéről a fiókot



- Távolítsa el a mosószer-adagoló fiókot és szedje szét a kiömlésgátlót. Tisztítsa meg alaposan, távolítson el minden öblítőmaradékot. A tisztítás után illessze vissza a kiömlésgátlót, és ellenőrizze, hogy a helyén van-e.



- Kefé segítségével, bő vízzel öblítse át.
- Gyűjtse össze a mosószer-adagoló fiók belsejének réseiben felgyűlt maradványokat, hogy azok ne kerülhessenek a gépbe.
- Törölköző vagy száraz ruha segítségével szárítsa meg a mosószer-adagoló fiókot és tegye vissza a helyére.

**!** **Ne mossa mosogatógépben a mosószer-adagoló fiókot.**

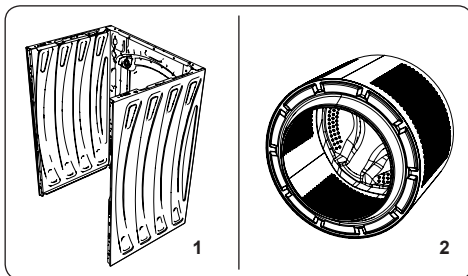
#### **Folyékony mosószer-adagoló eszköz(\*)**

A folyékony mosószer szintmérő tisztításához vegye ki az eszközt a helyéről a lenti ábra szerint, és tisztítsa meg alaposan a mosószer-lerakódásoktól. Tegye vissza az eszközt

a helyére. Ügyeljen rá, hogy a csőben ne maradjon lerakódott anyag.

(\*) A különböző modellek műszaki tulajdonságai eltérhetnek.

## **8. Ház / Dob**



### **1. Ház**

A külső borítás tisztításához használjon gyengéd, nem súrolásra való tisztítószer, vagy szappanos vizet. Törölje szárazra puha ronggyal.

### **2. Dob**

Ne hagyjon fém tárgyakat, például tűket, gemkapcsokat, érméket, stb. a gép belsejében. Ezek a tárgyak rozsdafoltok kialakulását eredményezhetik a dobben. A rozsdafoltok tisztításához használjon klórmentes tisztítószer és kövesse a tisztítószer gyártójának utasításait. Ne használjon acélgapotot vagy hasonló kemény eszközt a rozsdafoltok eltávolításához.

## 9. HIBAELHÁRÍTÁS

A gép javítását mindenkor szakszervizzel kell elvégeztetni. Ha a gép javításra szorul vagy az alábbi tájékoztató segítségével sem oldható meg a probléma, akkor:

- Áramtalanítsa a gépet.
- Zárja el a vízellátást.

HIBA	LEHETSÉGES OK	HIBAELHÁRÍTÁS
A gép nem indul.	A gép nincs áramforráshoz csatlakoztatva.	Csatlakoztassa a gépet az áramforráshoz.
	A biztosíték meghibásodott.	Cserélje ki a biztosítékot.
	Nincsen hálózati áram.	Ellenőrizze a hálózati áramellátást.
	Nincs megnyomva a Start/Szünet gomb.	Nyomja meg a Start/Szünet gombot.
	A programválasztó gomb „stop” állásban van.	Állítsa a programválasztó gombot a kívánt állásba.
	A gép ajtaja nincs teljesen bezárva.	Csukja be a gép ajtaját.
A gép nem vesz fel vizet.	A vízcsap el van zárva.	Nyissa meg a vízcsapot.
	Lehet, hogy a vízbemeneti tömlő meg van tekeredve.	Ellenőrizze a vízbemeneti tömlőt és egyenesítse ki.
	Lehet, hogy a vízbemeneti tömlő el van tömődve.	Tisztítsa meg a vízbemeneti tömlő szűrőt. (*)
	A vízbemeneti tömlő szűrője eltömődött.	Tisztítsa meg a vízbemeneti szűrőket. (*)
	A gép ajtaja nincs teljesen bezárva.	Csukja be a gép ajtaját.
A gép nem ereszti le a vizet.	A vízleeresztő tömlő esetleg eltömődött vagy megtekeredett.	Ellenőrizze a vízleeresztő tömlőt, tisztítsa meg, vagy egyenesítse ki.
	A szivattyúszűrő eltömődött.	Tisztítsa meg a szivattyú szűrőjét. (*)
	A gépben túlságosan össze vannak nyomva a ruhák.	Egyenletesen helyezze el a ruhákat a gépben.
A gép rázkódik.	A lábak nincsenek beállítva.	Állítsa be a lábakat. (**)
	A szállítócsavarok nem lettek eltávolítva a szállítást követően.	Távolítsa el a szállítócsavarokat a gépből. (**)
	Kevés ruha van a dobben.	Ez nem akadályozza a gép működését.
	Túl sok ruha van a gépben vagy nincs egyenletesen elosztva.	Ne terhelje túl a dobot. Oszlassa el egyenletesen a ruhákat a gépben.
	A gép kemény felületen áll.	Ne helyezze üzembe a gépet kemény felületen.
Túl sok hab képződik a mosószer-adagoló fiókban.	Túl sok mosószert használ.	Nyomja meg a Start/Szünet gombot. A habképződés megállításához oldjon fel egy evőkanál öblítőt fél liter vízben, majd öntse a mosószer-adagoló fiókba. 5-10 perc múlva nyomja meg ismét a Start/Szünet gombot.
	Nem megfelelő mosószert használ.	Csak automata mosógéphez gyártott mosószert használjon.
Nem kielégítő mosási eredmény.	A ruhák túl szennyezettek a választott programhoz.	Használja a programtáblázat adatait a szennyeshez leginkább megfelelő program kiválasztásához.
	Nincs elegendő mosószert.	Használjon a csomagoláson feltüntetett mennyiségű mosószert.
	Túl sok ruha van a gépben.	Ellenőrizze, hogy nem lépte-e túl a választott program maximális töltetét.

HIBA	LEHETSÉGES OK	HIBAELHÁRÍTÁS
Nem kielégítő mosási eredmény.	Kemény a víz.	A gyártó utasításait követve növelje a mosószer mennyiségét.
	A gépben túlságosan össze vannak nyomva a ruhák.	Oszlassa el a ruhákat.
Ahogy a gép megtelik vízzel, leereszti a vizet.	A vízleeresztő tömlő vége túl alacsonyan van elhelyezve.	Ellenőrizze, hogy a leeresztő tömlő megfelelő magasságban legyen. (**)
Mosás közben nem látható víz a dobnan.	Ez nem hiba. A víz a dobnak abban a részében van, ami nem látható.	.....
A ruhákon mosószer-maradványok láthatók.	Egyes mosószeres esetében a fel nem oldódó mosószer-részecskék fehér foltot hagyhatnak a ruhán.	Végezzen extra öblítést, vagy száradás után tisztítsa meg a ruhákat egy kefével.
A ruhákon szürke foltok láthatók.	A ruhán olaj vagy krém okozta kezeletlen folt van.	Használjon a csomagoláson feltüntetett mennyiségű mosószert a következő mosás alkalmával.
Nincs centrifugálás, vagy a vártnál később kezdődik.	Ez nem hiba. A ruhák egyenetlen eloszlását érzékelő rendszer aktiválódott.	A ruhák egyenetlen eloszlását érzékelő rendszer megpróbálja egyenletesen elosztani a ruhákat. A centrifugálás akkor indul el, ha a ruhák egyenletesen vannak elosztva. A következő mosás alkalmával oszlassa el a ruhákat egyenletesen.

(\*) Lásd a mosógép tisztításáról és karbantartásáról szóló fejezetet.

(\*\*) Lásd a gép üzembe helyezéséről szóló fejezetet.

## 10. AUTOMATIKUS HIBAJELZÉS ÉS TEENDŐK

A mosógép beépített hibaérzékelő rendszerrel rendelkezik, amely különböző mosási műveletekhez tartozó visszajelzők kombinációját felvillantva jelez. Alább található a leggyakoribb hibakódok.

HIBAKÓD	LEHETSÉGES HIBA	MI A TEENDŐ?
E01	A gép ajtaja nincs megfelelően bezárva.	Zárja be megfelelően az ajtót és figyeljen a kattanásra. Ha a gép továbbra is hibát jelez, kapcsolja ki a gépet, áramtalanítsa és haladéktalanul forduljon a legközelebbi szakszervizhez.
E02	A vízszint vagy a víznyomás alacsony a gépben.	Ellenőrizze, hogy a vízcspap teljesen nyitva van-e. Lehet, hogy a vezetékes vízellátást elzárták. Amennyiben a probléma továbbra is fennáll, a gép idővel magától kikapcsol. Áramtalanítsa a gépet, zárja el a csapot és forduljon a legközelebbi szervizhez.
E03	A szivattyú meghibásodott, vagy a szűrő eltömődött, vagy a szivattyú elektromos csatlakozása meghibásodott.	Tisztítsa meg a szivattyú szűrőjét. Ha a probléma továbbra is fennáll, forduljon a legközelebbi szakszervizhez. (*)
E04	A gép túl sok vizet vesz fel.	A vizet a gép magától leereszti. Amikor a gép leeresztette a vizet, kapcsolja ki és áramtalanítsa a gépet. Zárja el a csapot és forduljon a legközelebbi szakszervizhez.

(\*) Lásd a mosógép tisztításáról és karbantartásáról szóló fejezetet.









## Hvala, ker ste izbrali ta izdelek.

Ta uporabniški priročnik vsebuje pomembne varnostne informacije in navodila glede delovanja in vzdrževanja vaše naprave.

Pred uporabo naprave si vzemite čas in preberite uporabniški priročnik ter ga shranite za kasnejšo uporabo.

Ikona	Tip	Pomen
	<b>OPOZORILO</b>	Nevarnost resne poškodbe ali smrti
	<b>NEVARNOST ELEKTRIČNEGA UDARA</b>	Nevarna napetost
	<b>POŽAR</b>	Opozorilo; Nevarnost požara / vnetljivi materiali
	<b>POZOR</b>	Tveganje poškodbe ali premoženjske škode
	<b>POMEMBNO / OPOMBA</b>	Pravilno delovanje sistema

# VSEBINA

<b>1.VARNOSTNA NAVODILA.....</b>	<b>1</b>
1.1 Splošna varnostna opozorila .....	2
1.2 Med uporabo .....	6
1.3 Embalaža in okolje .....	7
1.4 Informacije o prihrankih .....	7
<b>2.TEHNIČNE SPECIFIKACIJE .....</b>	<b>9</b>
2.1 Splošni videz .....	9
2.2 Tehnične specifikacije .....	9
<b>3.NAMESTITEV .....</b>	<b>10</b>
3.1 Odstranjevanje prehodnih vijakov .....	10
3.2 Prilagoditev stopal / Prilagajanje nastavljivih nog .....	10
3.3 Električna povezava .....	10
3.4 Priključek za dovajanje vode .....	11
3.5 Priključek za odvajanje vode .....	12
<b>4.PREGLED NADZORNEGA PANELA .....</b>	<b>12</b>
4.1 Predal za pralno sredstvo .....	12
4.2 Odseki .....	13
4.3 IZBIRA PROGRAMA .....	13
4.4 Elektronski prikaz .....	13
<b>5.UPORABA VAŠEGA STROJA .....</b>	<b>14</b>
5.1 Priprava perila .....	14
5.2 Polaganje perila v stroj .....	14
5.3 Dodajanje detergenta v stroj .....	15
5.4 Upravljanje stroja .....	15
5.5 Izbira programa .....	15
5.6 Sistem za samodejno zaznavanje Polovične Obremenitve .....	15
5.7 Dodatne funkcije .....	16
5.8 Otroška ključavnica .....	18
5.9 Preklic programa .....	18
5.10 Konec programa .....	19
<b>6.PREGLEDNICA PROGRAMOV .....</b>	<b>20</b>
6.1 Pomembne informacije .....	23
<b>7.ČIŠČENJE IN VZDRŽEVANJE .....</b>	<b>24</b>
7.1 Opozorilo .....	24
7.2 Filtri za dovod vode .....	24
7.3 Filter črpalke .....	25
7.4 Predal za pralno sredstvo .....	25
<b>8.Telo / Boben .....</b>	<b>26</b>
<b>9.ODPRAVLJANJE TEŽAV .....</b>	<b>27</b>
<b>10.SAMODEJNA OPOZORILA O NAPAKAH IN KAJ NAREEDITI .....</b>	<b>28</b>

# 1. VARNOSTNA NAVODILA

Delovna napetost / frekvenca:	(220-240) V~/50Hz
Skupni tok (A)	10
Vodni tlak (Mpa)	Maximum 1 Mpa / Minimum 0. 1Mpa
Skupna moč (W):	2100
Največja količina perila za pranje (suho perilo) (kg)	8

- Stroja ne postavite na preprogo ali takšna tla, ki bodo onemogočila prezračevanje od spodaj.
- Naprave niso namenjene uporabi oseb (vključno z otroki) z zmanjšanimi fizičnimi, senzoričnimi ali duševnimi sposobnostmi ali pomanjkanjem izkušenj in znanja, razen če jim nadzor nad napravo ali navodilom o uporabi naprave ne da oseba, odgovorna za njihovo varnost.
- Otroke, mlajše od 3 let, morajo biti stran, razen če so stalno pod nadzorom.
- Za pomoč pri okvarah napajalnega kabla pokličite najbližji pooblaščen servis.
- Med povezovanjem cevi za dovod vode uporabljajte le nove cevi za dovod vode, ki so dobavljene skupaj s strojem. Nikoli ne uporabljajte starih, uporabljenih ali poškodovanih cevi za dovod vode.
- Otroci se ne smejo igrati z napravo. Čiščenja in vzdrževanja ne smejo opravljati otroci brez nadzora.

**OPOMBA:** Za kopijo tega priročnika se obrnite na naslednji naslov: "washingmachine@standardtest.info". V svojem elektronskem sporočilu navedite ime modela in serijsko številko (20-mestna številka), ki jo najdete na vratih naprave.

**Pazljivo preberite ta uporabniški priročnik.**

**Vaš stroj je samo za domačo uporabo. Če ga uporabite v komercialne namene, bo vaša garancija preklicana.**



**Ta priročnik je pripravljen za več modelov, zato vaša naprava morda nima nekaterih funkcij, opisanih znotraj. Zaradi tega je med branjem operacijskega priročnika pomembno biti pozoren na katere koli figure.**

## **1.1 Splošna varnostna opozorila**

- Potrebna temperatura okolice za idealno delovanje vašega stroja je 15-25°.
- V predelih, kjer je temperatura pod 0 °C, elektronska kartica morda ne bo delovala varno.
- Prepričajte se, da oblačila, naložena v vašem pralnem stroju, ne vsebujejo tujkov, kot so žebliji, igle, vžigalniki in kovanci.
- **Priporočljivo je, da za prvo pranje izberete program 90 ° bombaž brez perila in pol napolnjenega predala II za detergent s primernim detergentom.**
- Ostanke lahko nastanejo na detergentu in mehčalcih, ki so dalj časa izpostavljeni zraku. V predal vstavite samo mehčalec ali detergent na začetku vsakega pranja.

- Izključite svoj pralni stroj in izklopite dovod vode, če pralni stroj dlje časa ne uporabljate. Priporočamo tudi, da pustite vrata odprta, da preprečite kopičenje vlage v pralnem stroju.
- V pralnem stroju lahko ostane nekaj vode kot rezultat preverjanja kakovosti med proizvodnjo. To ne bo vplivalo na delovanje vašega pralnega stroja.
- Embalaža stroja je lahko nevarna za otroke. Ne dovolite otrokom, da se igrajo s embalažo ali majhnimi deli iz pralnega stroja.
- Hranite embalažni material na mestu, kjer otroci nimajo dostopa ali pa ga ustrezno zavržite.
- Programe predpranja uporabljajte le za zelo umazana oblačila.

⚠ Med delovanjem stroja nikoli ne odpirajte predala za detergent.

- V primeru okvare izklopite stroj iz električnega omrežja in izklopite dovod vode. Ne poskušajte opraviti nobenih popravil. Obrnite se na najbližjega pooblaščenega serviserja.
- Ne prekoračite največje dovoljene obremenitve za izbrani program pranja.

⚠ Med delovanjem stroja ne poskušajte vrat odpreti na silo.

- Pranje perila, ki vsebuje moko, lahko poškoduje vaš stroj.
- Upoštevajte navodila proizvajalcev glede uporabe balzama za tkanine ali podobnih izdelkov, ki jih nameravate uporabiti v vašem pralnem stroju.
- Prepričajte se, da vrata vašega pralnega stroja niso omejena in jih je mogoče v celoti odpreti.

Vaš stroj namestite na mesto, ki ga je mogoče popolnoma prezračevati in je po možnosti stalno kroženje zraka.

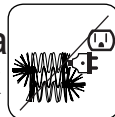
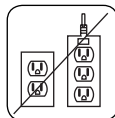
**⚠ Preberite ta opozorila. Upoštevajte nasvete, da zaščitite sebe in druge pred tveganji in smrtnimi poškodbami.**

## **TVEGANJE IZGOREVANJA**

**⚠** Med delovanjem pralnega stroja se ne dotikajte odtočne cevi ali izpraznjene vode. Visoke temperature predstavljajo nevarnost opeklin.

## **⚠⚡ TVEGANJE SMRTI ZARADI ELEKTRIČNEGA TOKA**

- Pralnega stroja ne priključujte na električno omrežje s podaljškom.
- Ne vstavite poškodovanega vtiča v vtičnico.
- Nikoli ne odstranjajte vtiča iz vtičnice, tako da povlečete kabel. Vedno držite vtiča.
- Nikoli se ne dotikajte napajalnega kabla / vtiča z mokrimi rokami, ker lahko to povzroči kratek stik ali električni udar.
- Ne dotikajte se pralnega stroja, če so roke ali stopala mokre.
- Poškodovan napajalni kabel/vtič lahko povzroči požar ali električni udar. Če je poškodovan, ga je treba zamenjati, kar pa lahko naredi le usposobljeno osebje.



## **⚠ Nevarnost poplave**

- Preden postavite odtočno cev v umivalnik, preverite hitrost pretoka vode.
- Izvedite potrebne ukrepe, da cev ne zdrsne.
- Če ni pravilno pritrjen, lahko pretok vode odstrani

cev. Prepričajte se, da čep v umivalniku ne blokira luknjo za čep.

### **⚠ Nevarnost požara**

- Ne hranite vnetljivih tekočin v bližini vašega stroja.
- Vsebnost žvepla v odstranjevalcih barve lahko povzroči korozijo. V stroju nikoli ne uporabljajte materialov za odstranjevanje barve.
- Nikoli ne uporabljajte izdelkov, ki vsebujejo topila v vašem stroju.
- Prepričajte se, da oblačila, naložena v vašem pralnem stroju, ne vsebujejo tujkov, kot so žebliji, igle, vžigalniki in kovanci.

### **Nevarnost požara in poškodb**

#### **⚠ Nevarnost padca in poškodb**

- Ne plezajte na svoj pralni stroj.
- Prepričajte se, da cevi in kabli ne povzročajo nevarnosti potovanja.
- Pralnega stroja ne obračajte na glavo ali na njegovo stran.
- Pralnega stroja ne dvigujte z vrati ali predalnikom detergenta.



#### **⚠ Stroj morata prevažati vsaj 2 osebi.**

#### **⚠ Varnost otrok**

- Pazite, da se otroci ne zadržujejo v bližini stroja brez nadzora. Otroci se lahko zaklenejo v stroj, kar se lahko konča s smrtjo.
- Med delovanjem ne dovolite, da bi se otroci dotikali steklenih vrat. Površina postane zelo vroča in lahko poškoduje kožo.

- Embalažni material hranite izven dosega otrok.
- V primeru zaužitja detergenta in čistilnih materialov ali če pridejo v stik s kožo in očmi, lahko pride do zastrupitve in draženja. Čistilna sredstva hranite izven dosega otrok.




## 1.2 Med uporabo

- Obdržite hišnih ljubljencev stran od svojega stroja.
- Pred odstranitvijo embalaže preverite embalažo vašega stroja in zunanjo površino stroja. Stroja ne uporabljajte, če je videti poškodovan ali če je bila embalaža odprta.
- Vaš stroj mora namestiti samo pooblaščen serviser. Namestitev, ki jo opravi kdo drug kot pooblaščen zastopnik, lahko razveljavi vašo garancijo.
- Ta stroj smejo uporabljati otroci, starejši od 8 let, in osebe s psihičnimi, senzoričnimi ali duševnimi motnjami in neusposobljene ali neizkušene osebe, če so pod nadzorom ali če so prejele navodila za uporabo proizvoda na varen način in razumejo vpletene nevarnosti. Otroci se ne smejo igrati z napravo. Čiščenja in vzdrževanja ne smejo opravljati otroci brez nadzora.
- Stroj uporabljajte le za perilo, ki ga je proizvajalec označil kot primerno za pranje v stroju.
- **Pred uporabo pralnega stroja odstranite 4 prehodne vijake in gumijaste distančnike z zadnjega dela stroja. Če vijakov ne odstranite, lahko povzročijo močne vibracije, hrup in nepravilno delovanje stroja in povzročijo razveljavitev garancije.**



- Vaša garancija ne pokriva škode, ki jo povzročijo zunanji dejavniki, kot so požar, poplava in drugi viri škode.
- Prosimo, ne zavržite tega uporabniškega priročnika; hranite ga za nadaljnjo uporabo in ga prenesite naslednjem lastniku.

 **OPOMBA:** Specifikacije stroja se lahko razlikujejo glede na kupljen izdelek.

Zamenjavo pogonskega jermena naj opravi le pooblaščen servis.

Samo originalni rezervni jermen: 42006396 Optibelt 6 EPJ 1236

## 1.3 Embalaža in okolje

### Odstranjevanje embalažnih materialov

Embalažni materiali ščitijo vaš stroj pred kakršnimi koli poškodbami, ki bi nastale med prevozom. Embalažni materiali so okolju prijazni, saj jih je mogoče reciklirati. Uporaba recikliranega materiala zmanjšuje porabo surovin in zmanjšuje nastajanje odpadkov.

## 1.4 Informacije o prihrankih

Nekaj pomembnih informacij za najučinkovitejšo uporabo vašega stroja:

- Ne prekoračite največje dovoljene obremenitve za izbrani program pranja. To bo omogočilo delovanje vašega stroja v varčevalnem načinu.

- Za rahlo umazano perilo ne uporabljajte funkcije predpranja. Tako boste prihranili pri porabi električne energije in vode.

#### **Izjava o skladnost CE**

Izjavljamo, da naši izdelki izpolnjujejo veljavne evropske direktive, odločbe in uredbe ter zahteve, navedene v referenčnih standardih.

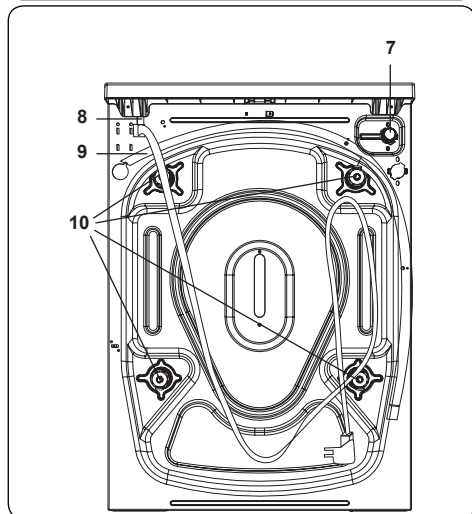
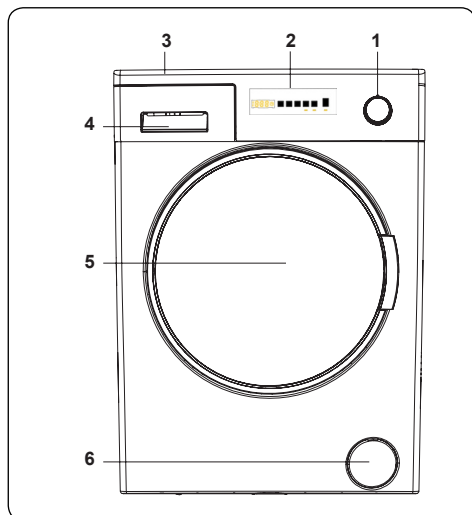
#### **Odstranjevanje starega stroja**



Simbol na izdelku ali embalaži označuje, da s tem izdelkom ne smete ravnati kot z gospodinjskimi odpadki. Predati ga je treba na ustrezno zbirno mesto za recikliranje električne in elektronske opreme. S pravilnim odlaganjem tega izdelka pripomorete k preprečevanju morebitnih negativnih posledic za okolje in zdravje, ki so lahko vzrok nepravilnega ravnanja pri odstranjevanju tega izdelka. Za podrobnejše informacije o recikliranju tega izdelka se obrnite na lokalni urad, službo za

odstranjevanje gospodinjskih odpadkov ali trgovino, kjer so izdelek kupili.

## 2. TEHNIČNE SPECIFIKACIJE



### 2.1 Splošni videz

1. IZBIRA PROGRAMA
2. Elektronski prikaz
3. Zgornji pladenj
4. Predal za pralno sredstvo
5. Boben
6. Pokrov filtra črpalke
7. Vstopni ventil za vodo
8. Napajalni kabel
9. Izpustna cev za odtok vode.

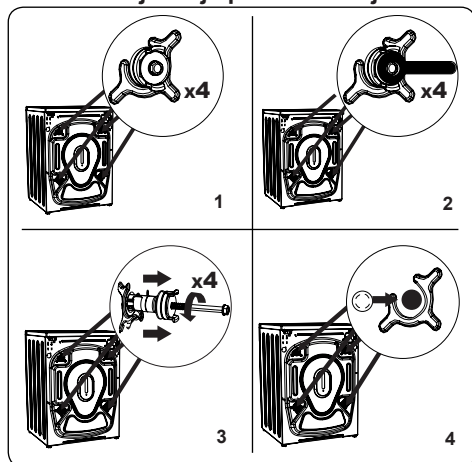
### 10. Tranzitni vijaki

#### 2.2 Tehnične specifikacije

Delovna napetost/ frekvenca (V/Hz)	(220-240) V~/50Hz
Skupni tok (A)	10
Vodni tlak (Mpa)	Maksimum: 1 Mpa Minimum: 0.1 Mpa
Skupna moč (W):	2100
Največja količina suhlega perila (kg)	8
Vrtljaji (vrt / min)	1400
Številka programa	15
Dimenzije (mm)	
Višina	845
Širina	597
Globina	527

## 3. NAMESTITEV

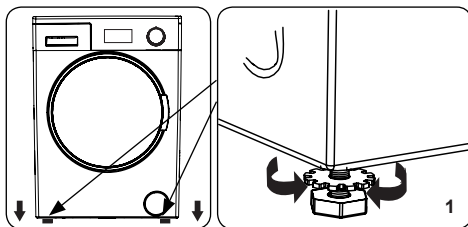
### 3.1 Odstranjevanje prehodnih vijakov



1. Pred uporabo pralnega stroja odstranite 4 prehodne vijake in gumijaste distančnike z zadnjega dela stroja. Če vijakov ne odstranite, lahko povzročijo močne vibracije, hrup in nepravilno delovanje stroja in povzročijo razveljavitev garancije.
2. Odvijte tranzitne vijake tako, da jih odvrtite v nasprotni smeri urinega kazalca z ustreznim ključem.
3. Odstranite tranzitne vijake z ravnim potegom.
4. Plastične zaporne pokrovčke, priložene v vrečki z dodatki, namestite v vrzeli, z odstranitvijo prehodnih vijakov. Tranzitne vijake je treba shraniti za nadaljnjo uporabo.

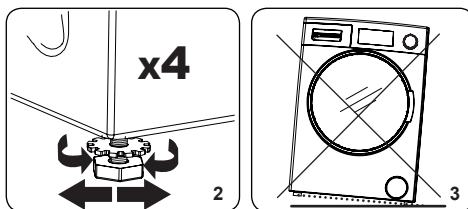
**OPOMBA:** Pred prvo uporabo stroja odstranite tranzitne vijake. Napake, ki nastanejo zaradi stroja, ki deluje s nameščenimi tranzitnimi vijaki, ne spadajo v garancijo.

### 3.2 Prilagoditev stopal / Prilaganje nastavljivih nog



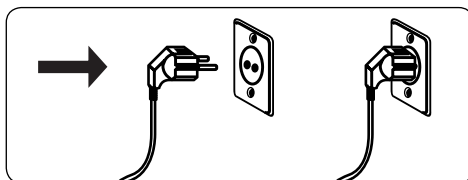
1. Naprave ne namestite na površino (na primer preprogo), ki bi preprečevala prežračevanje od spodaj.

  - Če želite zagotoviti nemoten in brez vibracij stroj, ga namestite na trdno površino.
  - Stroj lahko izravnate z nastavljivimi nogami.
  - Odvijte plastično zaporno matico.



2. Če želite povečati višino stroja, vrtite noge v smeri urinega kazalca. Če želite zmanjšati višino stroja, obrnite noge v nasprotni smeri urinega kazalca.
    - Ko je stroj raven, privijte zaporne matice tako, da jih zavrtite v smeri urinega kazalca.
3. Nikoli ne vstavljajte kartona, lesa ali drugih podobnih materialov pod stroj, da ga izravnate.
    - Med čiščenjem tla, na katerem se nahaja stroj, pazite, da ne boste motili nivoja stroja.

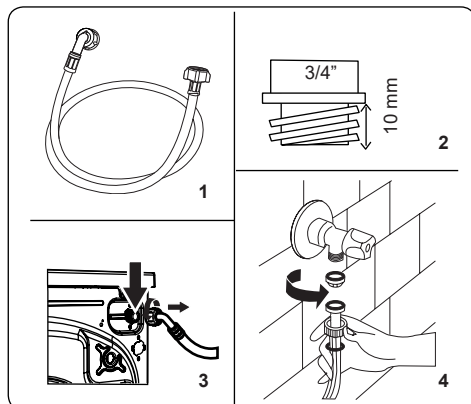
### 3.3 Električna povezava



- Vaš pralni stroj potrebuje napajanje od 220 do 240 V, 50 .
- Omrežni kabel vašega pralnega stroja je opremljen z ozemljenim vtičem. Ta vtič je treba vedno vstaviti v ozemljeno vtičnico 10 amperov.
- Če nimate ustrezne vtičnice in varovalke, ki bi bila skladna s tem, se prepričajte, da delo izvaja kvalificirani električar.
- Za škodo, ki nastane zaradi opreme, ki ni električno ozemljena., ne prevzemamo odgovornosti.

**OPOMBA:** Delovanje stroja pri nizki napetosti skrajša tehnično življenjsko dobo vašega stroja in omeji njegovo učinkovitost.

### 3.4 Priključek za dovajanje vode

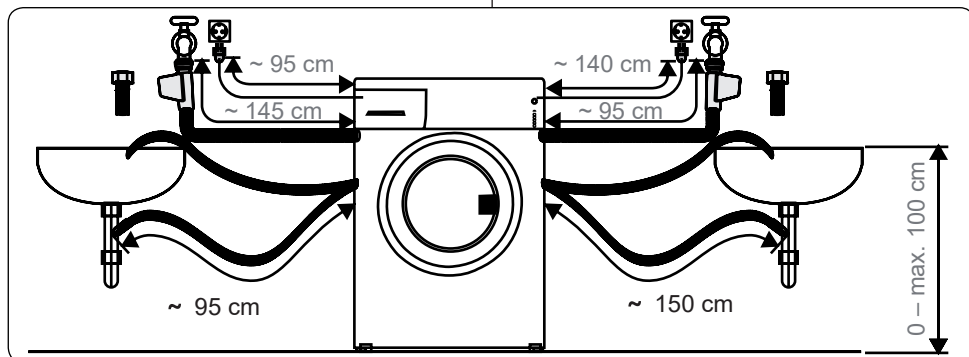


1. Vaša naprava ima lahko en sam priključek za dovod vode (hladna) ali dvojni priključek za dovod vode (vroča

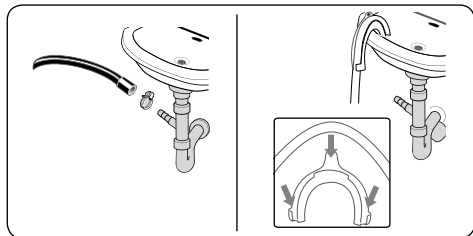
in hladna), odvisno od specifikacij stroja. Belo pokrovno cev je treba priključiti na dovod hladne vode, rdečo pokrovno cev pa na dovod tople vode (če je na voljo)

- Da preprečite puščanje vode na spojih, je v embalaži skupaj s cevjo, sta priloženi 1 ali 2 matici (odvisno od specifikacije vašega stroja). Namestite te matice na koncu cevi, ki se priključijo na dovod vode.
2. Nove cevi za dovod vode priključite na  $\frac{3}{4}$  " navojno pipo.
    - Priključite beli konec cevi za dovod vode na beli ventil za dovod vode na zadnji strani stroja in rdeč konec cevi na rdeči ventil za dovod vode (če je na voljo).
    - Ročno zategnite povezave. V primeru dvoma se posvetujte s kvalificiranim inštalaterjem.
    - Pretok vode s tlakom 0. 1-1 Mpa pripomore k boljši učinkovitosti stroja (tlak 0. 1 Mpa pomeni, da več kot 8 litrov vode steče skozi popolnoma odprto pipo v eni minuti).
  3. Ko izvedete vse povezave, previdno vklopite dovod vode in preverite, da puščajo.
  4. Poskrbite, da nove cevi za dovod vode ne bodo ujete, upognjene, zvite, zložene ali zdrobljene.
    - Če ima vaš stroj priključek za vročo vodo, temperatura dovoda tople vode ne sme biti višja od 70 ° C.

**OPOMBA:** Vaš pralni stroj mora biti na vašo vodo priključen samo s priloženo novo cevjo za polnjenje. Starih cevi ne smete ponovno uporabiti.

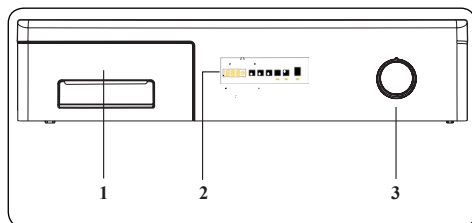


### 3.5 Priključek za odvajanje vode



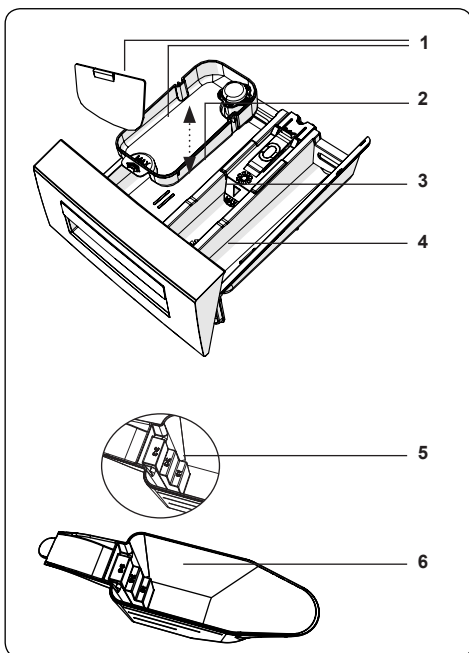
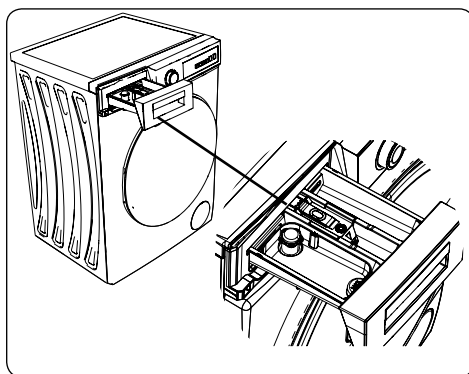
- S pomočjo dodatne opreme priključite cev za odtok vode v izpustno cev ali na izstopni komolec gospodinjskega umivalnika.
- Nikoli ne poskušajte podaljšati cevi za odtok vode.
- Ne odlagajte cevi za odtok vode iz svojega stroja v posodo, vedro ali kopalno kad.
- Prepričajte se, da cev za odtok vode ni skrivljena, upognjena, zdrobljena ali podaljšana.
- Cev za odtok vode mora biti nameščena na najvišji višini 100 cm od tal.

## 4. PREGLED NADZORNEGA PANELA



1. Predal za pralno sredstvo
2. Elektronski prikaz
3. IZBIRA PROGRAMA

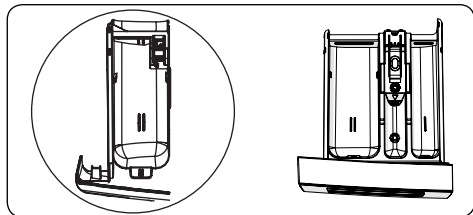
### 4.1 Predal za pralno sredstvo



1. Pripomoki za tekoče pralno sredstvo
  2. Predelek glavnega pralnega sredstva
  3. Predelek za mehčanje
  4. Predelek sredstva za predpranje
  5. Ravni praškastega detergenta
  6. Zajemalka praškastega detergenta (\*)
- (\*) Specifikacije stroja se lahko razlikujejo glede na kupljen izdelek.

## 4.2 Odseki

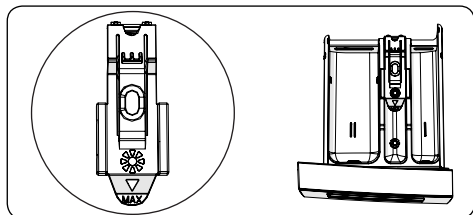
### Predelek glavnega pralnega sredstva



Ta predal je namenjen tekočim ali prašnim detergentom ali odstranjevalcem vodnega kamna. Plošča s nivojem tekočega detergenta bo priložena vašemu stroju.

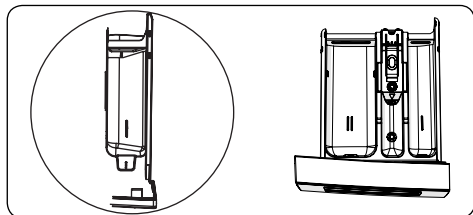
(\*)

### Balzam za tkanine, škrob, predal za detergent:



Ta predal je namenjen mehčalcem, balzamu ali škrobu. Sledite navodilom na embalaži. Če mehčalci po uporabi puščajo ostanke, jih poskusite razredčiti ali uporabiti tekoče mehčalo.

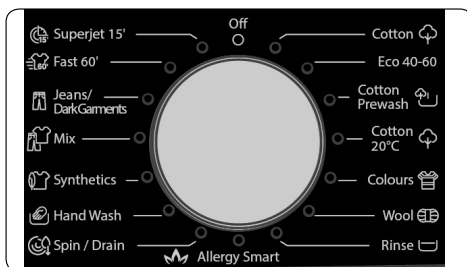
### Predelek sredstva za predpranje



Ta predelek uporabljajte le, ko izberete funkcijo predpranja. Priporočeno je, da funkcijo predpranja uporabite le za zelo umazano perilo.

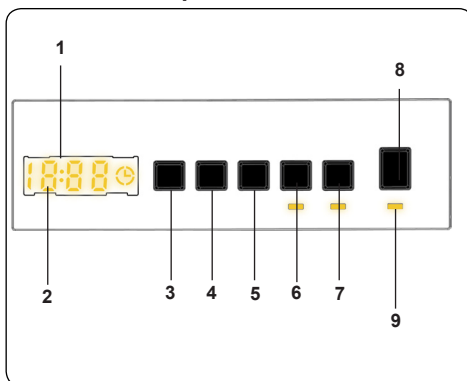
(\*) Specifikacije stroja se lahko razlikujejo glede na kupljen izdelek.

## 4.3 IZBIRA PROGRAMA



- Če želite izbrati želeni program, vrtite programski gumb v smeri urinega kazalca ali v nasprotni smeri urinega kazalca, dokler oznaka na številki programa ne kaže na izbrani program.
- Preverite, da je gumb za izbiro programa nastavljen natančno na program, ki ga želite izbrati.

## 4.4 Elektronski prikaz

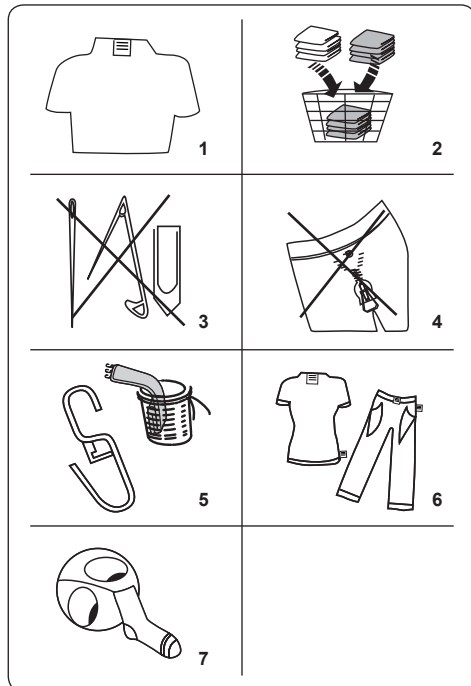


1. Elektronski prikaz
2. Digitalni prikaz
3. Gumb za prilagajanje temperature vode
4. Gumb za prilagoditev vrtilne frekvence
5. Dodatna Funkcija Zakasnjjen začetek
6. Gumb 1 za dodatno funkcijo
7. Gumb 2 za dodatno funkcijo
8. Gumb za zagon/premor
9. Lučka gumba za zagon/premor

Na prikazovalnem zaslonu so prikazani časovnik zakasnitve pranja (če je nastavljen), izbira temperature, hitrost centrifugiranja, vse izbrane dodatne funkcije. Ko je izbrani program končan, se na zaslonu prikaže "End". Na zaslonu se prikaže tudi, če je prišlo do napake na vaši napravi.

## 5. UPORABA VAŠEGA STROJA

### 5.1 Priprava perila



1. Upošteвайте navodila, navedena na nalepkah za nego na oblačilih.
  - Perilo ločite glede na vrsto (bombaž, sintetično, občutljivo, volna itd.), Temperaturo pranja (hladno, 30 °, 40 °, 60 °, 90 °) in stopnjo umazanije (rahlo obarvano, obarvano, močno obarvano).

2. Ne perite skupaj barvnega in belega perila.

- Temni tekstil lahko vsebuje odvečno barvilo in ga je treba večkrat oprati ločeno.

3. Prepričajte se, da ni kovinskih predmetov na vašem perilu ali v žepih; če so, jih odstranite.

**! POZOR:** Morebitne okvare, ki nastanejo zaradi tujih materialov, ki poškodujejo vaš stroj, niso zajeti v garanciji.

4. Zaprite zadrgne in pritrdite vse kavlje in ušesca.

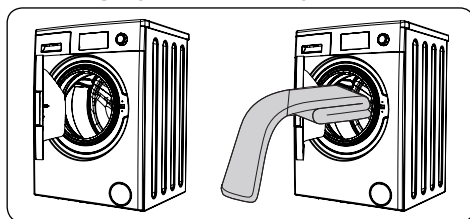
5. Odstranite kovinske ali plastične kavlje

zaves ali jih položite v mreži ali vrečko za pranje.

6. Obrnite tkanine, kot so hlače, pletenine, majice in trenirke.
7. Nogavice, robčke in podobno manjše perilo perite v mreži za pranje.

Lahko se beli	Ne uporabljajte belila	Običajno pranje
Maksimalna temperatura likanja 150°C	Maksimalna temperatura likanja 200°C	Ne likajte
Cn je treba kemično očistiti	Brez kemičnega čiščenja	Posušite ravno
Kapljanje posušite	Obesite za sušenje.	Ne sušite
Dovoljeno je kemično čiščenje v plinskem olju, čistem alkoholu in R113	Perchloroethylene R11, R13, Petroleum	Perchlorinetylene R11, R113, Plinsko olje

### 5.2 Polaganje perila v stroj



- Odprite vrata svojega stroja.
- Perilo enakomerno razporedite po stroju.

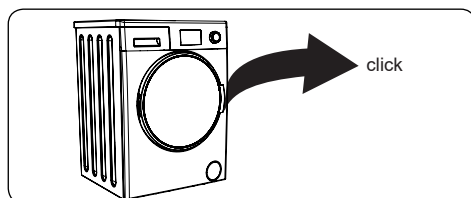
**OPOMBA:** Pazite, da ne presežete največje obremenitve bobna, ker boste s tem pustili slabe rezultate pranja in povzročili zmečkanje. Za informacije o nosilnosti glejte tabele programa pranja.



Naslednja tabela prikazuje približne teže običajnih perila:

VRSTA PERILA	TEŽA (gr)
Brisača	200
Posteljina	500
Kopalni plašč	1200
Prešita prevleka	700
Prevleka za blazino	200
Spodnje perilo	100
Prt	250

- Vstavite vsak kos perila posebej.
- Prepričajte se, da med gumijastim tesnilom in vrati ni nobenih predmetov perila.
- Nežno potisnite vrata, dokler se ne zapre.



- Prepričajte se, da so vrata popolnoma zaprta, sicer se program ne bo zagnal.

### 5.3 Dodajanje detergenta v stroj

Količina pralnega sredstva, ki ga boste dodali v stroj, je odvisna od naslednjih kriterijev:

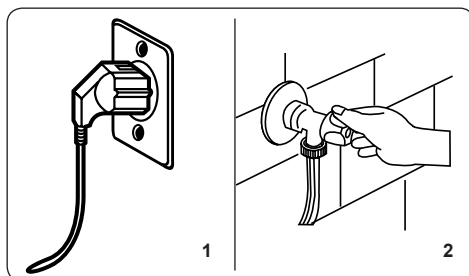
- Če so vaša oblačila le rahlo umazana, predpranje ni potrebno. V predalu II, predal za detergent, vstavite majhno količino detergenta (kot je določil proizvajalec).
- Če so vaša oblačila prekomerno umazana, izberite program predpranja in vstavite  $\frac{1}{4}$  detergenta, ki ga boste uporabili, v predal I in ostalo v predelu II.
- Uporabite pralna sredstva, ki so izdelana za samodejne pralne stroje. Upoštevajte navodila proizvajalca o količini uporabljenega detergenta.
- Na območjih s trdo vodo bo potrebno več detergenta.
- Količina potrebnega detergenta se bo

povečala, z večjim pralnim tovorom.

- V srednji del predala za detergent postavite mehčalec. Ne presegajte ravni MAX.
- Gosti mehčalci lahko povzročijo zamašitev predala in ga je treba razredčiti.
- V vseh programih je možno uporabljati tekoče detergente brez predpranja. To naredite tako, da ploščo nivoja tekočega detergenta (\*) potisnete v vodila v predelu II, predala detergenta. Uporabite črte na plošči kot vodilo, da napolnite predal na zeleno raven.

(\*) Specifikacije stroja se lahko razlikujejo glede na kupljen izdelek.

### 5.4 Upravljanje stroja



1. Priključite svoj stroj na električno omrežje.
2. Vključite dovod vode.
  - Odprite vrata stroja.
  - Perilo enakomerno razporedite po stroju.
  - Nežno potisnite vrata, dokler se ne zapre.

### 5.5 Izbira programa

S pomočjo programskih tabel izberite najprimernejši program za svoje perilo.

### 5.6 Sistem za samodejno zaznavanje Polovične Obremenitve

Vaš stroj je opremljen s funkcijo samodejnega zaznavanja Polovične Obremenitve.

Če v svoj stroj postavite manj kot polovico maksimalnega perila, bo ta samodejno nastvil funkcijo polovičnega nalaganja, ne glede na program, ki ste ga izbrali. To pomeni, da bo izbrani program potreboval

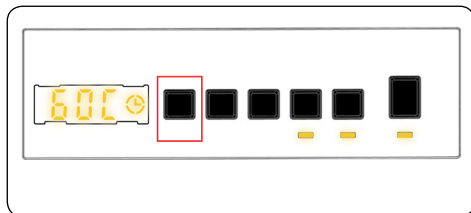
manj časa za dokončanje in bo porabil manj vode in energije.

(\*) Odvisno od modela

## 5.7 Dodatne funkcije

### 1. Izbira temperature

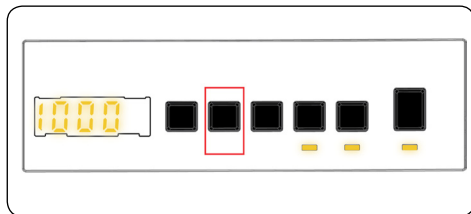
S pomočjo gumba za nastavev temperature pralne vode spremenite samodejno programirano temperaturo pralne vode.



Ko izberete program, se samodejno izbere najvišja temperatura za ta program. Če želite prilagoditi temperaturo, pritisnite gumb za nastavev temperature vode, dokler se na digitalnem zaslonu ne prikaže zelena temperatura.

Z gumbom za prilagoditev temperature vode za pranje lahko postopoma zmanjšate temperaturo vode za pranje med najvišjo temperaturo in hladnim pranjem (--). (-- C).

### 2. Izbira hitrosti centrifugiranja

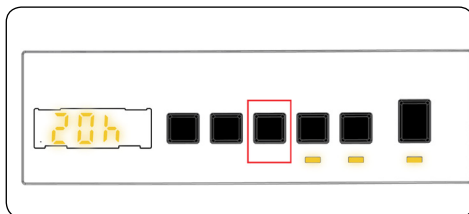


Ko izberete program, se samodejno izbere najvišja hitrost centrifugiranja za ta program.

Če želite prilagoditi hitrost centrifugiranja med največjo hitrostjo centrifugiranja in možnostjo preklica centrifugiranja, (--), pritisnite gumb za hitrost centrifugiranja, dokler se ne prikaže zelena hitrost.

Če ste preskočili hitrost centrifugiranja, ki jo želite nastaviti, nadaljujte s pritiskom gumba za nastavev hitrosti centrifugiranja, dokler se znova ne prikaže zelena hitrost vrtenja.

## 3. Časovni zamik



S to pomožno funkcijo lahko odložite čas začetka pralnega cikla za 1 do 23 ur

Za uporabo funkcije časovnega zamika:

- Enkrat pritisnete tipko za časovni zamik.
- "01h" se prikaže. ☉ zasveti na elektronskem zaslonu.
- Pritisnite tipko za časovni zamik, dokler ne dosežete časa, po katerem želite, da stroj začne cikel pranja.
- Če ste preskočili čas časovnega zamika, ki ga želite nastaviti, lahko še naprej pritisnete tipko za časovni zamik, dokler ne dosežete tega časa.
- Če želite uporabiti funkcijo časovnega zamika, morate pritisniti tipko zagon/premor, da bi zagnali stroja.
- Če želite preklicati časovni zamik:
  - Če ste za zagon stroja pritisnili tipko zagon/premor, morate samo enkrat pritisniti tipko za časovni zamik. ☉ se izključi na elektronskem zaslonu.
  - Če še niste pritisnili tipke zagon/premor, pritisnite neprekinjeno tipko za časovni zamik ☉, dokler se na elektronskem zaslonu ne izklopi. ☉ se izključi na elektronskem zaslonu.



**OPOMBA:** Če želite izbrati funkcijo pomožne funkcije, če LED za pomožno funkcijo ne sveti, to pomeni, da se ta funkcija ne uporablja v izbranem programu pranja.

#### 4. Pomočnik s paro (\*)



Gumb 3 pomožne funkcije 3 Pomočnik s paro

Z nanosom pare lahko perilo po pranju postane manj nagubano. Para prodre in razrahlja oblačila, odpravi gube in naša oblačila pusti mehka in občutljiva.

#### 5. Antialergijsko(\*)



Gumb 3 pomožne funkcije ali 4 Antialergijsko

S to dodatno funkcijo lahko perilu dodate dodatno operacijo izpiranja. Vaš stroj izvaja vse korake izpiranja z vročo vodo. Priporočamo to nastavitve za perilo, ki ga nosite na občutljivi koži, otroška oblačila in spodnje perilo.

Če želite izbrati to funkcijo, pritisnite na antialergijsko tipko. ☹ ob prikazu simbola.

#### 6. Enostavno likanje(\*)

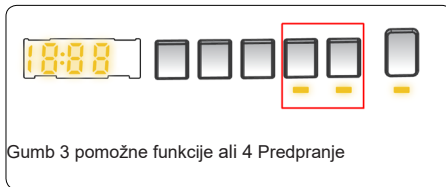


Gumb 3 pomožne funkcije ali 4 Enostavno likanje

Z uporabo te funkcije bo vaše perilo na koncu izbranega programa pranja manj nagubano.

Če želite izbrati to funkcijo, pritisnite gumb Enostavno likanje ☹ ob prikazu simbola

#### 7. Predpranje(\*)



Gumb 3 pomožne funkcije ali 4 Predpranje

Ta dodatna funkcija vam omogoča, da močno umazano perilo predpranjem opravite pred glavnim programom pranja. Med uporabo te funkcije, dodajte pralno sredstvo v sprednji predelek predala za pralno sredstvo.

Če želite izbrati to funkcijo, pritisnite gumb Predpranje ☹ ob prikazu simbola.

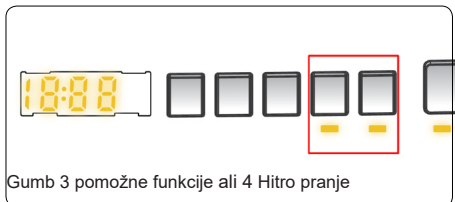
#### 8. Dodatno izpiranje (\*)



Gumb 3 pomožne funkcije ali 4 Dodatno izpiranje

S to dodatno funkcijo lahko na koncu izbranega programa pranja dodate dodatno izpiranje. Če želite izbrati to funkcijo, pritisnite gumb za dodatno izpiranje. ☹ ob prikazu simbola.

#### 9. Hitro pranje (\*)



Gumb 3 pomožne funkcije ali 4 Hitro pranje

Perilo lahko operete v krajšem času, pri čemer porabite manj energije in vode, tako da izberete to dodatno funkcijo.

Priporočamo, da to možnost uporabite samo, če za izbrani program perete manj kot polovico največje suhe količine.

Če želite izbrati to funkcijo, pritisnite gumb Hitro pranje ☹ ob prikazu simbola.

**OPOMBA:** Če v svoj

stroj postavite manj kot polovico maksimalnega perila, bo ta samodejno nastavil funkcijo polovičnega nalaganja, ne glede na program, ki ste ga izbrali. To pomeni, da bo izbrani program potreboval manj časa za dokončanje in bo porabil manj vode in energije. Ko naprava zazna polovico obremenitve, ☺ se simbol samodejno prikaže.

(\*) Odvisno od modela

## 10. Brez centrifugiranja(\*)



Gumb 3 pomožne funkcije ali 4 Brez centrifugiranja

Če ne želite izvajati stiskanja perila, lahko uporabite to pomožno funkcijo. Program lahko aktivirate s pritiskom na gumb za prekinitve stiskanja na zaslonu, ☺ ko se prižge LED lučka simbola.

## 11. Hladno pranje(\*)



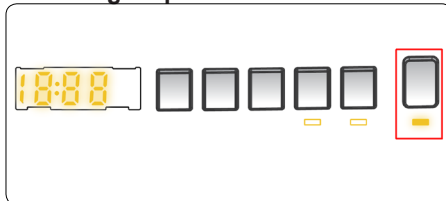
Gumb 3 pomožne funkcije ali 4 Hladno pranje

To pomožno funkcijo lahko uporabite, kadar

želite perilo oprati s hladno vodo(vodo iz pipe). Program lahko aktivirate s pritiskom na gumb za hladno pranje na zaslonu, ❄ ko se prižge LED lučka simbola.

(\*) Specifikacije stroja se lahko razlikujejo glede na kupljen izdelek.

## Gumb zagon/ premor

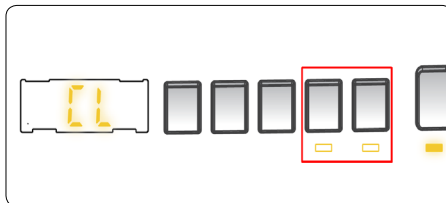


S pritiskom na gumb zagon/ premor lahko zaženete program, ki ste ga izbrali ali začasno zaustavite tekoči program. Če preklopite stroj v način pripravljenosti, bo na elektronskem zaslonu utripala luč za zagon/premor.

## 5.8 Otroška ključavnica

Funkcija Otroška ključavnica omogoča zaklepanje gumbov, tako da izbranega cikla pranja ne morete nenamerno spremeniti.

Če želite aktivirati otroško ključavnico, istočasno držite gumb 2 in 3 vsaj 3 sekunde. Ko je aktivirana otroška ključavnica, bo na elektronskem prikazovalniku utripal "CL" 2 sekundi.



Če je pritisnjen katerikoli gumb ali je izbrani program spremenjen s pomočjo gumba za programiranje, ko je aktivirana otroška ključavnica, bo simbol "CL" na elektronskem zaslonu utripal 2 sekundi.

Če je funkcija Otroška ključavnica vključena in se program izvaja, ko je programski gumb obrnjen v položaj CANCEL in je izbran drug program, se prej izbrani program nadaljuje od mesta, kjer je ostal.

Za izključitev otroške ključavnice istočasno držite tipki 2 in 3 vsaj 3 sekunde, dokler simbol »CL« na elektronskem zaslonu ne izgine.

## 5.9 Preklic programa

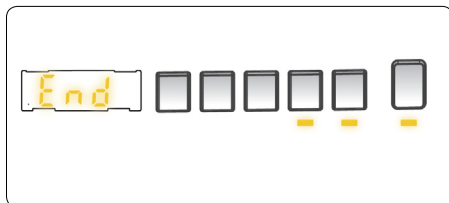
Če želite kadar koli preklicati zagnani program:

1. Obrnite gumb za izbiro programa v

položaj "STOP".

2. Delovanje stroja se bo ustavilo in program bo preklican.
3. Obrnite gumb za izbiro programa na kateri koli drug program, da izčrpate stroj.
4. Stroj bo izvedel potrebno izčrpanje vode in preklical program.
5. Zdaj lahko izberete in zaženete nov program.

### 5.10 Konec programa



Ko se izbrani program zaključi, se stroj samodejno ustavi.

- Na elektronskem zaslonu zasveti simbol.“”
- Lahko odprete vrata stroja in odstranite perilo.
- Pustite vrata stroja odprta, da se notranji del posuši, ko odstranite perilo.
- Obrnite gumb za izbiro programa v položaj "STOP".
- Izklopite stroj.
- Izklopite pipo za vodo.

## 6. PREGLEDNICA PROGRAMOV

Program	Temperatura pranja (°C)	Največja količina suhega perila (kg)	Predelek za pralno sredstvo	Trajanje programa (min)	Vrsta perila/opis
BOMBAŽ	*60-90-80-70-40	8	2	215	Zelo umazano, bombažna in lanena oblačila. (Spodnje perilo, posteljina, namizni prt, brisača (maksimum 4,0 kg), posteljina, itd.)
ECO 40-60	*40 - 60	8	2	215	Umazano, bombažna in lanena oblačila. (Spodnje perilo, posteljina, namizni prt, brisača (maksimum 4,0 kg), posteljina, itd.)
Bombaž predpranje	*60 - 50 - 40 - 30 - "- -C"	8	1&2	171	Umazano, bombažna in lanena oblačila. (Spodnje perilo, posteljina, namizni prt, brisača (maksimum 4,0 kg), posteljina, itd.)
BOMBAŽ 20	*20- "- -C"	4	2	96	Manj umazanega, bombažnega in lanenega tekstila. (Spodnje perilo, posteljina, namizni prt, brisača (max. 2,0 kg) , posteljina, itd.)
Barve	*40 - 30 - "- -C"	3,5	2	210	Manj umazanega, bombažnega in lanenega tekstila. (Spodnje perilo, posteljina, namizni prt, brisača (max. 2,0 kg) , posteljina, itd.)
VOLNA	*30 - "- -C"	2,5	2	44	Volnena oblačila z etiketo za strojno pranje.
IZPIRANJE	** - -C"	8	-	30	Zagotavlja dodatno izpiranje vseh vrst perila po ciklu pranja.
BREZ ALERGIJ	*60 - 50 - 40 - 30 - "- -C"	4	2	212	Otroško perilo
Centrifugiranje/Črpanje	** - -C"	8	-	17	Ta program lahko uporabite za katero koli vrsto perila, če želite po ciklu pranja dodatni korak izpiranja / Program za črpanje lahko uporabite za odtekanje vode, nakopičene v stroju (dodajanje ali odstranjevanje perila). Če želite omogočiti program črpanja, obrnite gumb programa na program za centrifugiranje/ črpanje Ko izberete "centrifugiranje/ črpanje" s pomožno funkcijsko tipko, se bo program začel izvajati.
OBČUTLJIVO / ROČNO PRANJE	*30 - "- -C"	2,5	2	90	Perilo, za katero je priporočeno ročno pranje, ali občutljivo perilo.
Sintetična / Outdoor oblačila	*40 - 30 - "- -C"	3,5	2	110	Zelo umazano ali mešana sintetična oblačila. (Najlonske nogavice, majice, bluze, hlače iz sintetičnih izdelkov itd.)
Mešana	*40 - 30 - "- -C"	3,5	2	105	Umazani bombaž, sintetika, barvni in laneni tekstil se lahko operejo skupaj.
Jeans / Temna Oblačila	*30 - "- -C"	4	2	96	Črni in temni predmeti iz bombaža, mešanih vlaken ali jeans. Operite navznoter. Jeans pogosto vsebuje odvečno barvilo in lahko teče v prvih nekaj pranjih. Lahke in temno obarvane predmete perite ločeno
(**) Hitro 60' 60°C.	*60 - 50 - 40 - 30 - "- -C"	4	2	60	Umazani, bombažni, obarvani in laneni tekstil perejo pri 60 ° C v 60 minutah.
(***) Hitro 15 min.	*30 - "- -C"	2	2	15	V kratkem času 15 minut lahko rahlo umazan, bombažen, barven in laneni tekstil, ki ga lahko operete.



OPOMBA: TRAJANJE PROGRAMA SE LAHKO SPREMENI GLEDE NA KOLIČINO PERILA, VODO, TEMPERATURO OKOLICE IN IZBRANE DODATNE FUNKCIJE.

(\*) Temperatura pralne vode programa je tovarniško privzeta.

(\*\*) Če ima vaš stroj pomožno funkcijo hitrega pranja, lahko na zaslonski plošči omogočite možnost hitrega pranja in v 30 minutah stroj naložite z 2 kg perila, da ga operete.

(\*\*\*) Zaradi kratkega časa pranja tega programa priporočamo uporabo manj detergenta. Program lahko traja dlje kot, 15 minut, če vaš stroj zazna neenakomerno obremenitev. Vrata stroja lahko odprete 2 minuti po končanem postopku pranja. (2-minutno obdobje ni vključeno v trajanje programa).

V skladu z uredbama 1015/2010 in 1061/2010 sta program 1 in program 2 "standardni program za bombaž 60 ° C" in "standardni program za bombaž 40 ° C".

Program Eco 40-60 lahko v istem ciklu očisti normalno umazano bombažno perilo, za katero je razvidno, da se lahko pere pri 40 ° C ali 60 ° C, in da se ta program uporablja za oceno skladnosti z zakonodajo EU o okoljskem oblikovanju.

- Najučinkovitejši programi glede porabe energije so na splošno tisti, ki delujejo pri nižjih temperaturah in daljšem trajanju.
- Nalaganje gospodinjskega pralnega stroja do zmogljivosti, ki jih za ustrezne programe navede proizvajalec, bo prispevalo k prihranku energije in vode.
- Trajanje programa, poraba energije in poraba vode se lahko razlikujejo glede na težo in vrsto pranja, izbrane dodatne funkcije, vodo iz pipe in temperaturo okolice.
- Za programe pranja pri nizki temperaturi priporočamo uporabo tekočega detergenta. Količina detergenta, ki ga je treba uporabiti, se lahko razlikuje glede na količino perila in stopnjo umazanije perila. Prosimo, upoštevajte priporočila proizvajalcev detergentov glede količine uporabljenega detergenta.
- Na hrup in preostalo vsebnost vlage vpliva hitrost centrifugiranja. Večja hitrost centrifugiranja v fazi centrifugiranja, višji hrup in nižja vsebnost vlage.
- Do baze podatkov izdelka, kjer so shranjene informacije o modelu, lahko dostopate z branjem QR kode na energijski nalepki.

Ime programa	Nazivna zmogljivost kg	Poraba energije kWh / cikel			Trajanje programa Ure: Minute			Poraba vode Litrov / cikel			Max. Temperatura °C			Preostala vsebnost vlage % 1400 vrtljajev		
		Nazivna zmogljivost	1/2 obremenitve	1/4 obremenitve	Nazivna zmogljivost	1/2 obremenitve	1/4 obremenitve	Nazivna zmogljivost	1/2 obremenitve	1/4 obremenitve	Nazivna zmogljivost	1/2 obremenitve	1/4 obremenitve	Nazivna zmogljivost	1/2 obremenitve	1/4 obremenitve
Bombaž 90	8	2,38			03:13			82			81			53%		
Bombaž 60	8	1,13			03:35			52			57			53%		
Eco 40-60	8	1,05	0,49	0,27	03:35	02:48	02:30	52	44	37	46	31	25	53%	53%	53%
Sintetična / Outdoor oblačila	3,5	0,56			01:50			50			42			53%		
Hlito 60	4	1,02			01:00			34			58			53%		
Bombaž 20	4	0,2			01:36			43			20			53%		



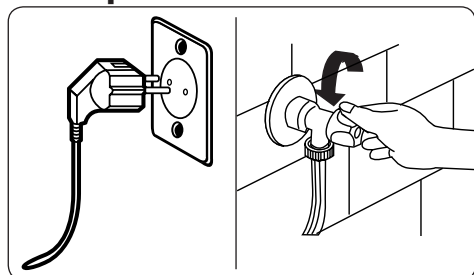
## 6.1 Pomembne informacije

- Uporabljajte detergente, mehčala in druge dodatke, primerne samo za avtomatske pralne stroje. Nastala je prekomerna pena in zaradi prevelike uporabe detergenta se je aktiviral samodejni sistem absorpcije pene.
- Priporočamo občasno čiščenje pralnega stroja vsaka 2 meseca. Za občasno čiščenje uporabite program Drum Clean. Če vaš stroj nima programa Drum Clean, uporabite program Cottons-90. Po potrebi uporabite sredstva za odstranjevanje vodnega kamna, izdelana samo za pralne stroje.
- Med delovanjem stroja ne poskušajte vrat odpreti na silo. Vrata stroja lahko odprete 2 minuti po končanem postopku pranja. \*
- Med delovanjem stroja ne poskušajte vrat odpreti na silo. Vrata se odprejo takoj po končanem ciklu pranja. \*
- Postopke namestitve in popravila mora vedno izvajati pooblaščen serviser, da se izognete morebitnim tveganjem. Proizvajalec ne odgovarja za škodo, ki bi lahko nastala zaradi postopkov, ki jih izvajajo nepooblaščen osebe.

(\*) Specifikacije stroja se lahko razlikujejo glede na kupljen izdelek.

# 7. ČIŠČENJE IN VZDRŽEVANJE

## 7.1 Opozorilo



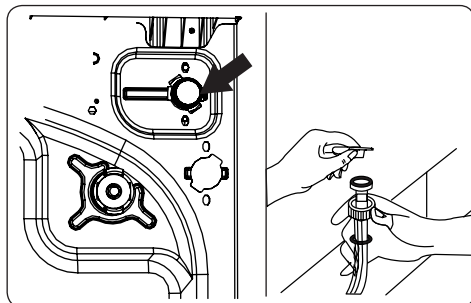
Pred vzdrževanjem in čiščenjem stroja izključite napajanje in izvlecite vtič iz vtičnice.

Pred začetkom vzdrževanja in čiščenja stroja, zaprite dovod vode.

**⚠ POZOR:** Za čiščenje pralnega stroja ne uporabljajte topil, abrazivnih čistil, čistilcev stekla ali večnamenskih čistilnih sredstev. S kemikalijami, ki jih vsebujejo, lahko poškodujejo plastične površine in druge sestavne dele.

## 7.2 Filtri za dovod vode

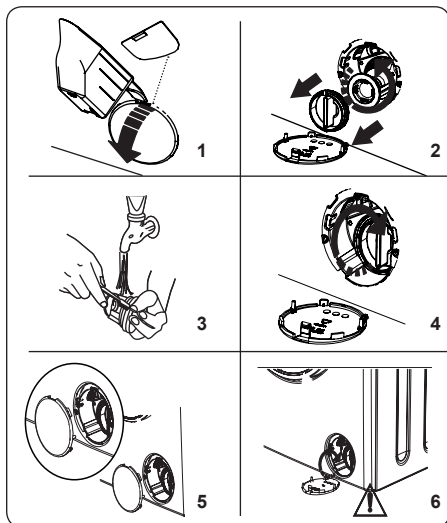
Filtri za dovod vode preprečujejo, da bi v stroj vstopili umazanija in tuji materiali. Priporočamo, da te filtre očistite, če vaš stroj ne more prejeti zadostne količine vode, čeprav je vaša oskrba z vodo vklopljena in je pipa odprta. Priporočamo, da filtre za dovod vode očistite vsaka 2 meseca.



- Odvijte cevi za dovod vode iz pralnega stroja.
- Za odstranitev filtra za dovod vode iz ventila za dovod vode, uporabite klešče z dolgim nosom, da nežno povlečete na plastično palico v filtru.
- Na koncu cevi za dovod vode je nameščen drugi filter za dovod vode. Za odstranitev drugega filtra za dovod vode iz ventila za dovod vode, uporabite klešče z dolgim nosom, da nežno povlečete na plastično palico v filtru.
- Filter temeljito očistite z mehko krtačo in sperite z milnico ter temeljito sperite. Ponovno vstavite filter tako, da ga rahlo potisnete na svoje mesto.

**⚠ POZOR:** Filtri na ventilu za dovod vode se lahko zamašijo zaradi kakovosti vode ali pomanjkanja potrebnega vzdrževanja in se lahko pokvarijo. To lahko povzroči puščanje vode. Vse takšne okvare ne spadajo v okvir garancije.

### 7.3 Filter črpalke



Sistem filtrov črpalke v vašem pralnem stroju podaljša življenjsko dobo črpalke, saj preprečuje, da bi vlakni iz tkanine vstopili v vaš stroj. Priporočamo, da filter črpalke čistite vsaka 2 meseca.

Filter črpalke je nameščen za pokrovom v sprednjem in spodnjem desnem kotu.

Za čiščenje črpalnega filtra:

1. Če želite odpreti pokrov črpalke, lahko uporabite lopatko (\*) za pralni prašek, ki je dobavljena s strojem, ali s pripomočkom za tekoče pralno sredstvo.
  2. Konec lopatke ali pripomoček za tekoče pralno sredstvo vstavite v odprtino pokrova in rahlo pritisnite nazaj. Pokrov se odpre.
- Preden odprete pokrov filtra, postavite posodo pod pokrov filtra, da zberete v njem preostalo vodo.
  - Pokrov filtra razrahljate z obračanjem v nasprotni smeri urinega kazalca in odstranite s potegom. Počakajte, da voda odteče.

**OPOMBA:** Glede na količino vode v stroju, boste morda morali večkrat izprazniti posodo za zbiranje vode.

3. S filtra odstranite vse tuje materiale z mehko krtačo.

4. Po čiščenju filter ponovno namestite tako, da ga vstavite in zavrtite v smeri urinega kazalca.
5. Med zapiranjem pokrova črpalke preverite, da se vsi deli znotraj pokrova ujemajo z luknjami na sprednji plošči.
6. Zaprite pokrov filtra.

**⚠ OPOZORILO:** Voda v črpalci je lahko vroča, počakajte, da se ohladi, preden opravite čiščenje ali vzdrževanje.

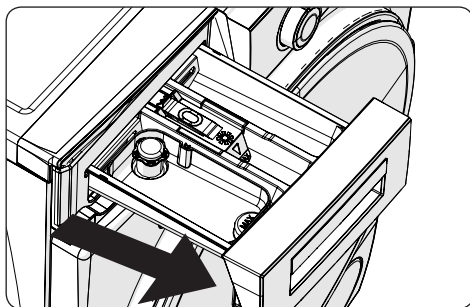
(\*) Specifikacije stroja se lahko razlikujejo glede na kupljen izdelek.

### 7.4 Predal za pralno sredstvo

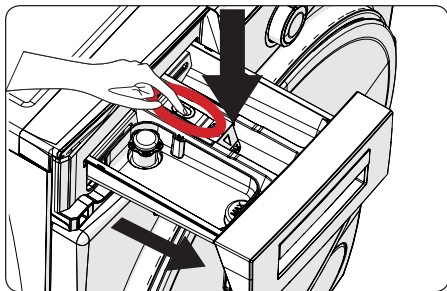
Uporaba detergenta lahko sčasoma povzroči nabiranje ostankov v predalu za detergent. Priporočamo, da predal odstranite vsaka 2 meseca, da očistite nakopičene ostanke.

Če želite odstraniti predal za detergent:

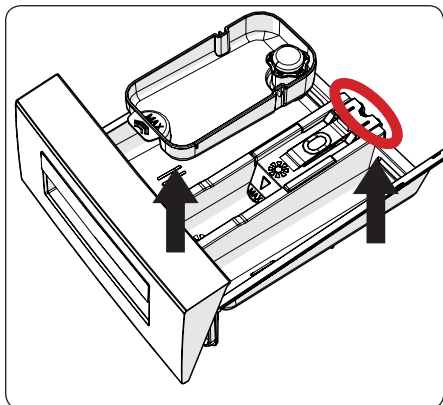
- Predal povlecite naprej, dokler se popolnoma ne iztegne.



- Pritisnite spodaj prikazano območje znotraj predala detergenta, ki ste ga povlekli do konca nazaj, in nadaljujte z vlečenjem in odstranite predal za detergent s svojega mesta



- Odstranite predal za detergent in razstavite zamašek za izpiranje. Temeljito očistite, da v celoti odstranite ostanke mehčalca. Po čiščenju ponovno namestite zamašek za izpiranje in preverite, da je pravilno nameščen.



- Sperite s krtačo in veliko količino vode.
- Zberite ostanke znotraj reže predala za pralno sredstvo, da ne padejo v stroj.
- Posušite predal za pralno sredstvo z brisačo ali suho krpo ter ga namestite nazaj.

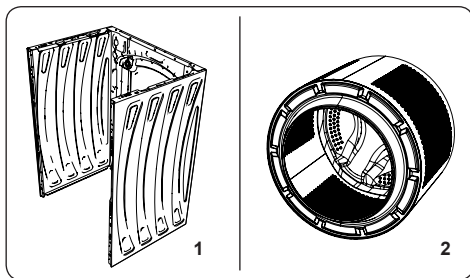
**!** Predal pralnega sredstva ne pomivajte v pomivalnem stroju.

#### Tekoči čistilni pripomoček(\*)

Za čiščenje in vzdrževanje tekočega čistilnega pripomočka odstranite napravo z mesta, kot je prikazano na spodnji sliki, in temeljito očistite preostale ostanke detergenta. Zamenjajte pripomoček. Prepričajte se, da v sifonu ne ostane nobenih ostankov materiala.

(\*) Specifikacije stroja se lahko razlikujejo glede na kupljen izdelek.

## 8. Telo / Boben



### 1. Telo

Za čiščenje zunanjega ohišja uporabite blago, neabrazivno čistilno sredstvo ali milo in vodo. Suho obrišite z mehko krpo.

### 2. Boben

V stroju ne puščajte kovinskih predmetov, kot so igle, sponke za papir, kovanci itd. Ti predmeti povzročijo nastajanje madežev rje znotraj bobna. Za čiščenje madežev rje uporabite čistilna sredstva, ki ne vsebujejo klorida, in upoštevajte opozorila proizvajalca čistilnih sredstev. Za čiščenje madežev rje ne uporabljajte žične volne ali podobnih trdih predmetov.

## 9. ODPRAVLJANJE TEŽAV

Vsa popravila, ki jih zahteva stroj, naj izvede le pooblaščen servis. Če vaš stroj zahteva popravilo ali če ne morete rešiti težave s spodnjimi informacijami, potem bi morali:

- Stroj izključite iz električnega omrežja.
- Izklopite dovod vode.

NAPAKA	MOŽEN VZROK	ODPRAVLJANJE TEŽAV
Vaš stroj se ne zažene.	Stroj ni priključen.	Priključite stroj.
	Varovalke so pokvarjene.	Zamenjajte varovalke.
	Ni omrežnega napajanja	Preverite omrežno napajanje.
	Niste pritisnili gumba za zagon/ premor.	Pritisnite gumb za zagon/premor.
	Pozicija 'stop'	Obrnite gumb za izbiro programa na želeni položaj.
Vaš stroj ne zajema vode.	Vrata stroja niso popolnoma zaprta.	Zaprte vrata stroja.
	Vodna pipa je izklopljena.	Vklopite pipo
	Dovodna cev je morda zavita.	Preverite cev za dovod vode in odvijte.
	Dovodna cev je morda zamašena.	Očistite filtre dovodne cevi. (*)
	Filter črpalke je zamašen.	Očistite filter ventila za dovod vode. (*)
Vaš stroj ne izpušča vode.	Vrata stroja niso popolnoma zaprta.	Zaprte vrata stroja.
	Odtočna cev je morda zamašena ali zavita.	Preverite odtočno cev, nato pa jo očistite ali odvijte.
	Filter črpalke je zamašen.	Očistite filter črpalke. (*)
Stroj vibrira.	Perilo je preveč tesno skupaj v bobnu.	Perilo enakomerno razporedite v stroju.
	Stopala niso bila nastavljena.	Prilagodite stopala. (**)
	Tranzitni vijaki, nameščeni za prevoz, niso bili odstranjeni.	Odstranite tranzitne vijake iz stroja. (**)
	Majhna obremenitev v bobnu.	To ne prepreči delovanje stroja.
	Vaš stroj je preobremenjen s perilom ali je perilo neenakomerno razporejeno.	Ne preobremenite bobna. Perilo enakomerno razporedite po bobnu.
Premočno penjenje v predalu za pralno sredstvo.	Vaš stroj počiva na trdi podlagi.	Vašega pralnega stroja ne postavljajte na trdo podlago.
	Dodali ste prekomerno količino pralnega sredstva.	Pritisnite gumb za zagon/premor. Če želite ustaviti peno, eno žlico meščalca razredčite v 1/2 litra vode in nalijte v predal za detergente. Po 5-10 minutah pritisnite gumb za zagon/premor.
Nezadovoljiv rezultat pranja.	Uporabili ste napačno pralno sredstvo.	Uporabite pralna sredstva, ki so izdelana za samodejne pralne stroje.
	Vaše pranje je preveč umazano za izbrani program.	S pomočjo informacij v programskih tabelah izberite najprimernejši program.
	Dodali ste nezadostno količino pralnega sredstva.	Uporabite količino detergenta, kot je navedeno na embalaži.
	V vašem stroju je preveč perila.	Prepričajte se, da največja kapaciteta izbranega programa ni presežena.

NAPAKA	MOŽEN VZROK	ODPRAVLJANJE TEŽAV
Nezadovoljiv rezultat pranja.	Trda voda.	Povečajte količino detergenta v skladu z navodili proizvajalca.
	Perilo je preveč tesno skupaj v bobnu.	Preverite, ali je vaše perilo razporejeno.
Takoj, ko je stroj napolnjen z vodo, se voda izprazni.	Konec cevi za odtok vode je prenizek za stroj.	Preverite, ali je odtočna cev na primerni višini (**).
Med pranjem se v bobnu ne pojavi voda.	Ni napake. Voda je v nevidnem delu bobna.	.....
Perilo ima na sebi ostanke pralnega sredstva.	Netopni delci nekaterih pralnih sredstev se lahko primejo na perilo kot beli madeži.	Naredite dodatno izpiranje ali očistite perilo s čopičem, potem ko se posuši.
Na perilu se pojavijo sive lise.	Na vašem perilu je neobdelano olje, smetana ali mazilo.	Pri naslednjem pranju uporabite količino detergenta, kot je navedeno na embalaži.
Ciklus centrifugiranja ne poteka ali pa poteka kasneje, kot je bilo pričakovano.	Ni napake. Sistem za nadzor neenakomerne obremenitve je aktiviran.	Sistem za nadzor neenakomerne obremenitve bo poskušal enakomerno razporediti perilo. Centrifugiranje se začne, ko je perilo enakomerno razporejeno. Za naslednje pranje enakomerno napolnite boben.

(\* Glejte poglavje, ki se nanaša na vzdrževanje in čiščenje stroja.

(\*\*) Glej poglavje o namestitvi vašega stroja.

## 10. SAMODEJNA OPOZORILA O NAPAKAH IN KAJ NAREDITI

Vaš sušilni stroj je opremljen z vgrajenim sistemom za odkrivanje napak, ki ga označuje kombinacija utripajočih luči. Spodaj so prikazane najpogostejše kode napak.

KODA TEŽAVE	MOŽNA NAPAKA	KAJ NAREDITI
E01	Vrata vašega stroja niso pravilno zaprta.	Zaprte vrata, dokler ne slišite klika. Če vas stroj še naprej opozarja na napako, izklopite stroj, ga izklopite iz napajanja in se obrnite na najbližji pooblaščen servis.
E02	Tlak ali raven vode v notranjosti stroja sta nizka.	Preverite, ali je pipa v celoti vklopljena. Glavno vodovodno omrežje je morda prekinjeno. Če se težava ponavlja, se stroj samodejno ugasne čez čas. Izklopite stroj iz napajanja, zaprite pipo in se obrnite na najbližji pooblaščen servis.
E03	Črpalka je poškodovana, filter črpalke je zamašen ali električna povezava črpalke je v okvari.	Očistite filter črpalke. Če se težava ponavlja, se obrnite na najbližji pooblaščen servis. (*)
E04	V stroju je prekomerna količina vode.	Vaš stroj bo izpustil vodo sam. Ko voda odteče, izklopite stroj in ga izklopite iz vtičnice. Zaprite pipo in se obrnite na najbližji pooblaščen servis.

(\*) Glejte poglavje, ki se nanaša na vzdrževanje in čiščenje stroja.












## Děkujeme, že jste si vybrali tento výrobek.

Tento návod k obsluze obsahuje důležité bezpečnostní informace a pokyny pro provoz a údržbu Vašeho spotřebiče.

Před prvním použitím spotřebiče si pečlivě přečtěte tento návod k obsluze a uschovejte jej na bezpečném místě pro případné použití v budoucnu.

Ikona	Typ	Význam
	<b>VAROVÁNÍ</b>	Nebezpečí vážného zranění nebo smrti
	<b>NEBEZPEČÍ ÚRAZU ELEKTRICKÝM PROUDEM</b>	Nebezpečné napětí
	<b>POŽÁR</b>	Varování; Nebezpečí požáru / hořlavý materiál
	<b>POZOR</b>	Nebezpečí úrazu nebo poškození majetku
	<b>DŮLEŽITÁ POZNÁMKA</b>	Správný provoz systému

# OBSAH

<b>1.BEZPEČNOSTNÍ POKYNY</b> .....	<b>1</b>
1.1 Všeobecná bezpečnostní varování .....	2
1.2 Během provozu .....	6
1.3 Balení a životní prostředí .....	7
1.4 Informace o úsporách .....	8
<b>2.TECHNICKÉ SPECIFIKACE</b> .....	<b>9</b>
2.1 Vzhled .....	9
2.2 Technické informace .....	9
<b>3.INSTALACE</b> .....	<b>10</b>
3.1 Odstranění přepravních šroubů .....	10
3.2 Nastavení vyrovnávacích nožiček / nastavení nastavitelných zářezek .....	10
3.3 Elektrické zapojení .....	10
3.4 Hadice pro přívod vody .....	11
3.5 Zapojení odtoku vody .....	12
<b>4.PŘEHLED OVLÁDACÍHO PANELU</b> .....	<b>12</b>
4.1 Příhrádka na prací prášek .....	12
4.2 Oddíly .....	13
4.3 Volič programů .....	13
4.4 Elektronický displej .....	13
<b>5.POUŽITÍ PRAČKY</b> .....	<b>14</b>
5.1 Příprava prádla .....	14
5.2 Vložení prádla do pračky .....	14
5.3 Přidání pracího prostředku do pračky .....	15
5.4 Obsluha pračky .....	15
5.5 Výběr programu .....	15
5.6 Systém detekce poloviční náplně .....	15
5.7 Přídavné funkce .....	16
5.8 Dětská pojistka .....	18
5.9 Zrušení programu .....	19
5.10 Konec programu .....	19
<b>6.TABULKA PROGRAMŮ</b> .....	<b>20</b>
6.1 Důležité informace .....	23
<b>7.ČIŠTĚNÍ A ÚDRŽBA</b> .....	<b>24</b>
7.1 Varování .....	24
7.2 Filtry na přívodu vody .....	24
7.3 Filtr čerpadla .....	25
7.4 Příhrádka na prací prášek .....	25
<b>8.Tělo / Buben</b> .....	<b>26</b>
<b>9.ŘEŠENÍ PROBLÉMŮ</b> .....	<b>27</b>
<b>10.AUTOMATICKÁ UPOZORNĚNÍ NA ZÁVADU A CO JE TŘEBA UDĚLAT</b> .....	<b>28</b>

# 1. BEZPEČNOSTNÍ POKYNY

Provozní napětí/frekvence	(220 – 240) V~/ 50 Hz
Celkový proud (A)	10
Tlak vody (Mpa)	Maximální 1 Mpa / Minimální 0,1 Mpa
Celkový výkon (W)	2100
Maximální kapacita náplně (suché prádlo) (kg)	8

- Neumísťujte pračku na koberec nebo podložku, která by bránila větrání základny.
- Tento spotřebič nesmí používat osoby (včetně dětí) s omezenými tělesnými, smyslovými nebo duševními schopnostmi nebo osoby s omezenými zkušenostmi a znalostmi, pokud se nacházejí pod dohledem odpovědné osoby nebo pokud byly seznámeny se správným a bezpečným používáním spotřebiče a chápou případná rizika s tím spojená..
- Děti mladší 3 let se smí nacházet v blízkosti spotřebiče pouze tehdy, pokud se nacházejí pod neustálým dohledem.
- V případě poškození napájecího kabelu kontaktujte nejbližší autorizovaný servis a požádejte o jeho výměnu.
- Při připojování přívodu vody k vaší pračce používejte pouze novou přívodní hadici, která je dodávána s pračkou. Nikdy nepoužívejte staré, použité nebo poškozené přívodní hadice.
- Děti si se spotřebičem nesmí hrát. Čištění a

údržba nesmí být prováděny dětmi bez dohledu dospělé osoby.

**POZNÁMKA:** V případě, že chcete mít tento návod k použití v elektronické podobě, kontaktujte nás na následující adrese: “washmachine@standardtest.info“. Ve svém e-mailu uveďte název modelu a sériové číslo (20 číslic), které najdete na dvířkách spotřebiče.

**Pozorně si přečtete tento návod k použití.**

**Pračka je určena pouze pro domácí použití. Komerční použití má za následek ztrátu záruky.**



**Tento návod k použití byl vytvořen pro více modelů, proto váš spotřebič nemusí disponovat některou z popsaných funkcí. Z tohoto důvodu je důležité při čtení návodu k použití věnovat zvláštní pozornost veškerým obrázkům.**

## **1.1 Všeobecná bezpečnostní varování**

- Okolní teplota nezbytná pro provoz vaší pračky je 15 – 25 °C.
- Pokud teplota klesne pod 0 °C, hadice mohou prasknout nebo elektronická karta nemusí fungovat správně.
- Ujistěte se, že prádlo vložené do pračky neobsahuje cizí předměty, jako jsou hřebíky, jehly, zapalovače a mince.
- **Doporučuje se, abyste pro své první praní zvolili program 90° Bavlina bez prádla a polovinu přihrádky II na prací prostředek**

## **naplnili vhodným pracím prostředkem.**

- Na pracím prostředku a změkčovačích dlouhodobě vystavených vzduchu se mohou hromadit nečistoty.  
Změkčovač nebo prací prostředek vložte do přihrádky pouze na začátku každého praní.
  - Pokud pračku nebudete delší dobu používat, odpojte ji od elektrické sítě a uzavřete přívod vody. Doporučujeme také nechat dvířka otevřená, abyste zabránili hromadění vlhkosti uvnitř pračky.
  - V důsledku kontroly kvality během výroby může v pračce zůstat trochu vody. To neovlivní provoz pračky.
  - Obal spotřebiče může být nebezpečný pro děti. Nedovolte dětem hrát si s obaly nebo malými částmi z pračky.
  - Obaly uložte na místo, kde na ně děti nemohou dosáhnout, nebo je zlikvidujte vhodným způsobem.
  - Programy s předpírkou používejte pouze na velmi znečištěné prádlo.
- ⚠ Nikdy neotevírejte přihrádku na prací prostředek, když je spotřebič v provozu.**
- V případě poruchy odpojte spotřebič od elektrické sítě a vypněte přívod vody. Nepokoušejte se provádět žádné opravy. Vždy kontaktujte autorizovaného servisního technika.
  - Nepřekračujte maximální náplň pracího programu, který jste zvolili.
- ⚠ Nikdy neotevírejte dvířka, když je pračka v provozu.**
- Praní prádla ušpiněného moukou může poškodit

vaší pračku.

- Řiďte se pokyny výrobce ohledně používání aviváže nebo podobných výrobků, které chcete v pračce použít.
- Ujistěte se, že dvířka vaší pračky nejsou blokována a lze je zcela otevřít.

Nainstalujte spotřebič na místo, které lze plně větrat a kde pokud možno neustále proudí vzduch.

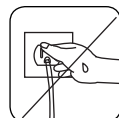
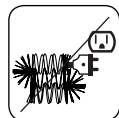
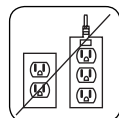
**⚠ Přečtěte si tato varování. Řiďte se pokyny uvedenými v tomto návodu k obsluze, chráníte tak sebe i ostatní před riziky a smrtelnými zraněními.**

## **NEBEZPEČÍ POPÁLENÍ**

**⚠** Během provozu pračky se nedotýkejte vypouštěcí hadice ani vypuštěné vody. Vysoké teploty představují riziko popálení.

## **⚠⚡ NEBEZPEČÍ SMRTI ZPŮSOBENÉ ELEKTRICKÝM PROUDEM**

- Nepřipojujte pračku k elektrické síti pomocí prodlužovacího kabelu.
- Nezasunujte poškozenou zástrčku do zásuvky.
- Nikdy nevyjímejte zástrčku ze zásuvky tahem za kabel. Vždy tahejte za zástrčku.
- Nikdy se nedotýkejte napájecího kabelu / zástrčky mokřýma rukama, protože by to mohlo způsobit zkrat nebo úraz elektrickým proudem.
- Nedotýkejte se pračky, pokud máte mokré ruce nebo nohy.
- Poškozený napájecí kabel / zástrčka může



způsobit požár nebo úraz elektrickým proudem. Výměnu poškozeného napájecího kabelu smí provést pouze kvalifikovaný personál.

### **Nebezpečí vytopení**

- Před umístěním vypouštěcí hadice do umyvadla zkontrolujte rychlost proudění vody.
- Proveďte nezbytná opatření, abyste zabránili sklouznutí hadice.
- Proud vody může hadici uvolnit, pokud není správně zajištěna. Ujistěte se, že odtokový otvor v umyvadle neblokuje špunt.

### **Nebezpečí požáru**

- Ve spotřebiči neskladujte hořlavé kapaliny.
- Obsah síry v odstraňovačích barev může způsobit korozi. V pračce nikdy nepoužívejte prostředky na odstraňování barvy.
- Nikdy nepoužívejte výrobky, které obsahují rozpouštědla.
- Ujistěte se, že prádlo vložené do pračky neobsahuje cizí předměty, jako jsou hřebíky, jehly, zapalovače a mince.

### **Nebezpečí požáru a výbuchu**

#### **Nebezpečí pádu a zranění**

- Nešplhejte na pračku.
- Ujistěte se, že hadice a kabely nezpůsobují nebezpečí zakopnutí.
- Neotáčejte pračku dnem vzhůru ani na bok.
- Nezvedejte pračku za dvířka ani přihrádku na prací prostředky.

**⚠ Spotřebič musí být přepravován nejméně 2 osobami.**



**⚠ Bezpečnost dětí**

- Nenechávejte děti bez dozoru v blízkosti spotřebiče. Děti by mohly ve spotřebiči uvíznout, což by vedlo k riziku smrti.
- Nedovolte dětem, aby se dotýkaly skleněných dvířek, když je spotřebič v provozu. Povrch se stává extrémně horkým a může způsobit poškození kůže.
- Uchovávejte obalový materiál mimo dosah dětí.
- V případě konzumace pracích a čisticích prostředků nebo styku s kůží může dojít k otravě a podráždění. Čisticí materiály uchovávejte mimo dosah dětí.




## **1.2 Během provozu**

- Domácí mazlíčky udržujte v dostatečné vzdálenosti od pračky.
- Před instalací zkontrolujte obal pračky a po vybalení i její vnější povrch. Nepoužívejte pračku, pokud se zdá poškozená nebo pokud byl poškozen obal.
- Instalaci pračky smí provést pouze autorizovaný servisní technik. Instalace spotřebiče jinou osobou může mít za následek ztrátu záruky.
- Tento spotřebič mohou používat děti starší 8 let a osoby se sníženými fyzickými, smyslovými nebo duševními schopnostmi nebo s nedostatečnými zkušenostmi a znalostmi pouze tehdy, pokud se nacházejí pod dohledem odpovědné osoby nebo pokud byly seznámeny se správným a



bezpečným používáním spotřebiče a chápou případná rizika s tím spojená. Děti si se spotřebičem nesmí hrát. Čištění a údržba nesmí být prováděny dětmi bez dohledu dospělé osoby.

- Pračku používejte pouze pro praní prádla, které bylo výrobcem označeno jako vhodné pro praní v pračce.
- **Než pračku uvedete do provozu, odstraňte z její zadní části 4 přepravní šrouby a pryžové podložky. Pokud šrouby nebudou odstraněny, mohou způsobit silné vibrace, hluk a nesprávnou funkci pračky a vést ke ztrátě záruky.**
- Záruka se nevztahuje na škody způsobené vnějšími faktory, například požárem, záplavami a jinými zdroji poškození.
- Tento návod nevyhazujte, uchovejte jej pro případné použití v budoucnu a předejte ho dalšímu vlastníkovi.

 **POZNÁMKA:** Technické údaje se mohou lišit v závislosti na zakoupeném produktu.

Výměnu pásu smí provést pouze autorizovaný servis.

Pouze originální náhradní pás: 42006396 Optibelt 6 EPJ 1236

## 1.3 Balení a životní prostředí

### Odstranění obalů

Obalové materiály chrání pračku před jakýmkoli poškozením, ke kterému může dojít během přepravy. Obalové materiály jsou šetrné k životnímu prostředí, protože jsou recyklovatelné. Použití

recyklovaného materiálu snižuje spotřebu surového materiálu a snižuje produkci odpadu.

## 1.4 Informace o úsporách

Několik důležitých informací pro co nejefektivnější využití vaší pračky:

- Nepřekračujte maximální náplň pracího programu, který jste zvolili. To umožní, aby vaše pračka pracovala v úsporném režimu.
- Nepoužívejte funkci předpírky pro lehce zašpiněné prádlo. To vám pomůže snížit spotřebu elektřiny a vody.

### CE prohlášení o shodě

Prohlašujeme, že naše výrobky splňují platné evropské směrnice, rozhodnutí, nařízení a požadavky uvedené v referenčních normách.

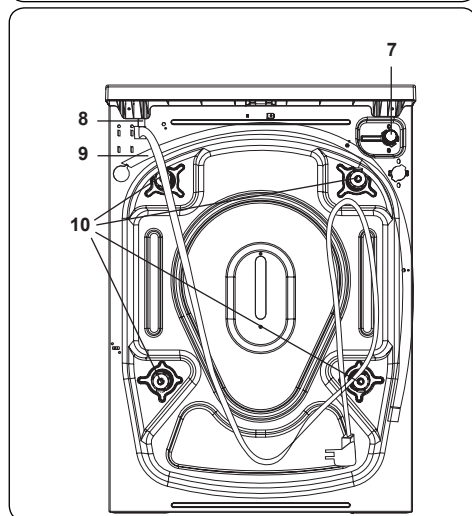
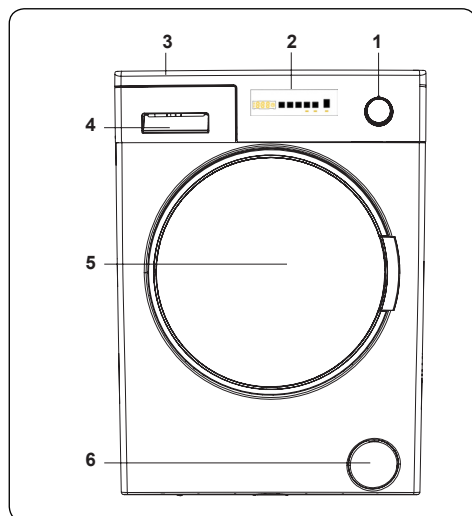
### Likvidace vysloužilého spotřebiče



Symbol na výrobku nebo na jeho obalu znamená, že s tímto výrobkem nesmí být nakládáno jako s domovním odpadem. Místo toho musí být předán v příslušné sběrně vysloužilých elektrických a elektronických spotřebičů. Zajištěním správné likvidace tohoto produktu pomůžete zabránit možným negativním vlivům na životní prostředí a lidské zdraví, ke kterým by jinak mohlo dojít při nesprávném nakládání s tímto produktem.

Podrobnější informace o recyklaci tohoto produktu vám poskytne místní městský úřad, služba pro likvidaci domovního odpadu nebo prodejce, u kterého jste produkt zakoupili.

## 2. TECHNICKÉ SPECIFIKACE



### 2.1 Vzhled

1. Volič programů
2. Elektronický displej
3. Horní kryt
4. Příhrádka na prací prášek
5. Buben
6. Kryt filtru čerpadla
7. Napouštěcí ventil
8. Napájecí kabel
9. Vypouštěcí hadice

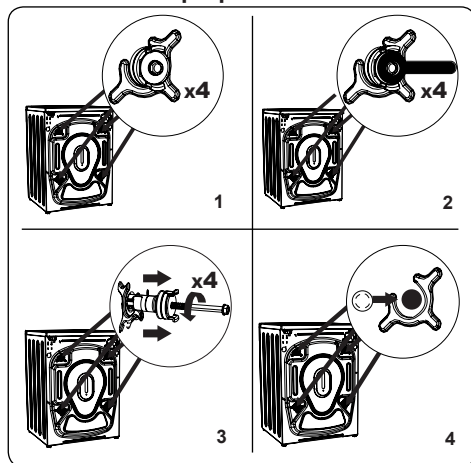
### 10. Převravní šrouby

### 2.2 Technické informace

Provozní napětí / frekvence (V / Hz)	(220 – 240) V~/ 50 Hz
Celkový proud (A)	10
Tlak vody (Mpa)	Maximum: 1 Mpa Minimum: 0,1 Mpa
Celkový výkon (W)	2100
Maximální kapacita suchého prádla (kg)	8
Otáčky (ot / min)	1400
Číslo programu	15
Rozměry (mm)	
Výška	845
Šířka	597
Hloubka	527

## 3. INSTALACE

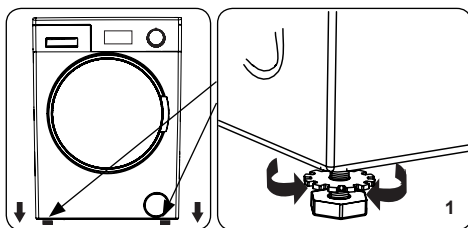
### 3.1 Odstranění přepravních šroubů



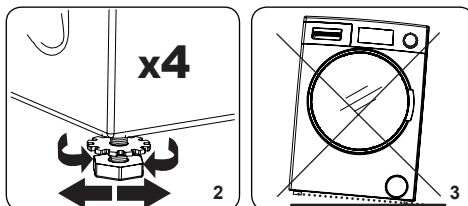
1. Než pračku uvedete do provozu, odstraňte z její zadní části 4 přepravní šrouby a pryžové podložky. Pokud šrouby nebudou odstraněny, mohou způsobit silné vibrace, hluk a nesprávnou funkci pračky a vést ke ztrátě záruky.
2. Povolte přepravní šrouby otočením proti směru hodinových ručiček pomocí vhodného klíče.
3. Vyjměte přepravní šrouby přímým vytažením.
4. Vložte plastové záslepky dodané v sáčku s příslušenstvím do otvorů, které zůstaly po odstranění přepravních šroubů. Přepravní šrouby by měly být uschovány pro budoucí použití.

**POZNÁMKA:** Před prvním použitím pračky odstraňte přepravní šrouby. Na poruchy vzniklé v důsledku provozu pračky s namontovanými přepravními šrouby se záruka nevztahuje.

### 3.2 Nastavení vyrovnávacích nožiček / nastavení nastavitelných zarážek

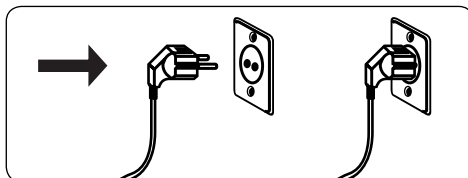


1. Neinstalujte pračku na povrch (např. koberec), který by bránil větrání zespu.
- Abyste zajistili tichý provoz bez vibrací, nainstalujte ji na pevný povrch.
- Pračku můžete vyrovnat pomocí nastavitelných nožiček.
- Povolte plastovou pojistnou matici.



2. Chcete-li zvýšit výšku pračky, otočte nožičky ve směru hodinových ručiček. Chcete-li snížit výšku pračky, otočte nožičky proti směru hodinových ručiček.
- Jakmile je pračka ve vodorovné poloze, utáhněte pojistné matice otočením ve směru hodinových ručiček.
3. Nikdy nepodkládejte pračku lepenkou, dřevem ani jinými podobnými materiály.
- Při zametání a mytí podlahy, na které je pračka umístěna, dávejte pozor, aby nedošlo k narušení vodorovné polohy pračky.

### 3.3 Elektrické zapojení

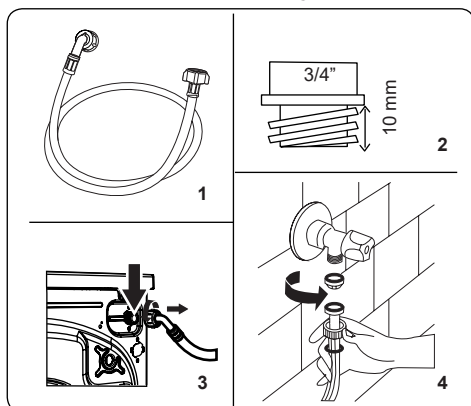


- Pračka vyžaduje síťové napájení 220 – 240 V, 50 Hz.

- Napájecí kabel vaší pračky je vybaven uzemněnou zástrčkou. Tato zástrčka by měla být vždy zasunuta do uzemněné zásuvky 10 A.
- Pokud nemáte vhodnou zásuvku a uzemněnou pojistku, obraťte se na kvalifikovaného elektrikáře.
- Neodpovídáme za škody, které vzniknou v důsledku připojení spotřebiče k neuzemněné zásuvce.

**POZNÁMKA:** Provoz pračky při nízkém napětím vede ke zkrácení životnosti a omezení výkonu.

### 3.4 Hadice pro přívod vody

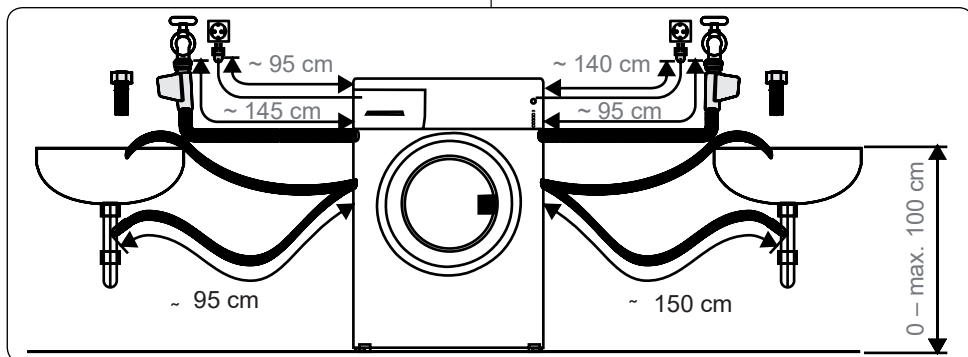


1. V závislosti na specifikacích pračky může být vaše pračka připojena k přívodu studené vody nebo k přívodu studené a teplé vody. Hadice s bílým uzávěrem by měla být připojena k přívodu studené vody a hadice s červeným uzávěrem k přívodu horké

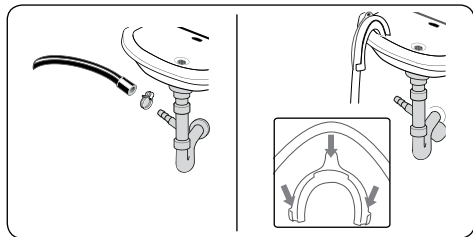
vody (pokud je k dispozici).

- Aby nedocházelo k úniku vody do spojů, je v balení s hadicí dodávána 1 nebo 2 matice (v závislosti na modelu vaší pračky). Tyto matice nasadíte na konec přívodní hadice, která se připojuje k přívodu vody.
2. Připojte nové přívodní hadice k vodovodnímu kohoutku se závitem  $\frac{3}{4}$  ".
  - Připojte bílý konec přívodní hadice k bílému přívodnímu ventilu na zadní straně pračky a červený konec hadice k červenému přívodnímu ventilu (je-li použit).
  - Ručně utáhněte spoje. V případě pochybností se obraťte na kvalifikovaného instalatéra.
  - Průtok vody s tlakem 0,1 – 1 MPa umožní vaší pračce pracovat s optimální účinností (tlak 0,1 MPa znamená, že přes plně otevřený kohoutek proteče více než 8 litrů vody za minutu).
  3. Jakmile provedete všechna připojení, zapněte přívod vody a pečlivě zkontrolujte těsnost.
  4. Zajistěte, aby nové hadice pro přívod vody nebyly přiskřípnuté, zalomené, zkroutené, přehnuté nebo zmačkané.
  - Pokud je vaše pračka připojena k přívodu horké vody, neměla by být teplota přívodu horké vody vyšší než 70 °C.

**POZNÁMKA:** Pračka musí být připojena k přívodu vody pouze pomocí dodané nové přívodní hadice. Staré hadice nesmí být znovu použity.

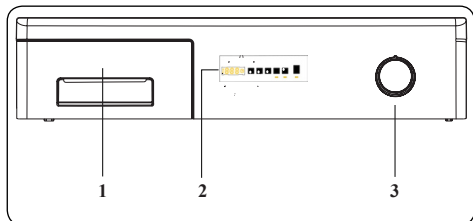


### 3.5 Zapojení odtoku vody



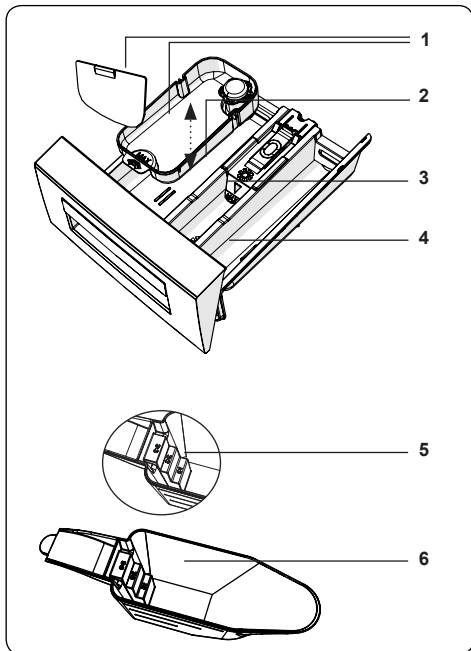
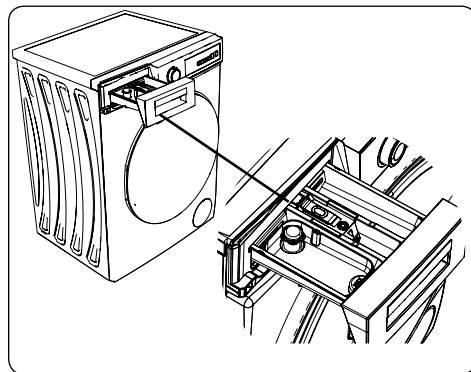
- Připojte odtokovou hadici ke stojanu nebo k výstupnímu kolenu u umyvadla pomocí dalšího vybavení.
- Nikdy se nepokoušejte vypouštěcí hadici prodloužit.
- Hadici pro vypouštění vody z pračky nevkládejte do nádoby, kbelíku ani vany.
- Ujistěte se, že hadice pro vypouštění vody není ohnutá, přehnutá, zmáčknutá ani prodloužená.
- Vypouštěcí hadice se smí nacházet nanejvýš 100 cm od země.

## 4. PŘEHLED OVLÁDACÍHO PANELU



1. Příhrádka na prací prášek
2. Elektronický displej
3. Volič programů

### 4.1 Příhrádka na prací prášek

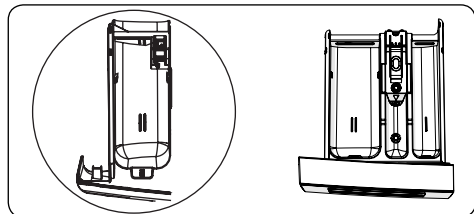


1. Příhrádka na tekutý čistící prostředek
2. Zásobník na prací prášek
3. Zásobník na aviváž
4. Zásobník na prací prášek pro předpírku
5. Stupnice dávkování práškového pracího prostředku
6. Odměrka na práškový prací prostředek (\*)

(\*) Technické údaje se mohou lišit v závislosti na modelu spotřebiče.

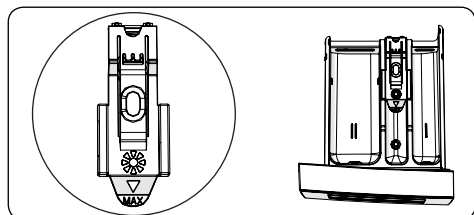
## 4.2 Oddíly

### Zásobník na prací prášek:



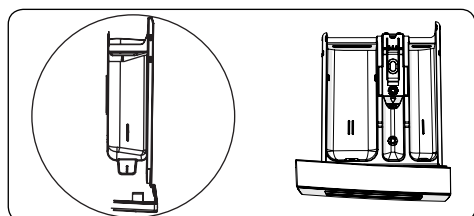
Tento oddíl je určen pro tekuté nebo práškové prací prostředky nebo odstraňovač vodního kamene. Měra hladiny tekutého pracího prostředku se nachází uvnitř spotřebiče. (\*)

### Aviváž, škrob, prací prostředek:



Tento oddíl je určen pro změkčovadla, aviváže nebo škrob. Postupujte podle pokynů na obalu. Pokud změkčovadla po použití zanechají na prádle stopy, zkuste je zředit nebo použít tekuté změkčovadlo.

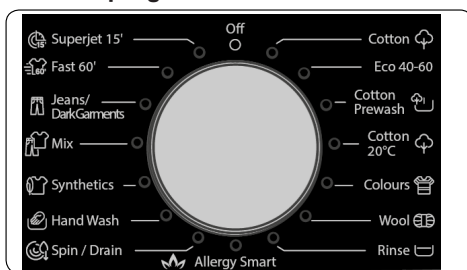
### Zásobník na prací prostředek pro předpírku:



Tento zásobník byste měli používat, pouze pokud jste vybrali funkci předpírky. Doporučujeme používat funkci předpírky pouze pro velmi špinavé prádlo.

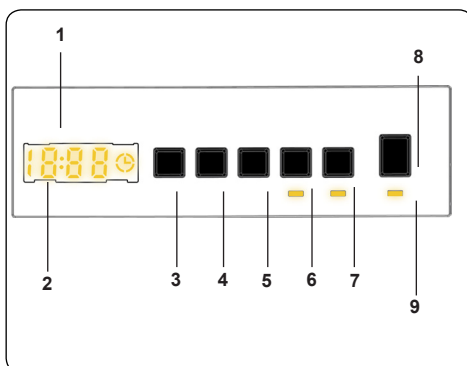
(\*) Technické údaje se mohou lišit v závislosti na modelu spotřebiče.

## 4.3 Volič programů



- Pro výběr požadovaného programu otáčejte voličem programů ve směru nebo proti směru hodinových ručiček, dokud značka na voliči programů neukáže na vybraný program.
- Zkontrolujte, zda je volič programů přesně na programu, který chcete vybrat.

## 4.4 Elektronický displej

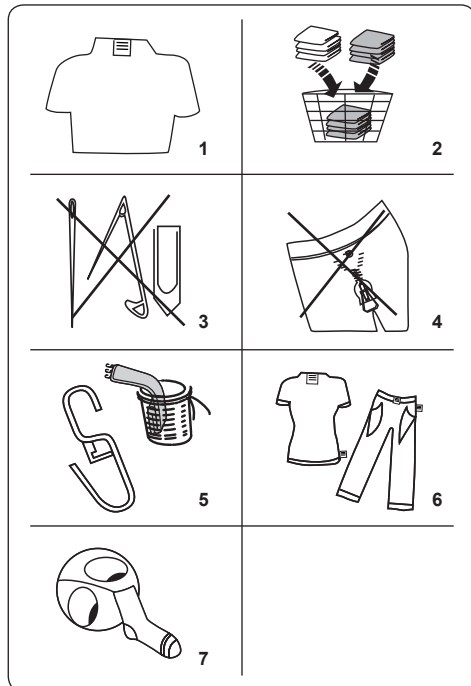


1. Elektronický displej
2. Digitální displej
3. Tlačítko nastavení teploty vody
4. Tlačítko nastavení rychlosti otáček
5. Přídavná funkce odloženého startu
6. Tlačítko doplňkové funkce 1
7. Tlačítko doplňkové funkce 2
8. Tlačítko Start/Pauza
9. Kontrolka tlačítka Start/Pauza

Na displeji se zobrazí časovač odloženého startu (pokud je nastaven), nastavená teplota a rychlost otáček při ždímání všechny další vybrané funkce. Po dokončení vybraného programu se na displeji zobrazí „Konec“. Displej také ukazuje, zda došlo k poruše pračky.

## 5. POUŽITÍ PRAČKY

### 5.1 Příprava prádla



1. Postupujte podle pokynů uvedených na štítcích na oděvu.

- Rozdělte prádlo podle typu (bavlna, syntetika, jemné, vlna atd.), teploty praní (studená, 30°, 40°, 60°, 90°) a míry znečištění (mírně znečištěné, znečištěné, silně znečištěné).

2. Nikdy neperte barevné a bílé prádlo dohromady.

- Tmavé látky mohou obsahovat přebytečné barvivo a měly byste je několikrát vyprat samostatně.

3. Ujistěte se, že na prádle nebo v kapsách nejsou kovové předměty; pokud ano, odstraňte je.

**POZOR:** Záruka se nevztahuje na poruchy, ke kterým dojde v důsledku poškození cizím materiálem.

4. Zapněte zipy, všechny háčky a očka.

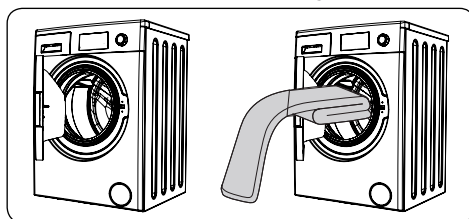
5. Odstraňte kovové nebo plastové háčky záclon nebo je vložte do prací sítky nebo sáčku.

6. Obratě naruby textilie, jako jsou kalhoty, úplety, trička a mikiny.

7. Ponožky, kapesníky a jiné drobné prádlo perte v ochranné síťce.

 Může být bělené	 Nebělte	 Normální praní
 Maximální teplota žehlení 150 °C	 Maximální teplota žehlení 200 °C	 Nežehlete
 Může být chemicky čišťeno	 Nemůže být chemicky čišťeno	 Sušte položené
 Nežehlivé	 Sušit zavěšené	 Nesušte v sušičce
 Je povoleno chemické čištění v plynovém oleji, čistém alkoholu a R113	 Perchlorethylen R11, R13, ropa	 Perchlorinetylen R11, R113, plynový olej

### 5.2 Vložení prádla do pračky



- Otevřete dvířka pračky.

- Rozložte prádlo rovnoměrně do pračky.

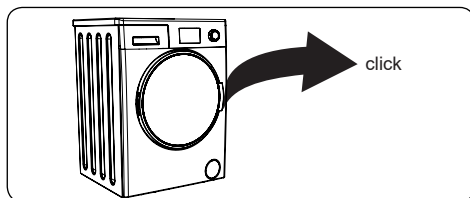
**POZNAMKA:** Dávejte pozor, abyste nepřekročili maximální náplň bubny, protože by to vedlo ke špatným výsledkům praní a ke zmačkání prádla. Informace o kapacitě pračky naleznete v tabulce pracích programů.

Následující tabulka ukazuje přibližnou hmotnost běžných typů prádla:



TYP PRÁDLA	HMOTNOST (g)
Ručník	200
Povlečení	500
Župan	1 200
Přikrývka	700
Povlak na polštář	200
Spodní prádlo	100
Ubrus	250

- Vložte každý kus prádla zvlášť.
- Zkontrolujte, zda se mezi gumovým těsněním a dvířky nezachytily žádné předměty.
- Jemně zatlačte na dvířka, dokud nezaklapnou.



- Ujistěte se, že jsou dvířka zcela zavřena, jinak se program nespustí.

### 5.3 Přidání pracího prostředku do pračky

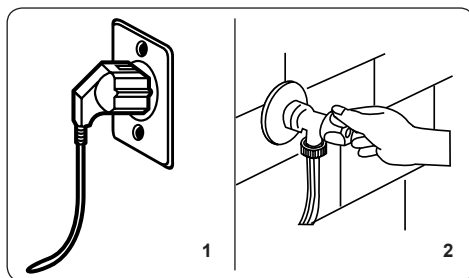
Množství pracího prostředku použitého v pračce závisí na následujících kritériích:

- Pokud je prádlo jen mírně zašpiněné, nepředpírejte ho. Vložte malé množství pracího prostředku (podle údajů výrobce) do oddílu II zásuvky na prací prostředky.
- Pokud je prádlo příliš znečištěné, vyberte program s předpírkou a vložte ¼ pracího prostředku, který se má použít, do oddílu I zásuvky na prací prostředek a zbytek do oddílu II.
- V pračce používejte prací prostředky určené pro automatické pračky. Řiďte se pokyny výrobce ohledně množství pracího prostředku, které se má použít.
- V oblastech s tvrdou vodou je zapotřebí více pracího prostředku.
- Množství potřebného pracího prostředku se zvyšuje s většími dávkami prádla.

- Do prostředního prostoru zásuvky na prací prostředek vložte změkčovač. Nepřekračujte rysku MAX.
- Hustá změkčovadla mohou způsobit ucpání zásuvky a měla by být zředěna.
- Tekuté prací prostředky je možné použít ve všech programech bez předpírky. V takovém případě zasuňte měрку hladiny tekutého pracího prostředku (\*) do zdířek v oddílu II zásuvky na prací prostředek. Čárky na měrcce použijte jako vodítko pro naplnění zásuvky na požadovanou úroveň.

(\*) Technické údaje se mohou lišit v závislosti na modelu spotřebiče.

### 5.4 Obsluha pračky



1. Zapojte pračku do elektrické sítě.
  2. Zapněte přívod vody.
- Otevřete dvířka pračky.
  - Rozložte prádlo rovnoměrně do pračky.
  - Jemně zatlačte na dvířka, dokud nezaklapnou.

### 5.5 Výběr programu

Použijte tabulku programů a vyberte nejvhodnější program pro vaše prádlo.

### 5.6 Systém detekce poloviční náplně

Vaše pračka má funkci detekce poloviční náplně.

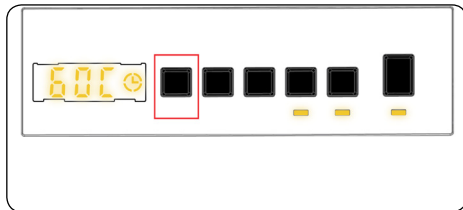
Pokud do pračky vložíte méně než polovinu maximálního množství prádla, automaticky nastaví funkci poloviční náplně bez ohledu na vybraný program. To znamená, že dokončení vybraného programu zabere méně času a spotřebuje se méně vody a energie.

(\*) V závislosti na modelu spotřebiče

## 5.7 Příkladné funkce

### 1. Výběr teploty

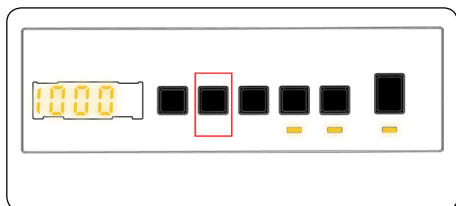
Pomocí tlačítka pro nastavení teploty vody změňte automaticky naprogramovanou teplotu vody.



Po zvolení programu se automaticky nastaví maximální teplota pro tento program. Chcete-li teplotu změnit, stiskněte tlačítko pro nastavení teploty vody, dokud se na digitálním displeji nezobrazí požadovaná teplota.

Teplotu vody můžete postupně snižovat, a to mezi maximální teplotou vody vybraného programu a práním za studena (- - C) jednoduše stisknutím tlačítka pro nastavení teploty.

### 2. Výběr rychlosti otáček při ždímání

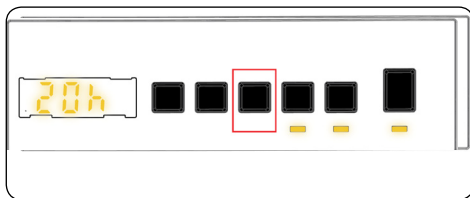


Po zvolení programu se automaticky nastaví maximální rychlost ždímání.

Chcete-li rychlost ždímání změnit v rozsahu od maximální rychlosti po žádné ždímání (- - -), stiskněte tlačítko Rychlost otáček při ždímání, dokud se nezobrazí požadovaná rychlost.

Pokud jste přeskočili požadovanou rychlost otáček při ždímání, opakovaně stiskněte tlačítko pro nastavení rychlosti ždímání, dokud se znovu nezobrazí požadovaná rychlost.

## 3. Časovač odloženého startu (\*)



Tuto přídatnou funkci můžete použít pro odložení startu pracího cyklu o 1 až 23 hodin.

Použití funkce odloženého startu:

- Stiskněte jednu tlačítko odloženého startu.
- Zobrazí se hlášení "01h". Na elektronickém displeji se rozsvítí ☉.
- Stiskněte tlačítko odloženého startu, dokud nedosáhnete času, po jehož uplynutí má pračka spustit prací cyklus.
- Pokud jste přeskočili požadovaný čas odloženého startu, opakovaně stiskněte tlačítko pro nastavení odloženého startu, dokud se na displeji znovu nezobrazí požadovaný čas.
- Chcete-li použít funkci odloženého startu, musíte stisknutím tlačítka Start/Pauza spustit pračku.
- Pokud chcete funkci odloženého startu zrušit:
  - Pokud jste stiskli tlačítko Start/Pauza pro spuštění pračky, stačí jednou stisknout tlačítko odloženého startu. ☉ na displeji zhasne.
  - Pokud jste nestiskli tlačítko Start/Pauza, mačkejte tlačítko odloženého startu nepřetržitě, dokud ☉ na displeji nezhasne. ☉ na displeji zhasne.



**POZNÁMKA:** V případě, že si přejete zvolit nějakou přídatnou funkci, když LED kontrolka přídatné funkce nesvítí, znamená to, že tuto funkci nelze použít ve zvoleném pracím programu.

#### 4. Parní asistent (\*)



Díky aplikaci páry můžete po praní prádlo méně pokrčit. Pára proniká a uvolňuje oblečení, eliminuje vrásky a zanechává naše oblečení měkké a jemné.

#### 5. Antialergická funkce(\*)



Pomocí této funkce můžete nastavit přidavné máchání prádla. Pračka provede všechny kroky máchání horkou vodou. Toto nastavení doporučujeme pro prádlo, které se nosí na jemnou pokožku, dětské oblečení a spodní prádlo.

Tuto funkci vyberte stisknutím tlačítka Antialergická funkce, když je zobrazen symbol ☼.

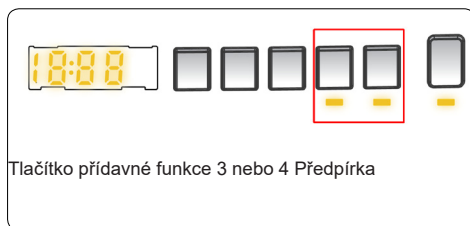
#### 6. Snadné žehlení(\*)



Při použití této funkce bude prádlo na konci zvoleného pracovního programu méně pomačkané.

Tuto funkci vyberte stisknutím tlačítka Snadné žehlení, když je zobrazen symbol ☁.

#### 7. Předprírka(\*)



Tato přidavná funkce vám umožňuje předprát silně zašpiněné prádlo před tím, než proběhne hlavní prací program. Při použití této funkce musíte nasypat prací prášek do přední přihrádky v přední zásuvce.

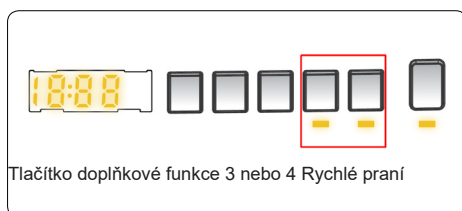
Tuto funkci vyberte stisknutím tlačítka Předprírka, když je zobrazen symbol ☽.

#### 8. Extra máchání(\*)



Pomocí této přidavné funkce můžete nastavit doplňující máchání prádla na konci vybraného programu. Tuto funkci vyberte stisknutím tlačítka Extra máchání, když je zobrazen symbol ☽.

#### 9. Rychlé praní(\*)



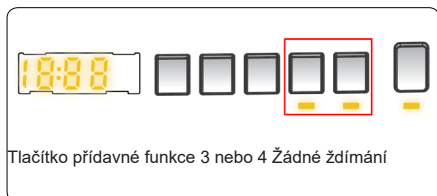
Použitím této funkce můžete prádlo vyprat za kratší dobu a spotřebovat tak méně energie a vody.

Tuto možnost doporučujeme použít pouze v případě, že pro vybraný program perete méně než polovinu maximální náplně suchého prádla.

Tuto funkci vyberte stisknutím tlačítka Rychlé praní, když je zobrazen symbol ☼.

**POZNÁMKA:** Pokud do pračky vložíte méně než polovinu maximálního množství prádla, pračka automaticky nastaví funkci poloviční náplně, bez ohledu na vybraný program. To znamená, že dokončení vybraného programu zabere méně času a spotřebuje se méně vody a energie. Pokud vaše pračka detekuje polovinu náplně, na displeji se automaticky zobrazí symbol ☹.

## 10. Žádné ždímání(\*)



Tlačítko přídavné funkce 3 nebo 4 Žádné ždímání

Pokud prádlo nechcete ždímat, můžete použít tuto přídavnou funkci. Když se rozsvítí kontrolka symbolu ☹, můžete program aktivovat stisknutím tlačítka Zrušit ždímání na panelu displeje.

## 11. Praní za studena(\*)

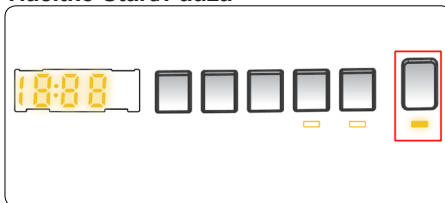


Tlačítko přídavné funkce 3 nebo 4 Praní za studena

Tuto pomocnou funkci můžete použít, když chcete prádlo prát ve studené vodě (ve vodě z kohoutku). Když se rozsvítí kontrolka symbolu ❄, můžete program aktivovat stisknutím tlačítka Prání za studena na panelu displeje.

(\*)Technické údaje se mohou lišit v závislosti na modelu spotřebiče.

## Tlačítko Start/Pauza

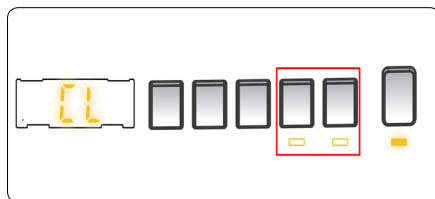


Stisknutím tlačítka Start/Pauza můžete vybraný program spustit nebo pozastavit spuštěný program. Pokud pračku přepnete do pohotovostního režimu, na displeji se rozblíká kontrolka Start/Pauza.

## 5.8 Dětská pojistka

Funkce Dětská pojistka umožňuje uzamknout tlačítka, takže zvolený prací cyklus nelze nedopatřením změnit.

Chcete-li aktivovat dětskou pojistku, stiskněte a podržte současně tlačítka 2 a 3 po dobu nejméně 3 sekund. Po aktivaci dětské pojistky na elektronickém displeji 2 sekundy bliká „CL“.



Pokud stisknete libovolné tlačítko nebo změňte voličem programů zvolený program při aktivní dětské pojistce, na elektronickém displeji bude 2 sekundy blikat symbol „CL“.

Pokud pračka již pere, dětská pojistka je aktivní a vy se pokusíte změnit program otočením voliče programů na polohu ZRUŠIT a následně na požadovaný program, pračka bude i nadále beze změny pokračovat v prání.

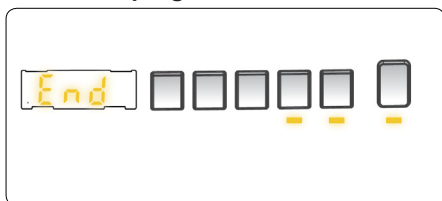
Chcete-li deaktivovat dětskou pojistku, stiskněte a podržte současně tlačítka 2 a 3 po dobu nejméně 3 sekund, dokud z displeje nezmezí symbol „CL“.

## 5.9 Zrušení programu

### Vybraný program lze kdykoliv zrušit:

1. Volič programů přepněte do polohy „STOP“.
2. Pračka zastaví prací cyklus a program se zruší.
3. Otočením voliče PROGRAMŮ na jakýkoliv jiný program vypustíte z pračky vodu.
4. Vaše pračka provede nezbytné vypouštění vody a zruší program.
5. Nyní můžete vybrat a spustit nový program.

## 5.10 Konec programu



Vaše pračka se sama zastaví, jakmile vybraný program skončí.

- Na displeji se rozbliká hlášení „“.
- Můžete otevřít dvířka pračky a vyjmout prádlo.
- Dvířka pračky nechte otevřená, aby mohla vnitřní část pračky vyschnout.
- Volič programů přepněte do polohy „STOP“.
- Pračku odpojte ze sítě.
- Zavřete přívod vody.

## 6. TABULKA PROGRAMŮ

Program	Teplota praní (°C)	Maximální kapacita suchého prádla (kg)	Zásuvka na práci prášek	Trvání programu (min.)	Typ prádla / Popisy
BAVLNA	*60-90-80-70-40	8	2	215	Velmi špinavé, bavlněné a lněné prádlo. (Spodní prádlo, povlečení, ubrusy, ručníky (max. 4,0 kg) atd.)
EKO 40-60	*40 - 60	8	2	215	Špinavá bavlna a lněný textil. (Spodní prádlo, povlečení, ubrusy, ručníky (max. 4,0 kg) atd.)
Předpírka - Bavlna	*60 - 50 - 40 - 30 - "- -C"	8	1&2	171	Špinavá bavlna a lněný textil. (Spodní prádlo, povlečení, ubrusy, ručníky (max. 4,0 kg) atd.)
BAVLNA 20°C	*20- "- -C"	4	2	96	Méně špinavý bavlněný a lněný textil. (Spodní prádlo, povlečení, ubrusy, ručníky (max. 2,0 kg), ložní prádlo atd.)
Barevné Prádlo	*40 - 30 - "- -C"	3,5	2	210	Méně špinavý bavlněný a lněný textil. (Spodní prádlo, povlečení, ubrusy, ručníky (max. 2,0 kg), ložní prádlo atd.)
VLNA	*30 - "- -C"	2,5	2	44	Vlněné prádlo s produktovými štítky.
MÁCHÁNÍ	** - -C"	8	-	30	Další máchání jakéhokoli typu prádla po praní.
Antialergický	*60 - 50 - 40 - 30 - "- -C"	4	2	212	Dětské prádlo
Odstředování/ Vypouštění	** - -C"	8	-	17	Další ždímání jakéhokoli typu prádla po praní.
RUČNÍ PRANÍ	*30 - "- -C"	2,5	2	90	Prádlo, u kterého je doporučeno praní v ruce, nebo jemné prádlo.
Syntetika/ Venkovní Oblečení	*40 - 30 - "- -C"	3,5	2	110	Velmi špinavý nebo syntetický textil. (Nylonové punčochy, trička, halenky, syntetické směsi atd.)
Smíšené	*40 - 30 - "- -C"	3,5	2	105	Špinavý bavlněný, syntetický, barevný a lněný textil, lze práť dohromady.
Džíny / Tmavé oděvy	*30 - "- -C"	4	2	96	Černé a tmavé prádlo vyrobené z bavlny, směsných vláken nebo džínoviny. Perte naruby. Džíny často obsahují nadbytek barviva a mohou během prvních několika praní pouštět barvu. Světlé a tmavé prádlo perte zvlášť.
(**) Rychlý 60' 60°C.	*60 - 50 - 40 - 30 - "- -C"	4	2	60	Špinavé, bavlněné, barevné a lněné textilie prané při 60 °C za 60 minut.
(***) Rychlý 15 min.	*30 - "- -C"	2	2	15	Lehce znečištěný bavlněný, barevný a lněný textil můžete práť kratce, po dobu 15 minut.



**POZNÁMKA: DOBA TRVÁNÍ PROGRAMU SE MŮŽE ZMĚNIT V ZÁVISLOSTI MNOŽSTVÍ PRÁDLA, TYPU VODY, OKOLNÍ TEPLOTĚ A VYBRANÝCH PŘÍDAVNÝCH FUNKCÍCH.**

(\*) Teplota vody programu je ve výchozím továrním nastavení.

(\*\*) Má-li vaše pračka funkci rychlého praní, můžete povolit možnost rychlého praní na panelu displeje a naplnit pračku 2 kg nebo menším množstvím prádla a mít vypráno za 30 minut.

(\*\*\*) Vzhledem ke krátké době praní tohoto programu doporučujeme použít méně pracího prostředku. Pokud pračka detekuje nerovnoměrné zatížení, program může trvat déle než 15 minut. Dvířka pračky můžete otevřít 2 minuty po dokončení pracího cyklu. (Toto dvouminutové období není zahrnuto v době trvání programu).

Podle nařízení 1015/2010 a 1061/2010 je program 1 „standardním programem pro bavlnu při 60 °C“ a program 2 „standardním programem pro bavlnu při 40 °C“.

Program Eco 40–60 dokáže společně ve stejném cyklu vyčistit běžně znečištěné bavlněné prádlo s doporučenou teplotou praní 40 °C nebo 60 °C a tento program se používá k posouzení souladu s právními předpisy EU o ekodesignu.

- Nejúčinnější programy, pokud jde o spotřebu energie, jsou zpravidla programy, které perou delší dobu při nižších teplotách.
- Naplnění pračky pro domácnost na kapacitu uvedenou výrobcem pro příslušné programy přispěje k úspoře energie a vody.
- Doba trvání programu, spotřeba energie a hodnoty spotřeby vody se mohou lišit v závislosti na hmotnosti a typu náplně, vybraných doplňkových funkcích, typu vody a okolní teplotě.
- Pro prací programy, které perou při nízké teplotě, se doporučuje používat tekutý prací prostředek. Množství pracího prostředku závisí na množství prádla a míře jeho znečištění. Řiďte se doporučeními výrobce pracího prostředku ohledně používaného množství.
- Rychlost odstředování má vliv na hluk a zbytkový obsah vlhkosti. Čím vyšší rychlost odstředování ve fázi odstředování, tím vyšší hluk a tím nižší zbytkový obsah vlhkosti.
- Přístup do databáze produktů, kde jsou uloženy informace o modelu, můžete získat načtením QR kódu na energetickém štítku.

Název programu	Jmenovitá kapacita kg	Spotřeba energie kWh/cykklus			Doba trvání programu Hodin: Minut			Spotřeba vody Litřů / cyklus			Max. Teplota °C			Zbytkový obsah vlhkosti % 1400 ot. za min.		
		Jmenovitá kapacita	1/2 náplň	1/4 náplň	Jmenovitá kapacita	1/2 náplň	1/4 náplň	Jmenovitá kapacita	1/2 náplň	1/4 náplň	Jmenovitá kapacita	1/2 náplň	1/4 náplň	Jmenovitá kapacita	1/2 náplň	1/4 náplň
Cotton 90 (bavlna na 90 °C)	8	2,38			03:13			82			81			53%		
Cotton 60 (bavlna na 60 °C)	8	1,13			03:35			52			57			53%		
Eco 40-60	8	1,05	0,49	0,27	03:35	02:48	02:30	52	44	37	46	31	25	53%	53%	53%
Syntetika/ Vlnovina/ Oblečení	3,5	0,56			01:50			50			42			53%		
Fast 60 (rychlý na 60 °C)	4	1,02			01:00			34			58			53%		
Cotton 20 (bavlna na 20 °C)	4	0,2			01:36			43			20			53%		



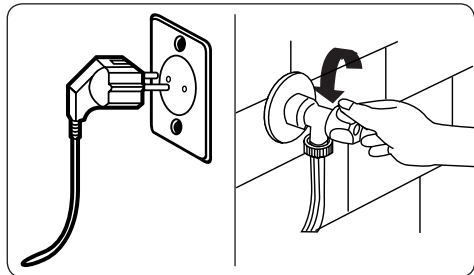
## 6.1 Důležité informace

- Používejte pouze prací prostředky, změkčovadla a doplňky vhodné pro automatické pračky. Vytvořila se nadměrná pěna a byl aktivován systém automatické absorpce pěny následkem použití příliš velkého množství pracího prostředku.
- Doporučujeme pravidelné čištění pračky každé 2 měsíce. Pro pravidelné čištění použijte program Drum Clean (čištění bubnu). Pokud vaše pračka nemá program Drum Clean, použijte program Cotton 90. Podle potřeby použijte jen vhodné přípravky na odstranění vodního kamene vyvinuté speciálně pro pračky.
- Nikdy neotevírejte dvířka, když je pračka v provozu. Dvířka pračky můžete otevřít 2 minuty po dokončení pracího cyklu. \*
- Nikdy neotevírejte dvířka, když je pračka v provozu. Dvířka se otevřou okamžitě po ukončení pracího cyklu. \*
- Činnosti instalace a oprav musí vždy provádět zástupci autorizovaného servisu, aby se předešlo možným rizikům. Výrobce nenese odpovědnost za škody, které mohou vzniknout při procesech prováděných neoprávněnými osobami.

(\*) Technické údaje se mohou lišit v závislosti na modelu spotřebiče.

# 7. ČIŠTĚNÍ A ÚDRŽBA

## 7.1 Varování



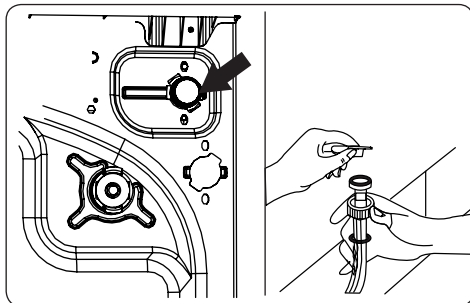
Před přistoupením k údržbě a čištění vypněte spotřebič a vytáhněte zástrčku napájecího kabelu ze zásuvky.

Před zahájením údržby a čištění pračky zavřete přívod vody.

**⚠ POZOR:** K čištění pračky nepoužívejte rozpouštědla, abrazivní čisticí prostředky, prostředky na čištění skla ani univerzální čisticí prostředky. Chemikálie v nich obsažené mohou poškodit plastové povrchy spotřebiče a další komponenty.

## 7.2 Filtry na přívodu vody

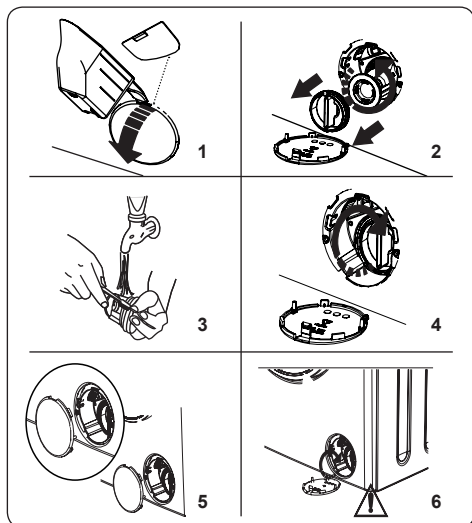
Filtry na přívodu vody zabraňují vniknutí nečistot a cizích materiálů do pračky. Doporučujeme vyčistit tyto filtry, jakmile do pračky nenatéká dostatek vody, ačkoliv je přívod vody zapnut a kohoutek otevřen. Doporučujeme čistit filtry přívodu vody každé 2 měsíce.



- Odšroubujte přívodní hadici (hadice) z pračky.
- Chcete-li vyjmout filtr přívodu vody z napouštěcího ventilu, použijte dlouhé kleštičky a opatrně odstraňte plastovou tyčinku na filtru.
- Druhý filtr přívodu vody je umístěn na konci přívodní hadice, který jde do kohoutku. Chcete-li vyjmout druhý filtr přívodu vody, použijte dlouhé kleštičky a opatrně odstraňte plastovou tyčinku na filtru.
- Filtr důkladně vyčistěte měkkým kartáčem, omyjte mýdlovou vodou a důkladně opláchněte. Filtr jemným zatlačením vložte zpět na místo.

**⚠ POZOR:** Filtry na přívodním ventilu vody mohou být zaneseny v důsledku nízké kvality vody nebo nedostatečné údržby a mohou se poškodit. To může způsobit únik vody. Na takovéto poruchy se nevztahuje záruka.

### 7.3 Filtr čerpadla



Filtrační systém čerpadla ve vaší pračce prodlužuje životnost čerpadla tím, že zabráňuje vniknutí nečistot do pračky. Doporučujeme čistit filtr čerpadla každé 2 měsíce.

Filtr čerpadla je umístěn za krytem v pravém předním dolním rohu.

Čistění filtru čerpadla:

1. K otevření krytu čerpadla můžete použít odměrku na prací prášek (\*) dodávanou se spotřebičem nebo měrku hladiny tekutého pracího prostředku.
2. Zasuňte konec odměrky na prací prášek nebo měrky hladiny tekutého pracího prostředku do otvoru krytu a jemně zatlačte dozadu. Kryt se otevře.
- Před samotným otevřením umístěte pod kryt filtru nádobu, která zachytí veškerou vodu, která v pračce zbyla.
- Uvolněte filtr otáčením proti směru hodinových ručiček a zatáhnutím jej vyjměte. Počkejte, až voda vyteče.

**POZNAMKA:** V závislosti na množství vody uvnitř pračky bude pravděpodobně nutné několikrát vyprázdnit sběrnou nádobu na vodu.

3. Měkkým kartáčem odstraňte z filtru všechny cizí materiály.
4. Po vyčištění znovu vložte filtr na místo a upevněte jej otáčením ve směru hodinových ručiček.

5. Při zavírání krytu filtru se ujistěte, že držáky uvnitř krytu zapadají do otvorů na straně předního panelu.

6. Zavřete kryt filtru.

**VAROVÁNÍ:** Voda v čerpadle může být horká, před čištěním nebo údržbou počkejte, až vychladne.

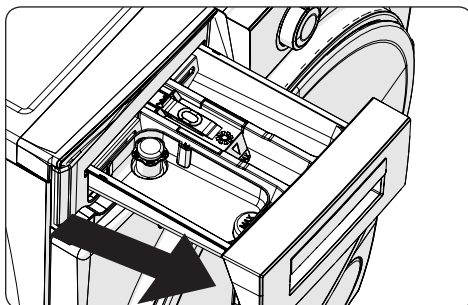
(\* ) Technické údaje se mohou lišit v závislosti na modelu spotřebiče.

### 7.4 Příhrádka na prací prášek

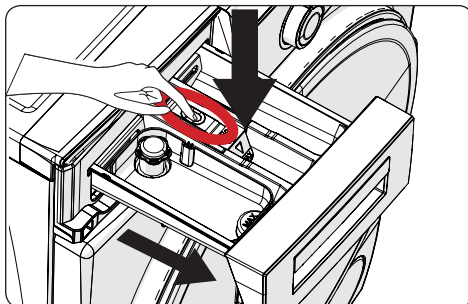
Používání pracího prostředku může časem vést k usazování zbytků v zásuvce na prací prostředek. Doporučujeme vyjmout zásuvku každé 2 měsíce a vyčistit nahromaděné zbytky.

Vyjmutí zásuvky na prací prostředek:

- Vytáhněte zásuvku dopředu tak, aby byla zcela vysunutá.

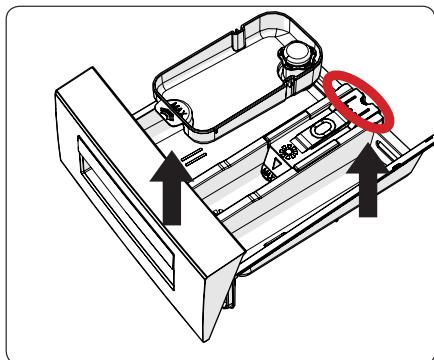


- Zatlačte na místo uvnitř zásuvky vyobrazené níže a zásuvku zcela vytáhněte.



- Vyjměte zásuvku na prací prostředek a demontujte proplachovací zátku. Důkladně odstraňte všechny zbytky změkčovadla. Po očištění vraťte zpět

proplachovací zátku a zkontrolujte, zda je správně usazena.



- Vyčistěte kartáčem a opláchněte velkým množstvím vody.
- Posbírejte zbytky uvnitř zásuvky na prací prostředek tak, aby nespadly do pračky.
- Vysušte zásuvku na prací prostředek ručníkem nebo suchým hadříkem a vložte ji zpět

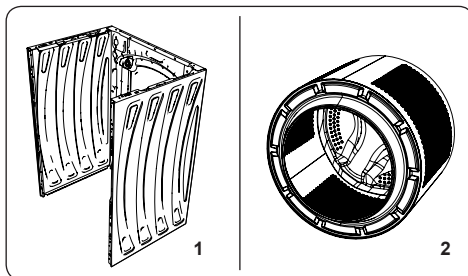
**!** **Nemyjte zásuvku na prací prostředek v myčce na nádobí.**

#### **Zásobník na tekutý prací prostředek(\*)**

Pokud chcete vyčistit zásobník na tekutý prací prostředek, vyjměte jej, jak je znázorněno na obrázku níže, a důkladně vyčistěte zbytky pracího prostředku. Zásobník vraťte zpět. Ujistěte se, že v sifonu nezůstaly žádné zbytky.

(\*) Technické údaje se mohou lišit v závislosti na modelu spotřebiče.

## 8. Tělo / Buben



### 1. Tělo

K čištění vnějšího pouzdra použijte jemný neabrazivní čisticí prostředek nebo mýdlo a vodu. Otřete dosucha měkkým hadříkem.

### 2. Buben

Nenechávejte v pračce kovové předměty, jako jsou jehly, kancelářské sponky, mince atd. Tyto předměty vedou k tvorbě rzi na bubnu. K čištění rzi použijte čisticí prostředek bez obsahu chloru a postupujte podle pokynů výrobce čisticího prostředku. Nikdy nepoužívejte drátěnku nebo podobné tvrdé předměty k čištění skvrn od rzi.

## 9. ŘEŠENÍ PROBLÉMU

Opravu pračky by měla provádět autorizovaná servisní společnost. Pokud pračka vyžaduje opravu nebo pokud nemůžete vyřešit problém pomocí níže uvedených pokynů, měli byste:

- Odpojit pračku od napájení.
- Zavřít přívod vody.

CHYBA	MOŽNÁ PŘÍČINA	ŘEŠENÍ PROBLÉMU
Pračka se nezapne.	Pračka není připojena k elektrické síti.	Připojte pračku k elektrické síti.
	Pojistky jsou vadné.	Vyměňte pojistky.
	Žádné síťové napájení.	Zkontrolujte napájení ze sítě.
	Tlačítko Start/Pauza nebylo stisknuto.	Stiskněte tlačítko Start/Pauza
	Pozice programového voliče „stop“.	Volič programu přepněte do požadované polohy.
	Dvířka pračky nejsou úplně zavřena.	Dveře pračky zavřete.
Pračka nenapouští vodu.	Vodovodní kohoutek je zavřen.	Otevřete kohoutek.
	Hadice pro přívod vody může být zamotána.	Zkontrolujte přívodní hadici a rozmotejte ji.
	Hadice pro přívod vody je ucpána.	Vyčistěte filtry přívodní hadice. (*)
	Přívodní filtr je ucpán.	Vyčistěte filtry přívodu vody. (*)
	Dvířka pračky nejsou úplně zavřena.	Dveře pračky zavřete.
Pračka nevypouští vodu.	Vypouštěcí hadice je zanesena nebo zamotána.	Zkontrolujte vypouštěcí hadici a poté ji vyčistěte nebo rozvíňte.
	Filtr čerpadla je ucpán.	Vyčistěte filtr čerpadla. (*)
	V bubnu je prádlo příliš natlačeno k sobě.	Rozložte prádlo rovnoměrně do pračky.
Pračka vibruje.	Nožičky nebyly nastaveny.	Seřídte nožičky. (**)
	Přepravní šrouby nebyly odstraněny.	Odstraňte přepravní šrouby z pračky. (**)
	Malé zatížení v bubnu.	To nezabrání provozu pračky.
	Pračka je přetížená prádlem nebo je prádlo nerovnoměrně rozprostřeno.	Nepřetěžujte buben. V bubnu rovnoměrně rozprostřete prádlo.
	Pračka je umístěna na tvrdém povrchu.	Neumístujte pračku na tvrdý povrch.
V zásuvce na prací prostředek se vytváří nadměrné množství pěny.	Bylo použito nadměrné množství pracího prostředku.	Stiskněte tlačítko Start/Pauza Chcete-li pění zastavit, rozděte jednu polévkovou lžičci změkčovače v 1/2 litru vody a nalijte ji do zásuvky na prací prostředek. Po 5 – 10 minutách stiskněte tlačítko Start/Pauza.
	Byl použit nevhodný prací prostředek.	V pračce používejte pouze prací prostředky vyrobené pro automatické pračky.
Neuspokojivý výsledek praní.	Vaše prádlo je pro vybraný program příliš špinavé.	Pomocí informací v tabulce programů vyberte nejvhodnější program.
	Bylo použito příliš malé množství pracího prostředku.	Používejte správné množství pracího prostředku podle pokynů na obalu.
	V pračce je příliš mnoho prádla.	Zkontrolujte, zda nebyla překročena maximální kapacita pro vybraný program.

CHYBA	MOŽNÁ PŘÍČINA	ŘEŠENÍ PROBLÉMŮ
Neuspokojivý výsledek praní.	Tvrdá voda.	Podle pokynů výrobce zvýšte množství pracího prostředku.
	V bubnu je prádlo příliš natlačeno k sobě.	Zkontrolujte, zda je prádlo v bubnu rovnoměrně rozprostřeno.
Jakmile se pračka naplní vodou, voda se vypouští.	Konec vypouštěcí hadice je pro pračku příliš nízký.	Zkontrolujte, zda je vypouštěcí hadice ve vhodné výšce. (**).
Během praní se v bubnu neobjevila voda.	Žádná chyba. Voda je v části bubnu, která není viditelná.	.....
Na prádle ulpívají zbytky pracího prostředku.	Nerозpouštějící se částice některých pracích prostředků se mohou na vašem prádle objevit jako bílé skvrny.	Po uschnutí proveďte další máchání nebo vyčistěte prádlo kartáčem.
Na prádle se objevují šedé skvrny.	Na vašem prádle je neošetřený olej, krém nebo mast.	Pro příští praní používejte správné množství pracího prostředku podle pokynů na obalu.
Cyklus ždímání neprobíhá nebo probíhá později, než se očekávalo.	Žádná chyba. Byl aktivován systém nevyváženého zatížení.	Systém kontroly nevyváženého zatížení se bude snažit prádlo rovnoměrně rozložit v bubnu. Ždímání začne, jakmile se prádlo rozloží. Při příštím praní rozprostřete prádlo v bubnu rovnoměrně.

(\*) Viz kapitola týkající se údržby a čištění pračky.

(\*\*) Viz kapitola týkající se instalace pračky.

## 10. AUTOMATICKÁ ÚPOZORNĚNÍ NA ZÁVADU A CO JE TŘEBA UDĚLAT

Pračka je vybavena vestavěným systémem detekce poruch. Poruchy jsou indikovány kombinací blikajících provozních kontrol. Nejběžnější chybové kódy jsou uvedeny níže.

CHYBOVÝ KÓD	PŘÍČINA	NÁPRAVA
E01	Dvířka pračky nejsou správně zavřena.	Zavřete správně dvířka, dokud neuslyšíte cvaknutí. Pokud vaše pračka i nadále ukazuje závadu, pračku vypněte, odpojte a okamžitě kontaktujte nejbližší autorizovaný servis.
E02	Nedostatečný tlak vody nebo nízká hladina vody uvnitř pračky.	Zkontrolujte, zda je kohoutek zcela otevřen. Přívod vody může být odpojen. Pokud problém přetrvává, pračka se po chvíli automaticky zastaví. Pračku odpojte, zavřete kohoutek přívodu vody a kontaktujte nejbližší autorizovaný servis.
E03	Vadné čerpadlo, ucpaný filtr čerpadla nebo vadné elektrické zapojení čerpadla.	Vyčistěte filtr čerpadla. Pokud problém přetrvává, kontaktujte nejbližší autorizovaný servis. (*)
E04	V pračce je nadměrné množství vody.	Pračka vodu sama vypustí. Jakmile se voda vypustí, pračku vypněte a odpojte ji ze sítě. Zavřete kohoutek přívodu vody a kontaktujte nejbližší autorizovaný servis.

(\*) Viz kapitola týkající se údržby a čištění pračky.



[www.sharphomeappliances.com](http://www.sharphomeappliances.com)





# Service & Support

Visit Our Website  
[sharphomeappliances.com](http://sharphomeappliances.com)

52335997

**SHARP**

Be Original.