



SJ-BB05DTXW1-UA

SJ-BB05DTXL1-UA

SJ-BB05IMXL1-UA

Fridge-freezers

EN User Manual

UA Інструкція з Експлуатації



Contents

CHAPTER -1: GENERAL WARNINGS	2
CHAPTER -2: YOUR FRIDGE FREEZER	5
CHAPTER -3: USING YOUR FRIDGE FREEZER.....	6
CHAPTER -4: FOOD STORAGE GUIDANCE	9
CHAPTER -5: DOOR REVERSAL	9
CHAPTER -6: TROUBLESHOOTING	9
CHAPTER -7: TIPS FOR SAVING ENERGY	10

Your fridge freezer conforms to current safety requirements. Inappropriate use can lead to personal injury and damage to property. To avoid the risk of damage read this manual carefully before using your fridge freezer for the first time. It contains important safety information on the installation, safety, use and maintenance of your Fridge Freezer. Retain this manual for future use.

CHAPTER -1: GENERAL WARNINGS



WARNING: Keep the ventilation openings of the Fridge clear from obstruction.



WARNING: Do not use mechanical devices or other means to accelerate the defrosting process.



WARNING: Do not use other electrical appliances inside the Fridge.



WARNING: Do not damage the refrigerant circuit.

WARNING: To avoid personal injury or damage this appliance must be installed in accordance with the manufacturer instructions.

WARNING: When positioning the appliance, ensure the supply cord is not trapped or damaged.

WARNING: Do not locate multiple portable socket-outlets or portable power supplies at the rear of the appliance.

WARNING: Do not use plug adapter.



SYMBOL ISO 7010 W021

Warning: Risk of fire / flammable materials



The small quantity of refrigerant used in this fridge is eco- friendly R600a (an isobutene) and is flammable and explosive if ignited in enclosed conditions.

- * While carrying and positioning the fridge, do not damage the cooler gas circuit.
- * Do not store any containers with flammable materials, such as spray cans or fire extinguisher refill cartridges in the vicinity of the fridge.
- * This appliance is intended to be used in household and similar applications such as;
 - staff kitchen areas in shops, offices and other working environments which can be equated with ordinary household
 - farm houses and by clients in hotels, motels and other residential type environments which can be equated with ordinary household
 - bed and breakfast type environments which can be equated with ordinary household

CHAPTER -1: GENERAL WARNINGS

- catering and similar non-retail applications which can be equated with ordinary household
- * Your fridge requires a 220-240V, 50Hz mains supply. Do not use any other supply. Before connecting your fridge, ensure that the information on the data plate (voltage and connected load) matches the mains electricity supply. If in doubt, consult a qualified electrician)
- * This appliance can be used by children aged from 8 years and above and persons with reduced physical, sensory or mental capabilities or lack of experience and knowledge if they have been given supervision or instruction concerning use of the appliance in a safe way and understand the hazard involved. Children shall not play with the appliance. Cleaning and user maintenance, shall not be made by children without supervision.
- * A damaged power cord /plug can cause fire or give you an electric shock. When damaged it must be replaced, this should only be done by qualified personnel.
- * This appliance is not intended for use at altitudes exceeding 2000 m.

CHAPTER -1: SAFETY INSTRUCTIONS

Disposal

- All packaging and materials used are environmentally friendly and recyclable. Please dispose of any packaging in an environmentally friendly manner. Consult your local council for further details.
- When the appliance is to be scrapped, cut off the electrical supply cable and destroy the plug and cable. Disable the door catch in order to prevent children becoming trapped inside.
- A cut off plug inserted into a 16 amp socket is a serious safety (shock) hazard. Please ensure the cut off plug is disposed of safely.

For Denmark products:

The appliance is equipped with a plug approved in the EU (EU-Schuko Plug) and can be used in Finland, Norway and Sweden. In Denmark, the appliance is only approved for use with a wall outlet type E or type CEE7 // 7-S with a ground leg. If there is only wall outlet type K at the connection point, Replacing EU-Schuko plug with the Danish plug must be performed by only an authorized service personel. Alternatively, connect a suitable and approved power adapter to transition between Schuko plug and Danish earth system. This adapter (min. 10 amps and up to max. 13 amps) can be ordered via a well assorted whitegoods dealer or authorized electrician. Only with one of these methods it can be ensured that the appliance is the correct safety ground. In the absence of earthing installation, an authorised electrician should carry out an earthing installation. In the case of use without earthing installed, we will not be responsible for any loss of use that may occur.

Disposal of your old appliance



This symbol on the product or package implies that the product should not be treated as domestic waste. Instead, it should be delivered to applicable waste collection places recycling electrical and electronic equipment. Recycling materials will help natural resources be preserved. For more detailed information regarding recycling of this product, please contact local authority, domestic waste disposal service or the shop you have purchased the product from.

Please ask your local authority about the disposal of the WEEE for the reuse, recycle and recovery purposes.

Notes:

- Please read the instruction manual carefully before installing and using your appliance. We are not responsible for the damage occurred due to misuse.
- Follow all instructions on your appliance and instruction manual, and keep this manual in a safe place to resolve the problems that may occur in the future.
- This appliance is produced to be used in homes and it can only be used in domestic environments and for the specified purposes. It is not suitable for commercial or common use. Such use will cause the guarantee of the appliance to be cancelled and our company will not be responsible for the losses to be occurred.
- This appliance is produced to be used in houses and it is only suitable for cooling / storing foods. It is not suitable for commercial or common use and/or for storing substances except for food. Our company is not responsible for the losses to be occurred in the contrary case.

Safety warnings

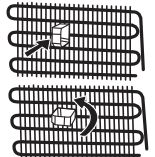


- Do not connect your Fridge Freezer to the mains electricity supply using an extension lead.
- A damaged power cord / plug can cause fire or give you and electric shock. When damaged it must be replaced, this should only be done by qualified personnel.
- Never bend the power cord excessively.
- Never touch the power cord / plug with wet hands as this could cause a short circuit electric shock.
- Do not place glass bottles or beverage cans in the freezer department. Bottles or cans may explode.
- When taking ice made in the freezer department, do not touch it, ice may cause ice burns and/or cuts.
- Do not remove items from the freezer if your hands are damp or wet. This could cause skin abrasions or frost / freezer burns.
- Do not refreeze food once it has thawed out.

Installation Information

Before unpacking and manoeuvring your fridge freezer please take some time to familiarise yourself with the following points.

- Position away from direct sunlight and away from any heat source such as a radiator.
- Your appliance should be at least 50 cm away from stoves, Gas ovens and heater cores, and should be at least 5 cm away from electrical ovens.
- Do not expose your fridge freezer to moisture or rain.
- Your fridge freezer should be positioned at least 20mm away from another freezer.
- Clearance of at least 150 mm is required at the top of your appliance. Do not place anything on top of your appliance.
- For safe operation it is important that your fridge freezer is safe and balanced. The adjustable feet are used to level your fridge freezer. Make sure that your appliance is level before placing any foodstuffs inside it.
- We recommend that you wipe all shelving and trays with a cloth soaked in warm water mixed with a teaspoon of bicarbonate of soda before use. After cleaning rinse with warm water and dry.
- Install using the plastic distance guides, which can be found at the rear of the appliance. Turn 90 degrees (as shown in the diagram). This will keep the condenser from touching the wall.
- Refrigerator should be placed against a wall with a free distance not exceeding 75 mm.



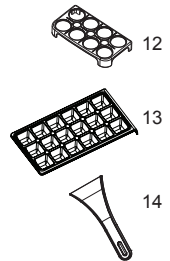
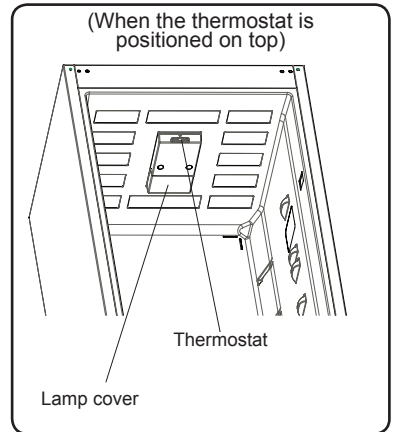
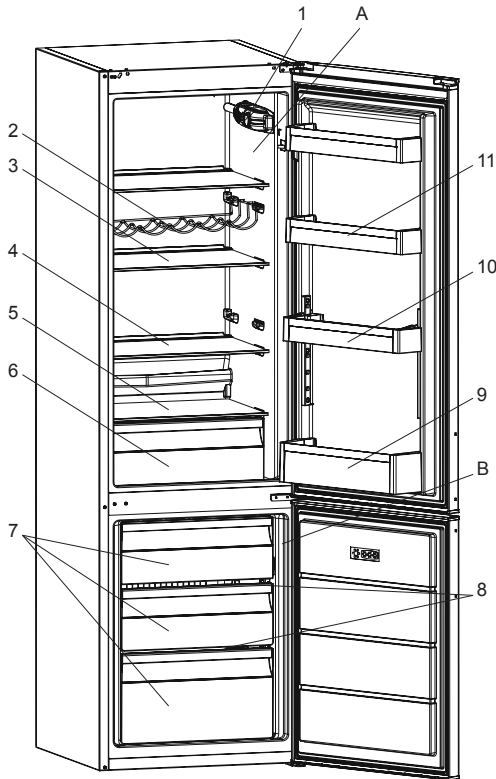
CHAPTER -1: SAFETY INSTRUCTIONS

Before Using your Fridge



- Before setting up your fridge freezer, check for any visible damage. Do not install or use your fridge freezer if it is damaged
- When using your fridge freezer for the first time, keep it in an upright position for at least 3 hours before plugging into the mains. This will allow efficient operation and prevents damage to the compressor.
- You may notice a light odour when using your fridge freezer for the first time. This is perfectly normal and will fade away as the fridge starts to cool.

CHAPTER -2: YOUR FRIDGE FREEZER



This figure has been drawn for information purposes to show the various parts and accessories in the appliance. Parts may vary according to the model of the appliance.

- A) Fridge compartment
B) Freezer compartment

- 1) Thermostat box (When the thermostat is positioned on side)
- 2) Wine rack *
- 3) Fridge compartment shelves
- 4) Adapti-Shelf * / Fridge compartment shelf
- 5) Crisper cover
- 6) Crisper
- 7) Freezer drawers
- 8) Freezer glass shelves *
- 9) Bottle shelf
- 10) Adjustable door shelf (Adapti-Lift)* / Door shelf
- 11) Door upper shelves
- 12) Egg holder
- 13) Ice box tray
- 14) Ice scraper*

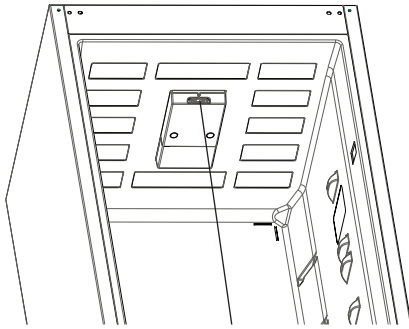
* In some models

CHAPTER -3: USING YOUR FRIDGE FREEZER

Thermostat setting

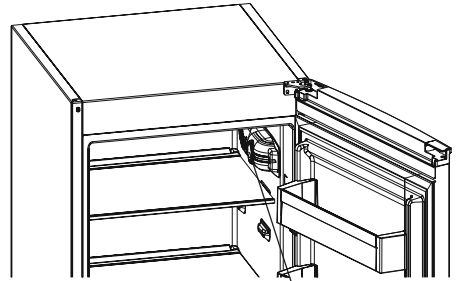
The thermostat automatically regulates the temperature inside the fridge and freezer compartments. To change the temperature the knob can be rotated from position 1 to 5 (5 being the coldest).

When lighting and thermostat are positioned on top



Thermostat knob

When lighting and thermostat are positioned on side



Thermostat knob

- For short-term storage of food in the freezer compartment, you can set the knob between 1 and 3 position.
- For long-term storage of food in the freezer compartment, you can set the knob to the 3-4 position.

Note that; the ambient temperature, temperature of the freshly stored food and how often the door is opened, affects the temperature in the refrigerator compartment. If required, change the temperature setting.

Warnings for temperature settings

- The ambient temperature, temperature of the freshly stored food and how often the door is opened, affects the temperature in the refrigerator compartment. If required, change the temperature setting.
- It is not recommended that you operate your fridge in environments colder than 10°C .
- The thermostat setting should be set by taking into consideration how often the fresh food and freezer doors are opened and closed, how much food is stored in the refrigerator and the environment in which and the positioning of the appliance.
- We recommend that when first using the fridge freezer it should be left running for 24 hours uninterrupted to ensure it is completely cooled . Do not open the fridge doors, or put food inside for this period.
- Your fridge freezer has a 5 minute built in delay function, designed to prevent damage to the compressor. When power is applied to your fridge freezer, it will begin to operate normally after 5 minutes.
- Your fridge is designed to operate in the ambient temperature intervals stated in the standards, according to the climate class stated in the information label. It is not recommended that your fridge is operated in the environments which are out of the stated temperature intervals in terms of cooling efficiency.
- This appliance is designed for use at an ambient temperature within the 16°C - 38°C range.

Climate Class	Ambient Temperature °C
T	Between 16 and 43 (°C)
ST	Between 16 and 38 (°C)
N	Between 16 and 32 (°C)
SN	Between 10 and 32 (°C)

Temperature indicator

In order to help you better set your refrigerator, we have equipped it with a temperature indicator located in the coldest area.

To better store the food in your refrigerator, especially in the coldest area, make sure the message "OK" appears on the temperature indicator. If « OK » does not appear, this means temperature has not been set properly

It may be difficult to see the indicator, make sure it is properly lit. Each time the temperature setting device is changed, wait for the stabilisation of the temperature inside the appliance before proceeding, if necessary, with a new temperature setting. Please change the position of the temperature setting device progressively and wait at least 12 hours before starting a new check and potential change.

NOTE: Following repeated openings (or prolonged opening) of the door or after putting fresh food into the appliance, it is normal for the indication "OK" not to appear in the temperature setting indicator. If there is an abnormal build up of ice crystals of ice crystals (bottom wall of the appliance) on the refrigerator compartment, evaporator (overloaded appliance, high room temperature, frequent door openings), put the temperature setting device on a lower position until compressor off periods are obtained again.



CHAPTER -3: USING YOUR FRIDGE FREEZER

Store food in the coldest area of the refrigerator.



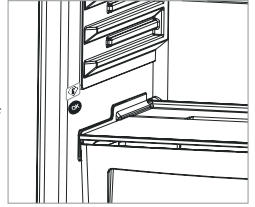
Your foods will be better stored if you put them in the most appropriate cooling area. The coldest area is just above the crisper.

The following symbol indicates the coldest area of your refrigerator.

To be sure to have a low temperature in this area, make sure the shelf is located at the level of this symbol, as shown in the illustration.

The upper limit of the coldest area is indicated by the lower side of the sticker (head of the arrow). The coldest area upper shelf must be at the same level with the arrow head. The coldest area is below this level.

As these shelves are removable, make sure they are always at the same level with these zone limits described on the stickers, in order to guarantee temperatures in this area.



Accessories

Ice tray

- Fill the ice tray with water and place in freezer compartment.
- After the water completely turned into ice, you can twist the tray as shown below to get the ice cube.



Adapti-Lift Door Shelf (In some models)

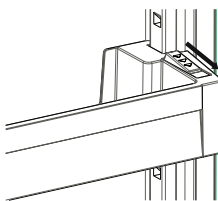


Fig.1

Six different height adjustments can be made to provide storage areas that you need by Adapti-Lift.

To change the position of Adapti-Lift ;

Hold the bottom of the shelf and pull the buttons on the side of the door shelf direction of arrow (Fig.1)

Position door shelf the height you need by moving up and down. After you get the position that you want the door shelf, release the buttons on the side of the door shelf (Fig.2) Before releasing the door shelf, move up down and make sure the door shelf is fixed

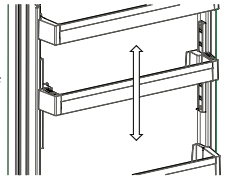


Fig.2

Note: Before moving door shelf is loaded, you must hold the shelf by supporting the bottom. Otherwise, door shelf could fall off the rails due to the weight. So damage may occur on the door shelf or rails.

Adapti-Shelf (In some models)

ADAPTI-Shelf mechanism provides higher storage spaces with a simple movement.

- To cover the glass shelf, push it. (Fig. 1)
- You can place your food as you want in the resulting extra space. (Fig. 2)
- To bring the shelf to its original position, pull it toward you. (Fig. 1)

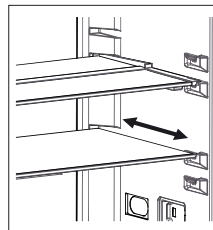


Fig. 1

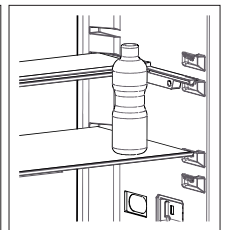


Fig. 2

Visual and text descriptions on the accessories section may vary according which model you have..

Cleaning

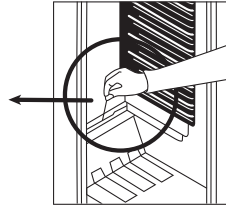
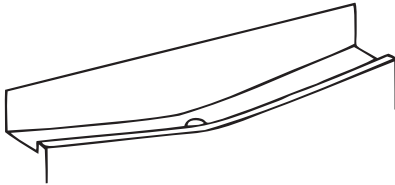
- **Before cleaning your fridge freezer, turn your mains supply off and remove the plug from the socket.**
- Do not wash your fridge freezer by pouring water on to it.
- Use a warm, soapy cloth or sponge to wipe the interior and exterior of your fridge freezer.
- Carefully remove all shelves and drawers by sliding upwards or outwards and clean with soapy water. Do not wash in a washing machine or dishwasher.
- Do not use solvents, abrasive cleaners, glass cleaners or all purpose cleaning agents to clean your fridge freezer. This may cause damage to the plastic surfaces and other components with the chemicals they contain.
- Clean the condenser at the back of your fridge freezer at least once a year with a soft brush or vacuum cleaner.

Make sure that your fridge is unplugged while cleaning.

CHAPTER -3: USING YOUR FRIDGE FREEZER

Defrosting

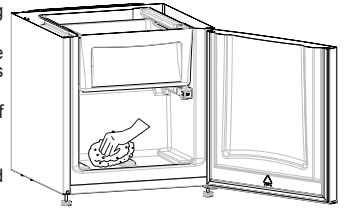
Refrigerator compartment;



- Defrosting occurs automatically in the refrigerator compartment during operation ; water is collected by the evaporating tray and evaporates automatically.
- The evaporating tray and the defrost water drain hole should be cleaned periodically to prevent the water from collecting on the bottom of the refrigerator.

Freezer compartment;

- The frost, which covers the shelves of the freezer compartment, should be removed periodically.
- Do not use sharp metal objects for this operation. They could puncture the refrigerator circuit and cause irreparable damage to the unit. Use the plastic scraper provided.
- When there is more than 5 mm of frost on the shelves, defrosting must be done.
- Before defrosting operation, place the frozen food in a cool place after wrapping them in sheets of newspaper in order to obtain its temperature steady for long time.
- To accelerate the defrosting process place one or more basins of warm water in the freezer compartment.
- Dry the inside of the compartment with a sponge or a clean cloth.
- Once the unit has been defrosted, place the food into freezer and remember to consume them in a short period of time.

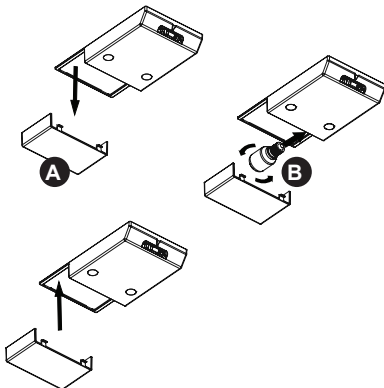


Replacing the light bulb

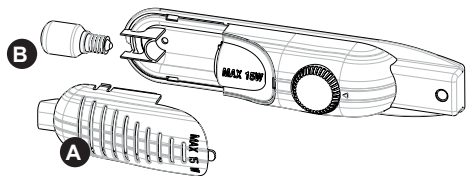
To replace the bulb fridge compartment;

1. Unplug your fridge.
2. Remove the refrigerator light cover (A) by pressing the hooks placed both sides of the cover.
3. Replace with a bulb of maximum 15 Watts. (B)
4. Install the cover.
5. Wait for 5 minutes before re-plugging and bring the thermostat to its original position.

When lighting is positioned on top



When lighting is positioned on side



Replacing LED Lighting

If your fridge freezer has LED lighting contact the Sharp help desk as this should be changed by authorized personnel only.

CHAPTER -4: FOOD STORAGE GUIDANCE

Refrigerator compartment

- To reduce frost build up never place liquids with unsealed containers in the fridge compartment.
- Allow warm or hot food to cool down before storing. This helps reduce power consumption.
- To avoid frost buildup ensure that nothing is stored touching the back wall.
- The coldest area of the refrigerator is at the bottom. We recommend to use this area to store food that will perish easily, such as fish, ready meals, baked goods or dairy products. The warmest area is the top shelf of the door. We recommend you store butter or cheese here.

Freezer compartment

- Use the freezer to store frozen foods for long periods of time and make ice cubes.
- To freeze fresh food - ensure that as much of the surface of food to be frozen is in contact with the cooling surface.
- Do not put fresh food on either side of frozen food as it can thaw it.
- While freezing fresh foods (i.e meat, fish and mincemeat), divide into portion sizes.
- Once the unit has been defrosted replace the foods into freezer and remember to consume them in a short period of time.
- Never place warm food in the freezer compartment.
- The instructions shown on frozen food packages should always be followed carefully and if no information is provided food should not be stored for more than 3 months from the purchased date.
- When buying frozen foods ensure that these have been frozen at suitable temperatures and that the packing is intact.
- Frozen foods should be transported in appropriate containers to maintain the quality of the food and should be stored in the freezer as soon as possible.
- If a package of frozen food shows signs of humidity and abnormal swelling it has been previously stored at an unsuitable temperature and that the contents have deteriorated.
- The storage life of frozen foods depends on the room temperature, thermostat setting, how often the door is opened, the type of food and the length of time required to transport the product from the shop to your home. Always follow the instructions printed on the package and never exceed the maximum storage life indicated.

That; If you decide to open the freezer door again immediately after closing, it may be difficult to re-open. This is normal and after the freezer has reached an equilibrium condition the door will open easily.

Important note:

- *Frozen foods, when thawed, should be cooked just like fresh foods. If they are not cooked after being thawed they must NEVER be re-frozen.*
- The taste of some spices found in cooked dishes (anise, basilica, watercress, vinegar, assorted spices, ginger, garlic, onion, mustard, thyme, marjoram, black pepper, etc.) changes and they assume a strong taste when they are stored for a long period. Therefore, only add a small amount of spice if planning to freeze, or the desired spice should be added after the food has been thawed.
- The storage period of food is dependent on the oil used. The suitable oils are margarine, calf fat, olive oil and butter and the unsuitable oils are peanut oil and pig fat.
- The food in liquid form should be frozen in plastic cups and the other food should be frozen in plastic folios or bags.

CHAPTER -5: DOOR REVERSAL

Repositioning the door

- It depends on which fridge freezer you have as to whether it is possible to reverse the doors.
- It is not possible where handles are attached at the front of the appliance.
- If your model does not have handles it is possible to reverse the doors, but this needs to be completed by authorised personnel. Please call Sharp service.

CHAPTER -6: TROUBLESHOOTING

If your fridge freezer is not operating as expected, there may be a simple solution.

If your refrigerator is not working.

Check that ;

- Is there a power failure?
- Is the plug connected to the socket correctly?
- Is the fuse of the socket to which the plug is connected or the main fuse blown?
- Is there any failure at the socket? To check this, plug your refrigerator into a known working socket.

If the different compartments of the fridge do not get cold enough: Check that ;

- You have not overloaded the appliance ,
- The doors are closed perfectly ,
- There is no dust on the condenser ,

CHAPTER -6: TROUBLESHOOTING

- There is enough space at the rear and side walls.

Your fridge freezer is too noisy.

The cooling gas which circulates in the refrigerator circuit may make a slight noise(bubbling sound) even when the compressor is not running. Do not worry this is quite normal. If these sounds are different check that ;

The appliance is well levelled ,

- Nothing is touching the rear.

If there is water in the lower part of the refrigerator ;

Check that ;

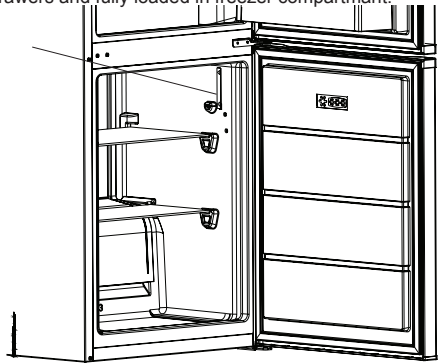
The drain hole for defrost water is not clogged insert a space please (Use defrost drain plug to clean the drain hole)

Recommendations

- In instances of a power cut unplug the appliance. This prevents damage to the compressor. You should delay plugging in 5 – 10 minutes after you regain power supply. This will avoid damage to components.
- The cooling unit of your refrigerator is hidden in the rear wall. Therefore, water droplets or ice may occur on the rear surface of your fridge due to the operation of the compressor in specified intervals. This is normal. There is no need to perform a defrosting operation unless the ice is excessive.
- If you will not use your fridge for a long time (e.g. in summer holidays) unplug it. Clean your fridge according to Part 4 and leave the door open to prevent humidity and smell.
- The appliance you have purchased is designed for home type use and can be used only at home and for the stated purposes. It is not suitable for commercial or common use. If the consumer use the appliance in a way that does not comply with these features, we emphasise that the producer and the dealer shall not be responsible for any repair and failure within the guarantee period.
- If the problem persists after you have followed all the instructions above, please consult an authorised service provider.

CHAPTER -7: TIPS FOR SAVING ENERGY

1. Always allow foodstuffs to cool before storing in the appliance.
2. Thaw food in the fridge compartment, this helps save energy.
3. Energy consumption of your appliance is declared without drawers and fully loaded in freezer compartment.
4. For saving energy, do not use volume between the load limit and the door, along the load limit line. Load limit line is also used in energy consumption declaration.



ЗМІСТ

ЧАСТИНА 1. ПЕРЕД ВИКОРИСТАННЯМ ХОЛОДИЛЬНИКА	12
ЧАСТИНА 2. ЧАСТИНИ ПРИЛАДУ ТА ВІДДІЛЕННЯ	17
ЧАСТИНА 3. ВІДОМОСТІ ЩОДО ВИКОРИСТАННЯ.....	18
ЧАСТИНА 4. ЗБЕРІГАННЯ ПРОДУКТІВ У ХОЛОДИЛЬНИКУ	21
ЧАСТИНА 5. ТРАНСПОРТУВАННЯ ТА ЗМІНА МІСЦЯ РОЗТАШУВАННЯ.....	21
ЧАСТИНА 6. ПЕРЕД ВИКЛИКОМ СЕРВІСНОЇ СЛУЖБИ	22
ЧАСТИНА 7. ПОРАДИ ЩОДО ЕКОНОМІЇ ЕНЕРГІЇ	23

Шановний покупцю!

Мета нашої компанії - пропонувати високоякісну продукцію, яка відповідає всім сучасним вимогам і навіть перевищує очікування наших покупців. Якість цього приладу, який був виготовлений на сучасному обладнанні, була ретельно перевірена під час виробництва. Ця інструкція призначена допомогти покупцеві впевнено і максимально ефективно користуватися цим приладом, який виготовлений за найсучаснішими технологіями. Перед використанням приладу уважно прочитайте цю інструкцію, яка містить загальну інформацію щодо правильного встановлення, технічного обслуговування і експлуатації приладу. З питань встановлення приладу зверніться до найближчої авторизованої сервісної служби.

Декларація про відповідність нормам ЄС

Цей прилад призначено тільки для домашнього використання. Використання приладу не за призначенням (наприклад, для охолодження приміщення) є неприпустимим і небезпечним. Розроблення, виготовлення і розповсюдження цього приладу виконується згідно з наступними стандартами:

- Директива про низьку напругу, 2006/95/ЄС.
- Директива про електромагнітну сумісність, 2004/108/ЄС.
- Директива про маркування у Євросоюзі, 93/68/ЄЕС.

* Ця інструкція з експлуатації може стосуватися кількох моделей, тому можуть трапитися незначні відмінності.

ЧАСТИНА 1. ПЕРЕД ВИКОРИСТАННЯМ ХОЛОДИЛЬНИКА



ПОПЕРЕДЖЕННЯ: Слідкуйте за тим, щоб у вентиляційних отворах корпусу та внутрішній конструкції не було сторонніх предметів.



ПОПЕРЕДЖЕННЯ: Не застосовуйте механічні пристрої та інші засоби для прискорення процесу розморожування окрім тих, які рекомендує виробник.



ПОПЕРЕДЖЕННЯ: Не використовуйте електричні прилади у відсіках для зберігання харчових продуктів, окрім рекомендованих виробником пристрою.

ПОПЕРЕДЖЕННЯ: Не допускайте пошкодження холодильного контуру.



ПОПЕРЕДЖЕННЯ: Щоб уникнути небезпеки через нестійкість пристрою, він має бути встановлений у відповідності з інструкціями.



ПОПЕРЕДЖЕННЯ: Розміщуючи прилад, не допускайте заземлення або пошкодження шнуру живлення.



ПОПЕРЕДЖЕННЯ: Не розташовуйте багатомісні розетки або переносні джерела живлення з заднього боку приладу.



Символ ISO 7010 W021

Попередження: Ризик пожежі / легкозаймисті матеріали



* Якщо у приладі використовується холодильний агент R600a (про це можна дізнатися з інформації на етикетці на холодильнику), необхідно дотримуватися обережності під час транспортування та монтажу, щоб уникнути пошкодження деталей приладу, що містять холодильний агент. Хоча R600a є екологічно безпечним природним газом, він є вибухонебезпечним, і в разі його витікання через пошкодження деталей холодильного контуру слід не допускати використання відкритого полум'я або джерел тепла поблизу холодильника та провітрити приміщення, в якому розташовано прилад, протягом кількох хвилин.

* Під час перенесення та розташування холодильника необхідно слідкувати за тим, щоб не пошкодити холодильний контур.

* Не зберігайте в цьому пристрої вибухові речовини такі, як аерозольні балони з горючим паливом.

ЧАСТИНА 1. ПЕРЕД ВИКОРИСТАННЯМ ХОЛОДИЛЬНИКА

- * Цей прилад призначений для використання в домашніх або подібних умовах, як-от:
 - у кухонних куточках магазинів, офісів та інших робочих зонах;
 - домашніх господарствах та клієнтами в готелях, мотелях та інших житлових приміщеннях;
 - у місцях ночівлі зі сніданком;
 - у місцях громадського харчування та аналогічних неторговельних закладах.
- * Якщо штепсель холодильника не підходить до розетки, його повинен замінити виробник, його агент з обслуговування або спеціаліст аналогічної кваліфікації, щоб уникнути небезпеки.
- * Цей прилад не призначено для використання людьми (включно з дітьми) із обмеженими фізичними, сенсорними або розумовими здібностями, а також тими, які мають недостатній досвід та знання, окрім тих випадків, коли вони користуються приладом під наглядом або керівництвом особи, яка відповідає за їхню безпеку.
- * Слідкуйте за тим, щоб діти не гралися з приладом. До шнура живлення цього холодильника був приєднаний спеціальний штепсель із заземленням. Цей штепсель можна вмикати лише у заземлену розетку, обладнану плавким запобіжником щонайменше на 16 амперів.
- * Якщо у вашому будинку немає такої розетки, зверніться до уповноваженого електрика для встановлення такої. Цей прилад можуть використовувати діти старші 8 років та особи зі зниженими фізичними, сенсорними та ментальними можливостями або котрим бракує досвіду та знань, якщо їм забезпечено нагляд та інструкції щодо безпечного користування приладом і якщо вони розуміють можливу небезпеку. Діти не повинні бавитися з приладом. Чищення та обслуговування не повинні здійснювати діти без нагляду.

ЧАСТИНА 1. ПЕРЕД ВИКОРИСТАННЯМ ХОЛОДИЛЬНИКА

- * Якщо шнур живлення пошкоджений, то, щоб запобігти враженню електричним струмом, його повинен замінити виробник, його технічний представник або спеціаліст аналогічної кваліфікації.
- * Цей прилад не призначено для використання на висоті більше 2000 м над рівнем моря.

CHAPTER -1: SAFETY INSTRUCTIONS

Старі та несправні холодильники

- Якщо у старому холодильнику є замок для блокування дверей, слід зняти або вивести з ладу замок перед утилізацією холодильника, щоб уникнути нещасного випадку, в разі якщо дитина потрапить у пастку, замкнувши себе всередині приладу.
- Старі холодильники містять ізоляційний матеріал та холодильний агент, до складу якого входить ХФВ. Тому, викидаючи старі холодильники, дбайте про те, щоб не зашкодити довкіллю.

Утилізація старого пристрою



Цей символ на виробі чи пакуванні означає, що прилад не слід викидати разом з побутовими відходами. Натомість, його слід доставити до відповідного пункту збору та утилізації електричного та електронного обладнання. Це дозволяє уникнути негативного впливу на навколишнє середовище та здоров'я людей через неправильну процедуру утилізації відходів і гарантує належне знищення приладу. Повторне перероблювання матеріалів допомагає зберегти природні ресурси. За більш докладною інформацією щодо утилізації цього приладу зверніться до місцевої адміністрації, служби утилізації побутових відходів або до магазину, в якому він був придбаний.

Зверніться до муніципальної влади стосовно виконання Директиви ЄС про відходи електричного та електронного устаткування, з метою повторного використання, перероблювання та відновлення.

Примітки:

- Уважно прочитайте цю інструкцію перед встановленням та використанням приладу. Виробник не несе відповідальності за збитки, що сталися через неналежне використання приладу.
- Дотримуйтеся всіх вказівок, наведених на приладі та в посібнику, та зберігайте цей посібник в надійному місці, щоб мати змогу звернутися до нього в майбутньому для вирішення можливих проблем.
- Цей прилад призначений для побутового використання. Він може використовуватися лише в домашньому господарстві та за своїм призначенням. Він не призначений для комерційного чи загального користування. Таке використання призведе до скасування гарантії на прилад, і компанія-виробник не нестиме відповідальності за можливі збитки.
- Цей прилад призначений для побутового використання і придатний лише для охолодження та зберігання харчових продуктів. Він не призначений для комерційного чи загального користування та/або зберігання речовин, відмінних від харчових продуктів. Компанія-виробник не несе відповідальності за збитки, що можуть статися через неналежне використання.



Попередження щодо техніки безпеки

- Для живлення приладу не використовуйте спарені розетки чи подовжувальний шнур.
- Не використовуйте шнур живлення, якщо він пошкоджений або зношений.
- Не тягніть, не гнітайте та не пошкоджуйте шнур живлення.
- Цей прилад призначений для використання дорослими, не дозволяйте дітям гратися з приладом чи кататися, висячи на його дверях.
- Не вставляйте вилку в розетку та не виймайте її вологими руками — це може призвести до ураження електричним струмом!
- Не кладіть скляні пляшки або банки з напоями у морозильну камеру. Пляшки або банки можуть розколотися.
- З метою безпеки не зберігайте у холодильнику вибухонебезпечні або легкозаймисті речовини. Пляшки з високим вмістом алкоголю необхідно щільно закрити й розташувати в холодильній камері вертикально.
- Коли дістаєте лід з морозильної камери, не торкайтеся до нього — лід може спричинити обмороження та/або порізи шкіри.
- Не торкайтеся заморожених продуктів вологими руками! Не вживайте в їжу морозиво та кубики льоду, шойно вийняті з морозильної камери!
- Розморожені харчові продукти не можна повторно заморожувати. Це може заподіяти шкоду здоров'ю, наприклад, спричинити харчове отруєння.
- Не накривайте корпус та верхню частину холодильника тканиною. Це впливає на ефективність роботи холодильника.
- Під час транспортування зафіксуйте аксесуари у холодильнику, щоб уникнути їхнього пошкодження.
- Не користуйтеся перехідниками.

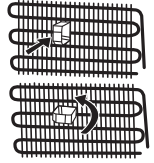
Встановлення та експлуатація холодильника

Перед використанням холодильника слід звернути увагу на викладену нижче інформацію.

- Робоча напруга холодильника становить 220–240 В за частоти 50 Гц.
- Якщо у вас немає розетки, що відповідає цим вимогам, зверніться до кваліфікованого електрика.
- Виробник не несе відповідальності за пошкодження, що сталися внаслідок використання приладу без належного заземлення.
- Холодильник слід ставити в місці, де на нього не потраплятимуть прямі сонячні промені.
- Прилад має бути розташований на відстані щонайменше 50 см від кухонних плит, газових печей та радіаторів опалення та щонайменше 5 см від електричних плит.
- Прилад не можна використовувати поза приміщенням та залишати під дощем.
- Якщо холодильник розташовано поряд з морозильним апаратом глибокого заморожування, між ними має бути відстань не менше 2 см, щоб запобігти конденсації на зовнішній поверхні.
- Необхідно, щоб вгорі над морозильною камерою вашого холодильника було щонайменше 150 мм вільного простору. Не кладіть нічого на поверхню морозильної камери.

ЧАСТИНА 1. ПЕРЕД ВИКОРИСТАННЯМ ХОЛОДИЛЬНИКА

- Слід відрегулювати висоту передніх ніжок, щоб забезпечити стійку і надійну роботу холодильника. Для регулювання ніжок їх можна прокручувати за годинниковою стрілкою (або у протилежному напрямку). Це слід зробити до того, як покладете в холодильник харчові продукти.
- Перед використанням холодильника вимийте всі деталі теплою водою з додаванням чайної ложки харчової соди, а потім промийте чистою водою і висушіть. Після чищення встановіть усі деталі на місце.
- Щоб конденсатор (частина з чорними ребрами на задній панелі) не торкався стіни, встановіть пластикові обмежувачі, повернувши їх на 90°, як показано на малюнку.

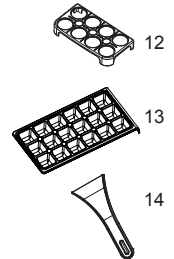
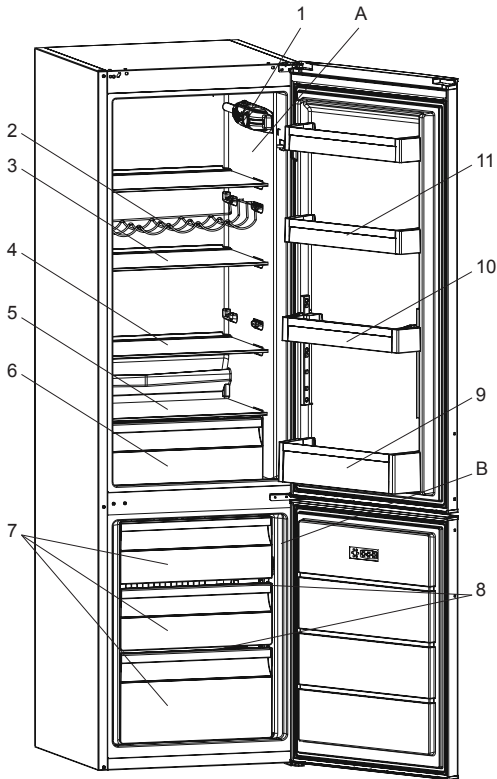


Перед використанням холодильника



- Перед першим вмиканням холодильника або після транспортування для забезпечення ефективної роботи лишіть холодильник у вертикальному положенні протягом 3 годин. Після цього його можна вмикати в розетку. Недотримання цієї вимоги може призвести до пошкодження компресора.
- При першому увімкненні холодильника може з'явитися сторонній запах. Запах зникне, коли розпочнеться охолодження.

ЧАСТИНА 2. ЧАСТИНИ ПРИЛАДУ ТА ВІДДІЛЕННЯ



Метою цього документу є виключно надання інформації щодо компонентів пристрою.
Компоненти можуть різнитися залежно від моделі виробу.

A) Холодильна камера
B) Морозильна камера

- 1) Внутрішній дисплей та панель керування
- 2) Винна шафа *
- 3) Полиці холодильника
- 4) Механізм регулювання полиць (Adapti-Shelf)
- 5) Кришка контейнера для овочів
- 6) Контейнер для овочів
- 7) Кришка контейнера для овочів
- 8) Контейнер для овочів
- 9) Полиця для пляшок
- 10) Регульована полиця на дверцятах / полиця на дверцятах
- 11) Верхня полиця на дверцятах
- 12) Форма для яєць
- 13) Лоток для льоду
- 14) Безпечний пластмасовий скребок

* У деяких моделях

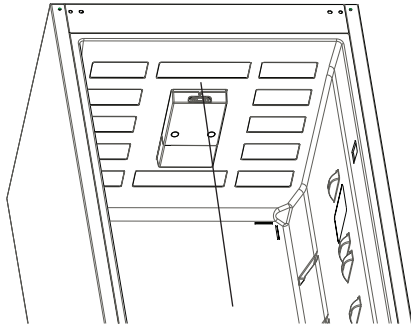
ЧАСТИНА 3. ВІДОМОСТІ ЩОДО ВИКОРИСТАННЯ

Дисплей і панель керування

Термостат морозильної камери автоматично регулює температуру всередині камери. Повертання ручки від «1» до «5» дозволяє зменшити температуру.

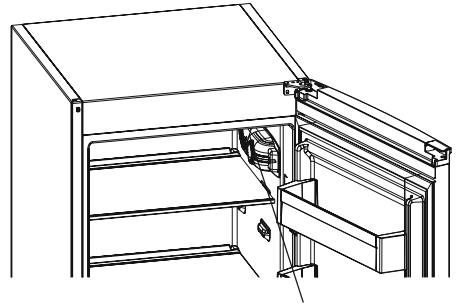
Установка термостата в морозильній камері та холодильнику:

Коли освітлення та термостат розташовані зверху



ТЕРМОСТАТИЧНЕ УПРАВЛІННЯ

Коли освітлення та термостат розташовані збоку



ТЕРМОСТАТИЧНЕ УПРАВЛІННЯ

Важлива примітка: Не повертайте ручку за положення "1" – це призведе до вимкнення пристрою.

1 – 2: Для короткострокового зберігання продуктів в морозильній камері встановіть ручку між мінімальною та середньою позиціями.

3 – 4: Для довгострокового зберігання продуктів в морозильній камері встановіть ручку у середню позицію.

5: Для заморожування свіжих продуктів. Пристрій буде працювати довше. Після отримання належної температури необхідно переставити ручку у попередню позицію.

Попередження щодо регулювання температури

- Не рекомендовано використовувати холодильник за температури навколишнього середовища нижче 10 °C із точки зору його ефективності.
- Регулювання температури слід робити з урахуванням частоти відкриття дверей та кількості продуктів у холодильнику.
- Для досягнення повного охолодження холодильник після вмикання має безперервно працювати до 24 годин за температури навколишнього середовища. У цей період не слід часто відкривати двері холодильника та класти в нього забагато продуктів.
- Щоб запобігти пошкодженню компресора, у холодильнику передбачено функцію 5-хвилинної затримки, коли його вмикають з розетки і знову вмикають, або у разі збою електроживлення. Нормальна робота холодильника розпочнеться за 5 хвилин.
- Холодильник призначений для роботи при температурах навколишнього середовища, вказаних у стандартах, відповідно до кліматичного класу, вказаного на інформаційній етикетці. Не рекомендується використовувати холодильник при температурах, які виходять за межі вказаних діапазонів, оскільки це впливає на ефективність охолодження.
- Це обладнання призначене для використання при температурі навколишнього середовища у межах 10 - 43 °C.

Кліматичний клас	Температура навколишнього середовища °C
T	Від 16 до 43 (°C)
ST	Від 16 до 38 (°C)
N	Від 16 до 32 (°C)
SN	Від 10 до 32 (°C)

Індикатор температури

Для кращого налаштування температури, холодильник оснащений індикатором температури у зоні з найнижчою температурою.

Для кращого зберігання продуктів в холодильнику, особливо в зоні з найнижчою температурою, переконайтеся, що на індикаторі температури показується «OK». Якщо повідомлення «OK» немає, це означає, що налаштування температури було зроблено неправильно.

Якщо індикатор температури горить не досить яскраво, а «OK» показується на чорному тлі, цей напис може бути складно побачити. Для того, щоб побачити цей індикатор, необхідно достатньо світла.

Кожного разу під час зміни температури пристрою, почекайте стабілізації температури всередині холодильника, перш ніж починати нове налаштування температури. Змінійте значення налаштувань температури пристрою поступово і почекайте, принаймні, 12 годин, перш ніж перевіряти їх і робити нові зміни.

ПРИМІТКА: Після декількох відкриттів (або тривалого відчинення) дверцят, або коли у холодильник були розміщені свіжі продукти, «OK» може не відображатися в індикаторі значення температури, це нормально. Якщо на випарнику холодильного відділення (через перевантаження пристрою, високу температуру в приміщенні, часте відкриття дверцят) утворилися кристали льоду (вони з'являються на нижній стінці приладу), переведіть перемикач температури приладу у нижче положення, коли знову почнеться період вимкнення компресора.



ЧАСТИНА 3. ВІДОМОСТІ ЩОДО ВИКОРИСТАННЯ

Розміщення продуктів в зоні з найнижчою температурою



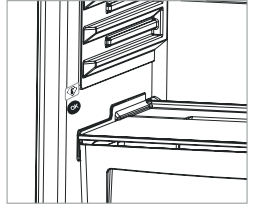
Збереження продуктів виконуватиметься найкращим чином, якщо розмістити їх у найбільш відповідній зоні охолодження. Зона з найнижчою температурою знаходиться відразу над контейнером.

Цей символ вказує на зону з найнижчою температурою.

Для того, щоб температура у зоні була найнижчою, переконайтеся, що полиця розташована на рівні символу, як це показано на малюнку.

Верхня межа зони з найнижчою температурою вказана на нижній частині наліпки (вістря стрілки). Верхня полиця зони з найнижчою температурою повинна бути на однаковому рівні з вістрям стрілки. Зона з найнижчою температурою знаходиться нижче цього рівня.

Оскільки полиці відділення знімаються, переконайтеся, що вони розміщені на одному рівні з обмеженнями зони, вказаними на наліпках. Це гарантує, що в цій зоні буде підтримуватися відповідна температура.



Акcesуари

Лоток для льоду

- Наповніть водою лоток для льоду й покладіть його у морозильне відділення.
- Після того як вода повністю замерзне, ви можете зігнути лоток, як показано нижче на малюнку, щоб отримати кубик льоду.



Полиця на дверцятках Adapti-Lift (У деяких моделях)

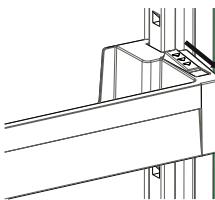


рис. 1

Для більш зручного розміщення продуктів на Adapti-Lift ви можете встановлювати полицю на шести різних рівнях висоти.

Щоб змінити положення V-Lift, підтримуйте нижню частину полиці та витягніть кнопки з боків полиці у вказаному стрілкою напрямку (рис. 1)

Відрегулюйте висоту полиці до необхідної, пересуваючи полицю догори та вниз.

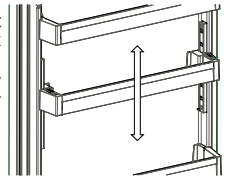


рис. 2

Після досягнення необхідного положення полиці на дверцятках відпустіть кнопки з боків полиці (рис. 2). Перш ніж відпустити полицю на дверцятках, спробуйте посунути її вгору та вниз і переконайтеся, що фіксація є надійною.

Примітка: Розміщаючи продукти на пересувній полиці на дверцятках, необхідно підтримувати її знизу. В іншому разі, полиця на дверцятках може випасти з рейок внаслідок більшої ваги. Це може ушкодити саму полицю або рейки.

Adapti-Shelf (У деяких моделях)

Механізм регулювання полиць Adapti-Shelf дозволяє простим рухом збільшити простір для зберігання.

- Щоб накрити скляну полицю, натисніть її (рис. 1).
- У додатковому просторі, що утвориться, можна покласти потрібні продукти (рис. 2).
- Щоб перевести полицю у початкове положення, потягніть її до себе (рис. 1).

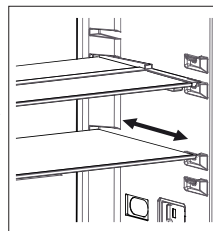


рис. 1

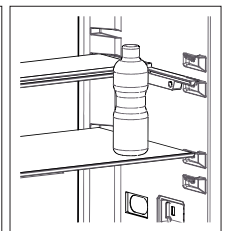


рис. 2

Графічний та текстовий зміст розділу додаткового приладдя може змінюватися залежно від моделі холодильника.

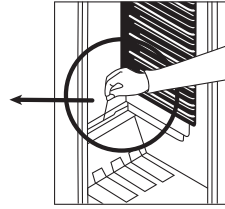
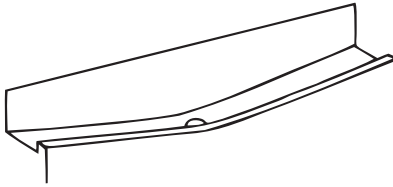
- **Вимикач усюванку від електричного живлення першою**
- Не мийте прилад розливаючи воду.
- Холодильну камеру потрібно періодично мити, використовуючи розчин бікарбонату соди і теплої води.
- Мийте комплектуючі окремо милом і водою. Не мийте їх в Машині для миття посуду.
- Не використовуйте абразивні вироби, миючі засоби або мило. Після миття, прополоскайте водою та ретельно висушіть. Коли ви завершили миття, знову включити установку сухими руками.
- Ви повинні чистити конденсатор віником, як мінімум один раз на рік для того, щоб забезпечити збереження енергії і збільшити продуктивність.

ЖИВЛЕННЯ МАЄ БУТИ ВІД'ЄДНАНО.

ЧАСТИНА 3. ВІДОМОСТІ ЩОДО ВИКОРИСТАННЯ

Розморожування

Холодильна камера;



- Розморожування холодильної камер відбувається автоматично протягом роботи; вода внаслідок розморожування збирається у піддон і автоматично випаровується.
- піддон і отвір для стоку води внаслідок розморожування потрібно чистити періодично дренажною пробкою розморожування, щоб перешкоджати збору води внизу холодильника, запобігаючи її витіканню.

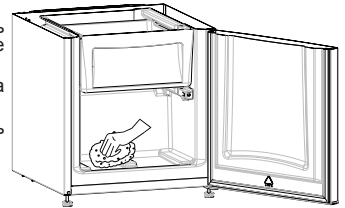
Морозильна камера;

Лід, що утворюється у морозильній камері, потрібно періодично видаляти. (Використовуйте безпечний пластмасовий скребок) Морозильну камеру потрібно чистити так само, як і холодильну камеру, з розморожуванням камери, як мінімум, двічі рік.



Для цього;

- Напередодні розморожування, встановіть шкалу термостата на положення "5", щоб повністю заморозити продукти.
- Протягом розморожування, замерзлі продукти потрібно обгорнути декількома шарами паперу і тримати їх в прохолодному місці. Неминуче підвищення в температурі скоротить їх термін зберігання. Пам'ятайте, що ви маєте використати ці продукти за короткий період часу.
- Встановіть кнопку термостата в положення «*» або вимкніть пристрій; залиште двері відчиненими, поки камера повністю не розморозиться.
- Щоб прискорити розморожування, в морозильну камеру можна поставити один або кілька резервуарів з теплою водою.
- Ретельно висушіть внутрішню частину пристрою і встановіть кнопку термостата в МАКСИМАЛЬНЕ положення.

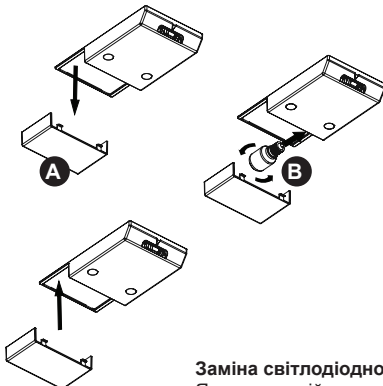


Заміна лампочки

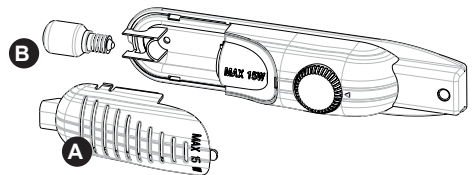
Замінюючи лампочку холодильної камери;

1. Від'єднайте пристрій від електроживлення
2. Натисніть гачки на сторонах кришки лампочки і зніміть кришку лампочки.
3. Замініть стару лампочку новою не більш ніж 15 W.
4. Установіть кришку і через 5 хвилин увімкніть пристрій.

Коли освітлення та термостат розташовані зверху



Коли освітлення та термостат розташовані збоку



Заміна світлодіодної лампи

Якщо пристрій має світлодіодні лампи, які потребують заміни, зверніться по допомогу у сервісний центр або до кваліфікованого фахівця.

ЧАСТИНА 4. ЗБЕРІГАННЯ ПРОДУКТІВ У ХОЛОДИЛЬНИКУ

Холодильна камера

- Щоб зменшити вологість і уникнути наморозі, не зберігайте у холодильнику рідини у відкритих контейнерах.
- Теплі і гарячі продукти перед зберіганням у холодильнику слід охолодити. Це допоможе заощадити електроенергію.
- Щоб уникнути намерзання, переконайтесь, що нічого не торкається задньої стінки пристроя.
- У нижній найпрохолоднішій секції холодильника рекомендується зберігати продукти, які мають короткий термін придатності. Наприклад, рибу, готові страви, хлібобулочні або молочні вироби. На верхній полиці дверцят рекомендується зберігати масло або сир.
- Плоди та овочі можна зберігати на решітці без пакування.

Морозильна камера

- Морозильне відділення використовується для зберігання свіжоморожених продуктів, заморозки свіжих продуктів та виготовлення кубиків льоду.
- Щоб забезпечити максимальну місткість морозильної камери, у верхньому та середньому відділах морозильної камери слід встановлювати скляні полиці. У нижньому відділі слід встановити нижній кошик.
- Не кладіть продукти, які збираєтесь заморозувати, поруч із замороженими раніше продуктами.
- Продукти, які потрібно заморозити (м'ясо, фарш, рибу тощо) слід укладати, розділивши на порції, які можна спожити за один раз.
- Заморожуючи свіжі продукти (наприклад, м'ясо, рибу і начинку для пирога), поділіть їх на порційні частини.
- Ніколи не кладіть теплі продукти в морозильне відділення. Оскільки вони будуть погано впливати на заморожені продукти.
- Слід суворо дотримуватися інструкцій на пакуванні із замороженою продукцією. Якщо інформація зі зберігання не надається, заморожена їжа не повинна зберігатися у морозильній камері довше 3-х місяців від дати придбання.
- Під час зберігання заморожених продуктів слід суворо дотримуватися умов зберігання, зазначених на їхній упаковці. Якщо на ній нема жодних пояснень, такі продукти слід спожити якнайшвидше.
- Якщо всередині упакування заморожених продуктів відбулося зволоження і чути неприємний запах, це може бути ознакою гниття внаслідок зберігання за невідповідних умов. Не купуйте такі продукти!
- Термін зберігання заморожених продуктів залежить від температури у приміщенні, настройки термостата, частоти відчинення дверцят, виду продукту і тривалості транспортування з магазину до дому. Завжди дотримуйтесь вказівок, наведених на упакуванні; не перевищуйте зазначений на ній термін зберігання.
- Під час тривалого вимкнення електроенергії не відчиняйте дверцятя відсіку глибокого заморожування. У разі тривалого вимкнення електроенергії не заморозуйте продукти повторно — їх слід спожити якомога швидше.
- Зверніть увагу! Якщо після зачинення морозильної камери дверцятя не відчиняються одразу, зачекайте деякий час. Після того, як тиск вирівняється, дверцятя легко відчиняться.

Важливі вказівки:

- Розморожені продукти мають бути приготовлені, як свіжі. Не слід повторно заморозувати вже розморожені продукти.
- Смак деяких спецій та прянощів у складі продукту після тривалого зберігання може погіршитися. До таких спецій належать аніс, базилік, кріп, оцет, імбир, часник, цибуля, гірчиця, тим'ян, майоран, чорний перець тощо. З огляду на це, спеції рекомендується додавати перед заморожуванням у невеликій кількості або у повному обсязі після розмороження продукту.
- Термін зберігання продукту залежить від олії чи масла, що використовувалось під час приготування. Найпридатнішими для зберігання є страви, зготовлені на маргарині, оливковій олії чи вершковому маслі, а найгірше зберігається їжа, приготовлена на арахісовій олії і свинячому жирі.
- Рідкі продукти після кулінарної обробки слід заморозувати у пластикових контейнерах, інші продукти слід загорнути у пластикову плівку чи розкласти у пакети.

ЧАСТИНА 5. ТРАНСПОРТУВАННЯ ТА ЗМІНА МІСЦЯ РОЗТАШУВАННЯ

Переставлення дверцят

- За можливості не викидайте оригінальне пакування і пінопласт — вони можуть знадобитися для перевезення у майбутньому.
- При повторному транспортуванні слід закріпити холодильник за допомогою товстих прокладок, стрічок або міцних мотузок. Дотримуйтеся інструкцій щодо транспортування, наведених на пакуванні.
- Вийміть змінні частини (полиці, додаткове приладдя, контейнери для овочів тощо) або закріпіть їх у холодильнику стрічкою, щоб уникнути ударів під час транспортування та зміни місця розташування.

ЧАСТИНА 6. ПЕРЕД ВИКЛИКОМ СЕРВІСНОЇ СЛУЖБИ

Якщо ваш холодильник працює неналежним чином, причиною цього може бути незначна несправність, тому для економії часу та збереження коштів перш, ніж викликати електрика, перевірте наступне.

Що робити, якщо пристрій не працює:

Перевірте такі причини:

Відсутність живлення;

- Вимкнений загальний вимикач у будинку;
 - Ручка термостата знаходиться в положенні «*»;
 - Розетка не працює.
- Для перевірки увімкніть в цю розетку інший прилад, у належній роботі якого ви впевнені.

Що робити, якщо пристрій працює неналежним чином:

Перевірте такі причини:

- Пристрій перевантажений
 - Ручка термостата знаходиться в положенні «1» (в цьому разі встановіть ручку термостата у належну позицію);

Дверцята закриті не щільно;

Випарювач покритий пилом;

- Недостатньо простору з тильної сторони та біля бічних стінок

У разі шуму:

- Циркуляція охолоджувального газу в холодильному контурі пристрою може створювати незначний шум (булькання) навіть тоді, коли компресор не працює. Це нормальне явище, яке не є приводом для занепокоєння. Якщо звук інший, впевніться у такому:

Пристрій належним чином вирівняний;

Ніщо не торкається тильної сторони пристрою;

- Речі на холодильнику вібрують.
 - Якщо в нижній частині холодильника збирається вода,
 - Перевірте такі причини:
 - Зливний отвір для талої води не забитий брудом (Скористайтеся пробкою зливної отвору, щоб його очистити)

Рекомендації

- Цей прилад призначений для побутового використання і придатний лише для використання у домашньому господарстві за призначенням. Він не призначений для комерційного чи загального користування. Якщо покупець використовує цей прилад іншим чином, ми наголошуємо, що виробник і продавець не несуть відповідальності за будь-який ремонт та вихід ладу протягом гарантійного терміну.
- Термін служби пристрою визначений та заявлений Міністерством промисловості та складає 10 років.

ЧАСТИНА 7. ПОРАДИ ЩОДО ЕКОНОМІЇ ЕНЕРГІЇ

- 1– Встановлюйте прилад в прохолодному, добре провітрюваному приміщенні, не під прямим сонцем і не поруч з джерелами тепла (радіатори, плити і т. п.). Інакше використовуйте теплоізоляційні пластини.
- 2– Залишайте гарячі страви та напої охолонуті до кімнатної температури.
- 3– Перед розморожуванням покладіть заморожені продукти в холодильну камеру. Низька температура заморожених продуктів буде сприяти охолодженню холодильної камери, поки вони будуть розморожуватися. Це сприяє збереженню електроенергії. Якщо заморожені продукти просто витягнути з морозильної камери, це призведе до втрати енергії.
- 4– Напої та рідкі продукти повинні бути закриті. Інакше вони збільшують вологість в пристрої. Це збільшує час роботи. Закриті напої та рідкі продукти також краще зберігають запах і смак.
- 5– При розміщенні продуктів та напоїв залишайте дверцята відкритими якомога коротший час.
- 6– Тримайте закритими кришки всіх відсіків пристрою з різними температурами (відсік для овочів та фруктів, відсік свіжості і т. п.).
- 7– Ущільнення на дверцятах має бути чистим та еластичним. Замініть ущільнювач, якщо він зносився.
- 8– Енергоспоживання вашого приладу заявлене для повного завантаження морозильного відділення без висувних ящиків.
- 9– Для економії енергії не використовуйте об'єм між положенням максимального завантаження та дверима вздовж межі максимального завантаження. Межа максимального завантаження також враховується для розрахунку заявленого енергоспоживання





Service & Support

Visit Our Website
sharphomeappliances.com

SHARP
Be Original.

52274248